

Operating Instructions

2023.12 Version 1
1E0A61A0 (inquiry number)

Thank you for purchasing this Takara Belmont product. Please read the Operating Instructions carefully before use and use the product correctly. Keep this booklet safe near the product so that it can be referred to promptly, and be sure to read this booklet again when necessary. If the Operating Instructions become illegible due to stains and tears, or if this booklet is misplaced, please request a copy from Takara Belmont.



This stool is for use only with the YUME series RSIII wash unit.

YUME Stool / ESPOIR Stool /M-Stool

U.S.A.

Contents of the Box (Including Accessories)

The stool unit and the Operating Instructions (this document)

Notes on the Product

This stool is for use only with the YUME series RSIII wash unit. Never use the stool in combination with any wash unit other than the YUME. Injury or malfunction may result. Do not allow anyone other than those who are familiar with treatments with the YUME to use this stool.

Safety Warnings and Precautions (items that must be followed)

■ Before using the product ...

Please be sure to carefully read the safety warnings and precautions listed below, and use the product correctly. They are intended for your safe use of the product and the prevention of harm to you or your customers, or property damage. All of the precautions shown are important details related to safety.

■ Descriptions of symbols

Please be sure to follow these precautions.



WARNING

This symbol indicates that failure to follow the instructions may result in death or serious injury.



CAUTION

This symbol indicates that failure to follow the instructions may result in injury or only property damage.



Display of danger, warnings, and precautions in general



Display for prohibition of disassembly, repair, and modification



Display for general prohibitions



Display for general mandatory action by the user

! WARNING

These safety instructions must be followed. They are intended for your safe use of the product and the prevention of harm to you or people around you, or property damage.

<p>Do not place the stool under any equipment part that goes up and down.</p> <p>Do not place the stool under the YUME wash unit. When the equipment part goes down, the stool may become caught between the equipment and the floor, resulting in injury or damage to the equipment.</p>	<p>While seated on the stool, do not operate switches.</p> <p>While seated on the stool, never operate the switches on the YUME wash unit. Your feet may be caught by the unit, or the unit may become damaged.</p>	<p>When moving the stool to another place, hold it by the base.</p> <p>When moving the stool to another place, hold it by the base. Do not hold the stool by the seat, lever, or gas cylinder. The base may fall, resulting in injury, or the stool may become damaged.</p>	<p>Avoid disassembling, repairing, and modifying the product.</p> <p>Do not allow anyone other than service technicians to disassemble, repair, or modify the wagon. Abnormal operation may result, causing injury.</p>
<p>Be extra careful when raising or lowering the seat.</p> <p>When raising or lowering the seat, be sure to check that no body parts or objects are under the seat. Otherwise, they may get caught, resulting in injury. In particular, extra attention must be paid to small children.</p>	<p>When holding the stool by the seat to move it slightly, do not lift it 2 cm or higher.</p> <p>When holding the stool by the seat to move it slightly, do not lift it 2 cm or higher. While carrying the stool, keep your feet off the space under the base. Otherwise, the base may fall, resulting in injury.</p>		
<p>Use the stool on a stable surface.</p> <p>Use the stool on a solid, flat surface. Otherwise, it may fall, resulting in injury.</p>	<p>Never place your limbs in the moving parts.</p> <p>Never place your limbs in the moving parts of the stool. Your limbs may get caught, resulting in injury or damage to the product.</p>		
<p>Whenever you sit on or get out of the stool, the seat must be in the lowest position.</p> <p>When sitting on or getting out of the stool, make sure that the seat is in the lowest position. If you sit on the stool with the seat raised, you may fall, resulting in injury or damage to the product.</p>	<p>Do not climb onto the stool.</p> <p>Never climb onto the seat of the stool. In particular, extra attention must be paid to small children. The seat may wobble, causing you to fall, or the stool may be damaged.</p>		
<p>Do not use the stool on a wet surface.</p> <p>Do not use the stool on a wet surface. The rubber leg caps may skid, causing the stool to fall. Injury or damage to the stool may result.</p>	<p>Be careful not to tilt the seat too far.</p> <p>Be careful not to tilt the seat too far. Otherwise, the base may damage the floor or may fall, causing the stool to become damaged and resulting in injury.</p>		
<p>While raising or lowering the seat, remain seated on it.</p> <p>While raising or lowering the seat, remain seated on it. Do not operate the seat with your feet off the floor. The seat may move abruptly, and you may fall and become injured.</p>	<p>Do not use the stool with a seat cover or cushion on the seat.</p> <p>Do not use the stool with a seat cover or cushion on the seat. You may slip off the seat, resulting in injury. Particularly when you are seated on the stool with the seat tilted, the stool may skid and fall, resulting in injury or damage to the product.</p>		
<p>When the seat is tilted, do not attempt to raise or lower it.</p> <p>When the seat is tilted, do not operate the lever to raise or lower the seat. You may fall, resulting in injury or damage to the stool.</p>	<p>Do not place any object on the stool or hang anything on it.</p> <p>Do not place any object on the stool or hang anything on it. The stool may malfunction, deform, become otherwise damaged, or fall, resulting in injury.</p>		

! WARNING

These safety instructions must be followed. They are intended for your safe use of the product and the prevention of harm to you or people around you, or property damage.

<p>Do not sit on the edge of the seat. While making sure where the seat is located, sit securely in the center. Do not sit on the edge of the seat or sit carelessly on the stool. The stool may fall, or you may fall off, resulting in injury.</p>	<p>Do not sit on the stool with your feet off the floor. Do not sit on the stool with your feet off the floor. You may fall, resulting in injury or damage to the stool.</p>
<p>Be careful not to let the base run over your feet. When operating the stool, be careful not to let its base run over your feet. You may fall, resulting in injury or damage to the stool.</p>	<p>Do not place your feet on the base cover. They may be caught between the base and the gas cylinder, resulting in injury or causing the base cover to deform or become otherwise damaged.</p>
<p>Do not use the stool with the rubber leg caps loosened. The stool may fall, resulting in injury or damage to the stool.</p>	<p>Do not place a heavy load on any part of the seat. Parts inside the seat may deform or become otherwise damaged, resulting in malfunction of the gas cylinder.</p>

! CAUTION

These safety instructions must be followed. They are intended for your safe use of the product and the prevention of harm to you or people around you, or property damage.

<p>Do not subject the stool to impact. Do not subject the stool to impact by bringing hard objects into contact with the stool or toppling or dropping it on the floor. Deformation of the stool or injury from the damaged stool may result.</p>	<p>Do not use the product for any purpose other than hair or beauty salon treatments. This product is for hair and beauty salon treatments. Do not use it for any other purposes.</p>
<p>When operating the stool, keep what you are wearing and carrying under control. When operating the stool, be careful not to allow what you are wearing or carrying to get caught in the stool or trapped under it. Otherwise, you may fall, resulting in injury.</p>	<p>Do not use the product with the leather upholstery, cover, or lever deformed or otherwise damaged. If the leather upholstery, cover, or lever is damaged, please contact your local Takara Belmont dealer immediately to have it replaced. Continuing to use the product with the damaged part may result in injury or malfunction.</p>
<p>Be careful not to get the stool wet. Be careful not to get the stool wet. If it gets wet, wipe off the moisture immediately. Otherwise, the product may gather rust or malfunction.</p>	<p>Wipe off any chemicals that adhere to the product If chemicals get on the surface of the seat or covering, wipe them off immediately. Otherwise, discoloration or changes in properties may result. In particular, take extra care not to stain the product with hair dye.</p>
<p>Do not drag the stool. When moving the stool to another place, do not drag it. The rubber leg caps or the floor may become damaged.</p>	<p>Handle the gas cylinder carefully. Do not lubricate the gas cylinder or let detergents get on the surface. Malfunction or rust may result, smearing your clothing.</p>
<p>Do not leave leather or PCV items or magazines on the seat. Do not allow the leather upholstery (the seat) of the stool to come into direct close contact with other leather items (such as bags), vinyl-based products, copier paper (printed sides), or printed matter (such as books and magazines). The colour or ink may transfer to the leather upholstery and leave unremovable stains on it. In particular, be extra careful not to leave bags, clothes, or magazines on it.</p>	<p>Do not subject the stool to direct sunlight or heat from space heaters. Be careful not to expose the wagon to direct sunlight or heat from space heaters. The leather upholstery, cover, or rubber parts may discolor or deteriorate, or the gas cylinder may rupture or become otherwise damaged. (The gas cylinder's operating temperature range is 0°C-45°C.)</p>

Preparation for Use

Remove the polystyrene foam held between the seat and the lever.



Put the stool in a stable place.

The stool must be placed on a solid flat surface. Otherwise, it may fall, resulting in injury or damage to the stool.

How to Use

① Locate the lever and sit down on the seat.

Note: The lever is under the marked (dotted) side of the seat.



Whenever you sit on or get out of the stool, the seat must be in the lowest position.

When sitting on or getting out of the stool, make sure that the seat is in the lowest position. If you sit on the stool with the seat raised, you may fall, resulting in injury or damage to the product.

Raising the seat:

② While rising slightly from the seat, pull the lever up by hand to unlock the seat, and keep the lever up until the seat rises to the desired level.

③ When the seat reaches the desired level, release the lever to lock the seat.

Lowering the seat:

② While sitting securely on the seat, pull the lever up by hand. The seat will be unlocked and go down automatically.

③ When the seat reaches the desired level, release the lever to lock the seat.

Note: If you weigh 50 kg or less, the seat may not go down to the lowest position.

Note: If you weigh over 80 kg, the gas cylinder may not work smoothly, so be extra careful if you use the stool.



When raising or lowering the seat, make sure that it is level.

Do not raise or lower the seat when it is tilted. The base may skid, resulting in injury.



When raising or lowering the seat, make sure that you are sitting on it.

Do not raise or lower the seat when you are not sitting on it. The seat may pop up or down, resulting in injury.



When raising or lowering the seat, make sure that it is clear of obstacles.

When raising or lowering the seat, be sure to check that there are no body parts or objects under it. Otherwise, they may become caught, resulting in injury.

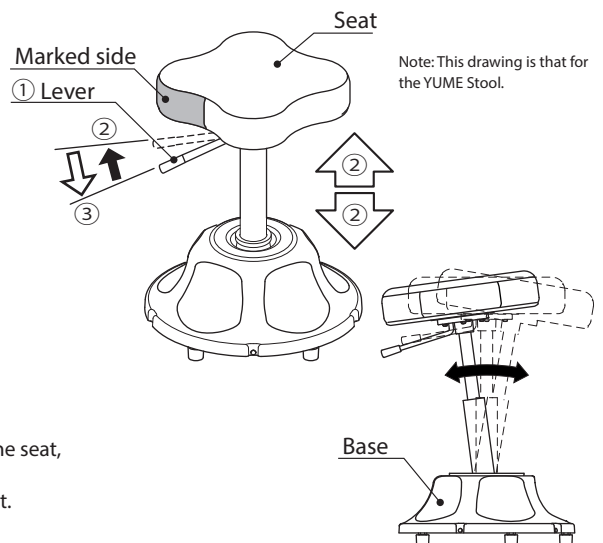
Swinging the seat:

With your feet securely on the floor, shift your entire body weight on the seat toward the desired direction to tilt the seat. With the YUME Stool, the seat can be swung on the base in any direction. With the ESPOIR Stool or the M-Stool, the seat can be swung only in one direction, or toward the front of the stool.

Note: When you swing the stool, you may hear a slight rubbing noise, but this is not a sign of abnormality. The noise is made by the spring in the mechanical section of the product. If the noise bothers you, use the stool in an orientation such that it does not make a noise.

Moving the stool to another place:

To move the YUME Stool or the ESPOIR Stool, hold it securely by the base with both hands to carry it. To move the M-Stool, either hold the handle and slightly tilt the stool to roll it on its casters; or hold the stool by the handle to lift the stool.



Moving the stool slightly:

To move the stool slightly to reseat yourself on it or in response to the movement of the YUME main unit, hold the stool by the seat to lift it a little. Do not lift the stool 2 cm or higher from the floor.

Note: While carrying the stool, keep your feet off the space under the base. Otherwise, the base may fall, resulting in injury.



Do not operate switches while seated on the stool.

While seated on the stool, never operate the switches on any instrument that goes up and down. Your feet may be caught by the unit, or the unit may become damaged.



After use, return the seat to the lowest position.

This practice will minimize possible damage to the stool and the YUME main unit in the event that the stool is caught by the YUME main unit, as well as reducing the risk of falling when sitting down on the stool.

Maintenance Method

**Metallic parts
Gas cylinder**

- Wipe gently with a dry, soft cloth.
- If the metallic parts or gas cylinder become wet, wipe off the moisture immediately. Otherwise, they may gather rust or break down.
- Do not wipe the grease off the ram. Malfunction or rust may result.

Covering

- Wipe gently with a dry, soft cloth.
- For heavy stains, wipe them off with a cloth dampened with neutral detergent mixed with water, and then be sure to wipe with a dry cloth to remove the moisture.



The following materials must not be used:

Volatile chemicals, such as thinner, alcohol, gasoline, and waxes containing abrading agent, sponges containing abrading agent and scrubbing brushes.



Do not use brushes or dish scrubbers on the product.

Do not use brushes or dish scrubbers on the leather upholstery or metallic parts. They will leave scratches or unremovable stains.

Synthetic Leather Upholstery Handling Precautions

● Adhesion of fabric dye

The synthetic leather upholstery of the product is subject to colour transfer due to contact with the clothes or belts worn by hair or beauty technicians. In the event of adhesion, wipe the dye off using diluted neutral detergent or synthetic leather cleaner as soon as possible so that the dye will not permeate the upholstery.

● Precautions against changes in properties and colour transfer due to contact

- Contact with other resin products, coated items, solvent, or adhesive tape may cause the upholstery to lose luster on the surface, crack, deform, or peel.
- Contact with newspaper or printed material may transfer the colour to the upholstery.
- Contact with benzine or alcohol may dissolve the surface or plasticizer of the upholstery; or cause the upholstery to peel, harden, soften, or undergo change in luster.
- Contact with bleach or a bleached sheet may cause the upholstery to discolor or undergo change in luster.
- Placing the stool near an iron, space heater, or other source of excessive heat may cause the upholstery to deform or discolor.
- Avoid exposure to direct sunlight, for example by drawing the curtains. Otherwise, the upholstery may shrink or undergo other change in surface.
- Do not leave heavy objects on the stool for a long time. They may leave marks or unremovable wrinkles on the upholstery.

● Synthetic leather cleaning instructions

1. Wipe with a dry cloth or a cloth dampened with water, or use a synthetic leather cleaner or a diluted neutral detergent.
2. If colour transferred from fabric or belts remains on the upholstery, wipe the dye off as soon as possible with diluted neutral detergent or synthetic leather cleaner to prevent the plasticizer from causing the dye to permeate the upholstery.
3. If you wipe with a cloth dampened with water, wipe off the moisture completely. Otherwise, the moisture left on the upholstery may accelerate hydrolysis. Do not use solvent or bleach.

Daily Inspection

The following inspection should be performed for safe use of the product.

Inspection item	Inspection frequency	Inspection method and criterion	Consequences of skipping the inspection	Action to take in the event of a problem
1. Interference with other instruments	Every use (before use)	Look around the stool to check that it is not placed under any other instrument that goes up and down.	During use, the stool may become unstable and fall.	Move the stool to a place where it does not interfere with any other instrument that goes up and down.
2. Loose rubber leg caps	Every use (before use)	Shake the entire product to check that it does not wobble or make a strange noise. Check that the metallic parts are not exposed due to the wear of the rubber.	During use, the stool may become unstable and fall. If the metallic parts are exposed, they may damage the floor.	If the rubber leg caps are loose, turn them so that they are held tightly in place. If the rubber is worn out, the rubber leg caps need replacing (for a charge). Please contact your local Takara Belmont dealer.
3. Wobbly seat	Every use (before use)	Shake the seat to check that it is not wobbly.	When you move the stool, the base may come off.	Discontinue use and contact your local Takara Belmont dealer.
4. Smooth up-and-down movement	Every use (before use)	Operate the stool to check that the seat rises to the highest position properly.	The product may not work properly, affecting salon work.	If the seat does not work properly, the gas may have leaked out. In this case, the gas cylinder needs replacing (for a charge). Please contact your local Takara Belmont dealer.
5. Wobbly handle (applicable to the M-Stool only)	Every use (before use)	Shake the handle to check that it is not wobbly.	The product may not work properly, affecting salon work.	Discontinue use and contact your local Takara Belmont dealer.
6. Wobbly casters (applicable to the M-Stool only)	Every use (before use)	Shake the casters to check that they are not wobbly.	The product may not work properly, affecting salon work.	Discontinue use and contact your local Takara Belmont dealer.
7. Swinging condition	Every use (before use)	Tilt the seat to the maximum swing angle to check that no metallic rapping noise is heard from inside the base.	The product may not work properly, affecting salon work.	The parts inside are worn out and need replacing. Please contact your local Takara Belmont dealer.
8. Appearance condition	Every use (before use)	Visually inspect the appearance to check that it is clean and not deformed or otherwise damaged.	The product may not work properly, affecting salon work.	If the product is dirty, clean it. If it is damaged, please contact your local Takara Belmont dealer.

Troubleshooting

If any of the following problems occur, check the following possible causes before calling for service:

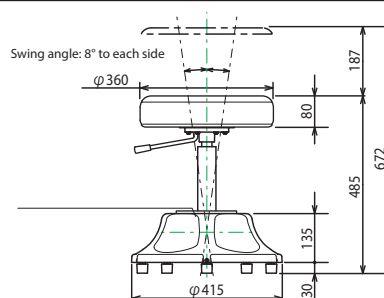
Symptom	Possible causes	Corrective action
● Pulling the lever up does not unlock the seat.	→ Some object may be stuck at the base of the lever. Some object may be caught on the lever.	• Remove the object that is stuck at the base of the lever or is caught on the lever.
● The seat does not swing.	→ Some foreign object may be underneath the base. The base may be placed on an object.	• Remove the foreign object that is underneath the base. • Move the stool to another location.
● The seat does not go down.	→ You may not be sitting on the seat during operation. You may be seated on the edge of the seat during operation.	• Sit on the seat in the center and place your entire body weight on the seat during operation.
● The casters do not roll smoothly. (Applicable to the M-Stool only)	→ Some foreign object may be caught by the casters.	• Remove the foreign object from the casters.

Note: If you weigh 50 kg or less, the seat may not go down.

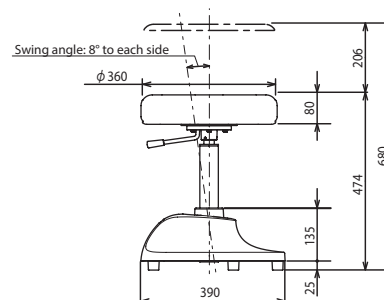
If the possible causes are not related to the problem and taking the corrective action does not bring the product back to normal operation, please contact your local authorised Takara Belmont dealer.

Specifications

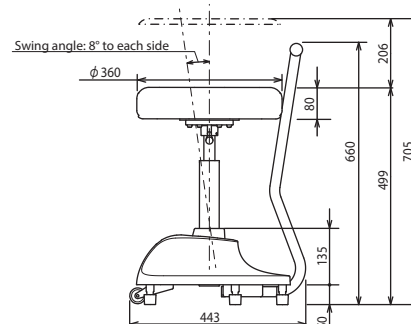
Model number	EX-YMST
Drive system	Hand-operated gas cylinder
Outer dimension	415mm×415mm×485mm (W × D × H)
Elevating length	187mm
Maximum swing angle	8° from the vertical
Weight	15kg
Environment of use	0°C to 45°C



Model number	EX-ESST
Drive system	Hand-operated gas cylinder
Outer dimension	360mm×390mm×474mm (W × D × H)
Elevating length	206mm
Maximum swing angle	8° ± 1° from the vertical to the front
Weight	10 kg
Environment of use	0°C to 45°C



Model number	EX-MST
Drive system	Hand-operated gas cylinder
Outer dimension	360mm×443mm×660mm (W × D × H)
Elevating length	206mm
Maximum swing angle	8° ± 1° from the vertical to the front
Weight	12.5 kg
Environment of use	0°C to 45°C



Standard Period of Use

The standard period of use for this product is three years.

Standard period of use is defined as "a guideline for the standard period of using the product without any problems in safety under standard conditions of product use with appropriate maintenance and inspection (including replacement of parts) performed." Please be advised that this is not an indication of the guarantee period.

Disposal of the Product

When disposing of the product or replaced parts, waste should be processed appropriately according to current laws and regulations in your country.



WARNING

California Proposition 65

Cancer and Reproductive Harm - www.P65Warnings.ca.gov.