

REINE II

Model No. ●Chair

- Cil SC-NA121 (available for facial treatment)
- Una SC-NA122 (exclusive for nail services)
- Cammy SC-NA123 (available for hair services)

●Foot Wagon

EA-NA121F

●Optional Table

EA-NA121T

Operating Manual

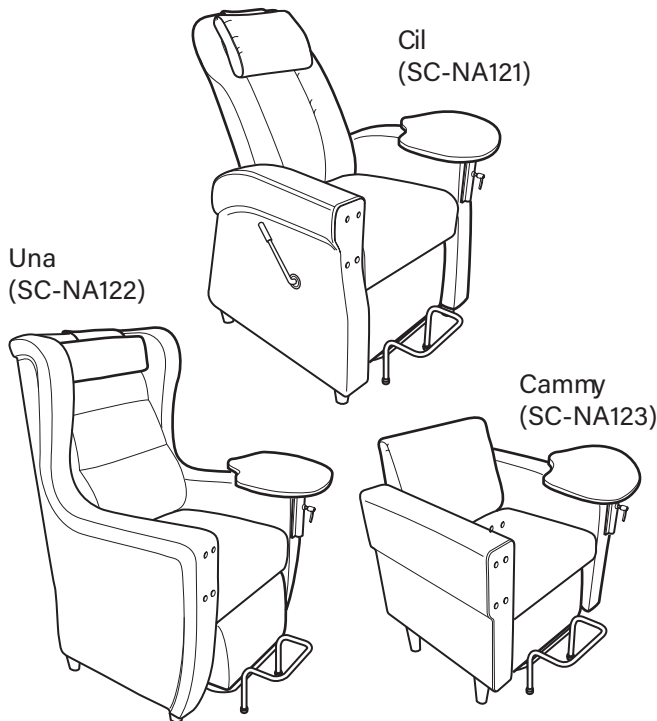


Table of Contents

Description of Warning Symbols	1
Safety Precautions	1
Precautions for Use	3
Position of Warning Labels	4
Packaging	4
Names of Parts	5
Before Using This Product	6
How to Use	7
Notes for Use with Upholstery (Synthetic and Natural Leather)	10
About This Product	10
Consumable Supplies	11
Standard Duration of Use	11
Disposing of This Product	11
After-Sales Service	11
Specifications	12

Thank you for purchasing this TAKARA BELMONT product.

Please read through this manual carefully before installing or using the product to ensure correct use.

Failure to read the operating manual may lead to accidents. This product is designed for commercial use at nail salons, barbers, or beauty salons. Do not use this product for purposes other than the practices and services in these places.

Keep this operating manual in a safe place for your future reference when required.

Please contact the nearest dealer or Takara Belmont directly in case your operating manual is unreadable due to being soiled or ripped.

Description of Warning Symbols

■ Precautions listed here



The precautions listed here are to ensure that this product can be used safely, and to prevent any danger or risk to the person using this product or those around them.




These precautions are important for ensuring safety. Adhere to these precautions at all times.

Takara Belmont is not responsible for any damage or risk to the person using this product or those around them due to accidents if this product is used without adhering to the "Safety Precautions" and "Precautions for Use." In this case, the person failing to adhere to the "Safety Precautions" and "Precautions for Use" will be responsible for any damage or risk incurred. Detailed descriptions of symbols are provided below.






Read and understand these symbols thoroughly before reading this manual.

■ Symbols











Classification	Severity and urgency level of harm and damage
 Warning	This symbol warns the user that "ignorance of this display and improper use may cause death or serious personal injury."
 Caution	This symbol warns the user that "ignorance of this display and improper use may cause slight to moderate personal injury or property damage."

	General	Common danger, warning, and caution notifications
	Prohibited	Common prohibited actions
	Instruction	Guidance or instruction regarding common user actions





Safety Precautions (be sure to observe them)

 Warning	
 Do not apply an unnecessary load on the backrest. This product is designed for use for nail services and hairdressing services. When the backrest is fully reclined, do not apply an unnecessarily heavy load. The chair may tip over or break.	 Do not insert your hands or legs in the gap between the backrest and the seat. Also, do not insert your hands or legs in the gap between the reclining lever and the armrest. Failure to follow this instruction may result in being pinched by the chair and may cause bodily harm when reclining the chair.
 Do not climb onto parts other than the seat. Do not sit on or climb onto the backrest or the armrest. The chair may tip over or break.	 Care must be taken when reclining the chair. Make sure that there are no people or objects around the chair before reclining the chair. Failure to follow this instruction may cause injury.

 **Warning**

<p> Do not climb on the foot wagon, foot cushion, or optional table.</p> <p>Do not climb on, lean on, or apply excessive force to these parts. Failure to follow this instruction may damage the product or cause it to fall over.</p>	<p> Install on a stable area.</p> <p>Install the main unit on a flat, firm floor, and fix it securely. Failure to follow this instruction may cause the main unit to fall over.</p>
<p> Carry the chair by two persons or more.</p> <p>When carrying the chair, the chair must be held by two persons or more. Failure to follow this instruction may cause injury or product breakage.</p>	<p> Pay attention to the footrest when getting on or off the chair.</p> <p>Do not allow your customer's foot to be trapped by the footrest when getting on or off the chair. Failure to follow this precaution cause the customer to tumble, resulting in injury.</p>
<p> Disassembly and repairs/modifications are prohibited.</p> <p>Disassembly, repairs, and modifications must not be conducted by anyone other than qualified repair technicians. Failure to follow this instruction may cause abnormal operation, resulting in injury.</p>	<p> Pay attention to handling the footrest as follows.</p> <ul style="list-style-type: none"> • Do not step up to the tip of the footrest. • Pay attention to the footrest when getting on or off the chair. • Do not apply excessive weight to the footrest. Failure to follow the above instructions may cause the footrest or foot wagon to fall over or break, resulting in injury.
<p> Pay attention to handling the foot wagon as follows.</p> <p>Take care not to pinch the foot and hand when pulling the foot wagon.</p> <ul style="list-style-type: none"> • Do not lift and drop the foot wagon. • Do not apply excessive loads of more than 20 kg. <p>If the above precautions are not followed, it may cause the breakage of the foot wagon, resulting in injury.</p>	<p> Observe the following when using the optional table.</p> <ul style="list-style-type: none"> • Be sure to lock the lock lever when the customer gets on and off. • Take care not to pinch the hand between the optional table and the armrests. • Do not apply excessive loads of more than 15 kg. If this is the case, there is a risk that the optional table may move unexpectedly, resulting in injury.
<p> Stop using when an abnormal condition is encountered.</p> <p>If an abnormal situation is encountered, stop using it and contact the nearest dealer or Takara Belmont directly.</p>	<p> Do not remove the seat cushion.</p> <p>Do not remove the seat cushion. The seat may move or fall, resulting in injury.</p>

 **Caution**

<p> Do not put any heavy weight on the seat or the backrest.</p> <p>Doing so may cause malfunction or damage.</p>	<p> Do not wipe the chair with chemicals or apply heat to it.</p> <p>Do not use thinner, acetone, alcohol, or other chemicals or apply heat from hair dryers and so on. Failure to follow this precaution may cause deterioration or discoloration.</p>
<p> Immediately wipe off any water deposits.</p> <p>If water is spilled on the upholstery or the foot wagon, remove it immediately. Failure to follow this precaution may result in deterioration or discoloration.</p>	<p> Do not drag when moving the chair.</p> <p>When moving the chair, carry the chair. Failure to follow this precaution may cause damage or discoloration of the floor by the chair legs.</p>



Caution



Confirm if the screws are attached firmly when using the table.

When using the optional table, be sure to check that the screws are not becoming loose. If this instruction is not followed, the screw may come off during the operation, resulting in injury.



Attach the foot cushion in the correct direction.

Attach the foot cushion in the correct direction. If it is attached in the wrong direction, it may fall during the operation, resulting in injury.



Do not hit the product hard.

Do not hit or scratch the equipment hard. It may result in damage to the product, resulting in injury.



Do not lean on the chair.

Do not lean on the chair. It may cause the chair to fall over, resulting in injury.



Do not place any objects on the seat.

The upholstery may deform, tear, or decay. Only a person may sit in the seat.

Precautions for Use



Caution



If chemicals adhere, wipe them off immediately.

If chemicals such as nail enamel and hair color adhere, immediately wipe them off. Failure to follow this precaution may cause discoloration, deterioration of the product, or damage. Such chemicals have very strong dyeing power; therefore, even if they are wiped off immediately after adhesion, they may not be completely removed and the color may remain.



Do not use this product in contact with a hair processor.

When using this product with a hair processor, care should be taken to ensure that the chair body does not come into contact with the hair processor.



Avoid direct sunlight or heat from a heater.

Failure to follow this precaution may result in deformation, discoloration, or deterioration of the upholstery and wooden surface. Do not use this product on a heating device such as a hot carpet. There is a risk of fire.



Do not use the product outdoors.

This product is intended for indoor use only. Do not install the product outdoors or in a vehicle. Be sure to use it in salons. Failure to follow this instruction may cause product failure or breakage.



Always lock the lock lever of the optional table when in operation.

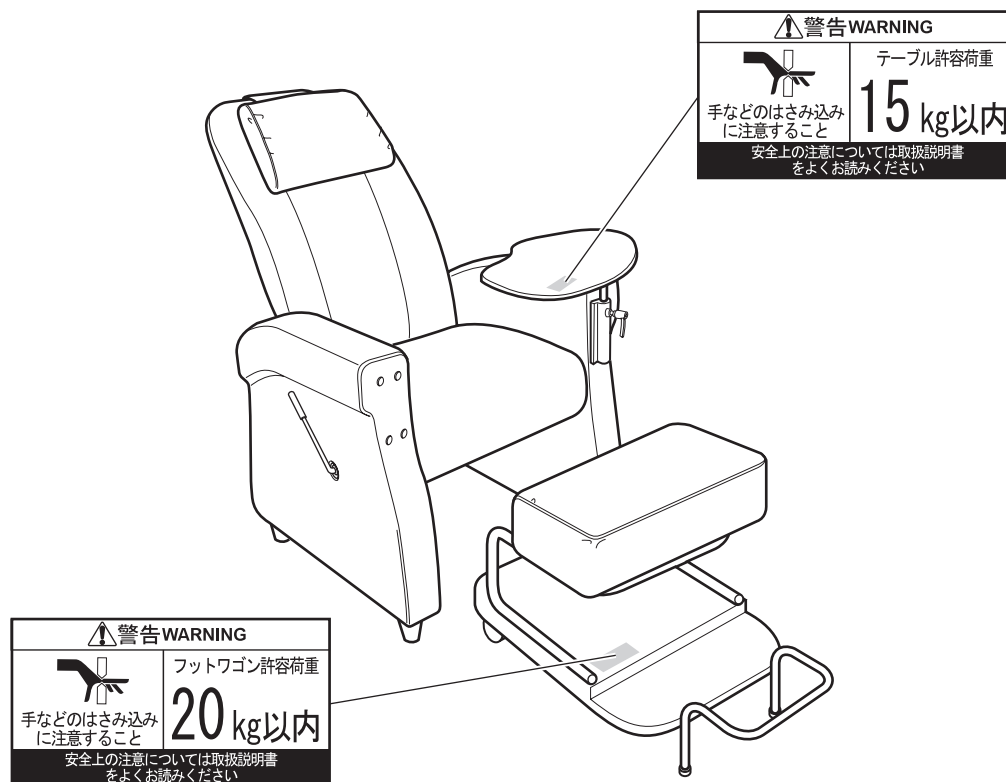
If this instruction is not followed, the optional table will move and objects on the optional table will fall to the floor, resulting in injury.



Foot wagons should be stored inside the chair when not in use.

There is a risk that the device may move unintentionally, resulting in injury.

Position of Warning Labels

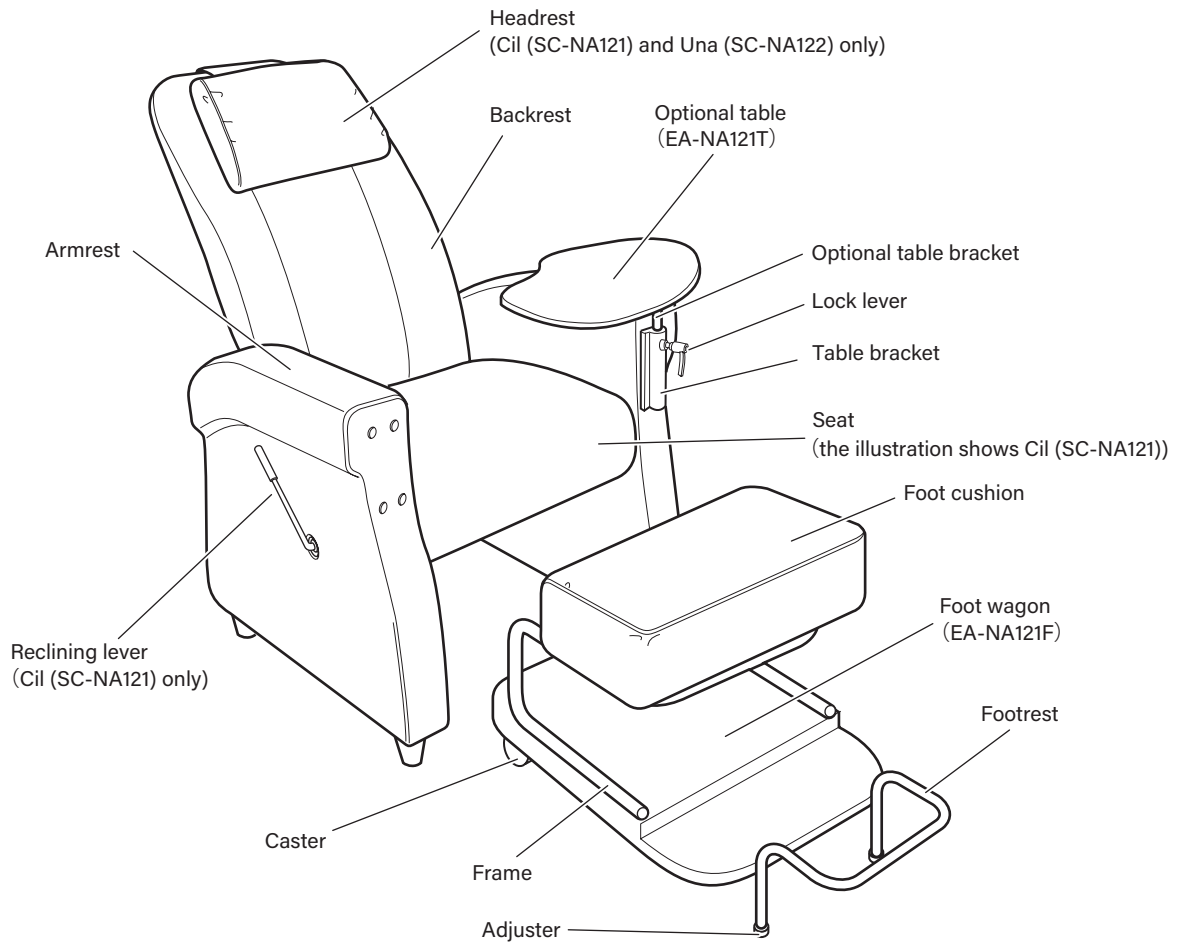


Packaging

The device is packaged as follows.
Be sure to check that all parts are included before use.

- ① Chair body + pillow (Cil (SC-NA121 and Una (SC-NA122) only) + foot cushion
- ② Foot wagon
- ③ Optional table

Names of Parts



[When the foot wagon is stored]

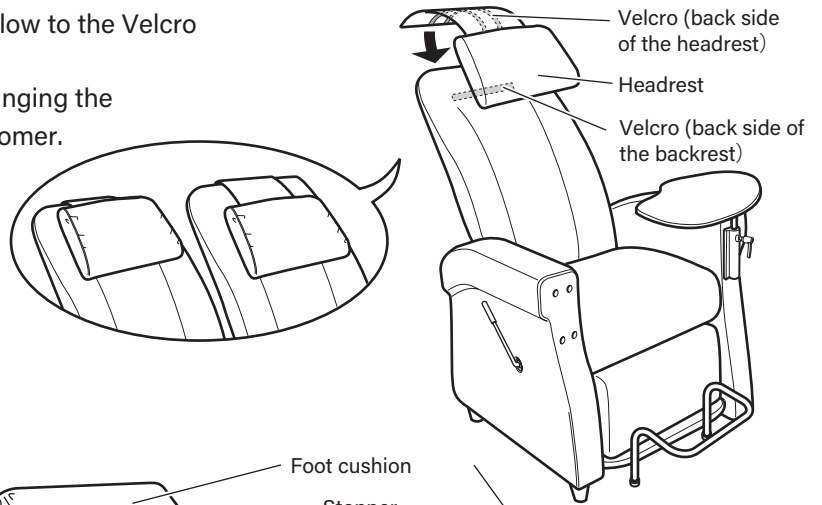


Before Using This Product

■ Attaching the pillow (Cil (SC-NA121) and Una (SC-NA122) only)

Attach the Velcro on the back side of the pillow to the Velcro on the back side of the backrest.

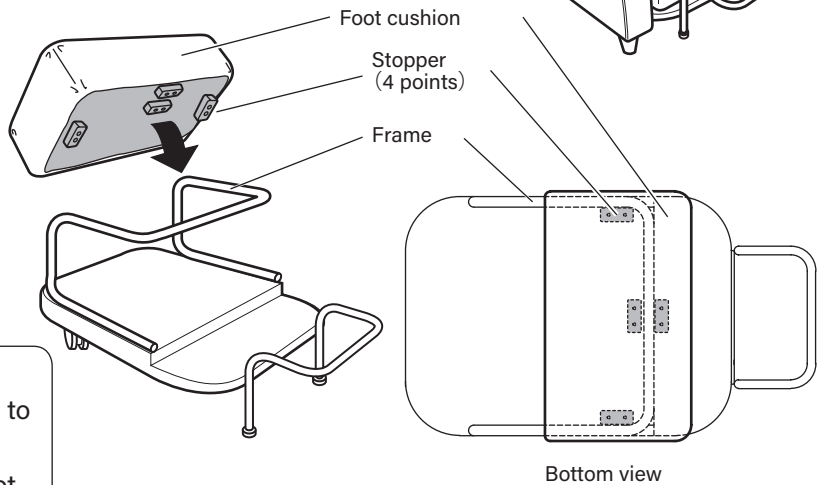
The height of the pillow is adjustable by changing the attachment position according to each customer.



■ Attaching the foot cushion

Four stoppers are attached to the back side of the foot cushion.

As shown in the illustration, attach the frame of the foot wagon into the two stoppers on the front side of the foot cushion, and attach the other two stoppers inside the frame.



Caution

Confirm that the foot cushion is firmly fixed to the frame.
If this precaution is not followed, the foot cushion may fall and cause injury.

■ Storing the chair

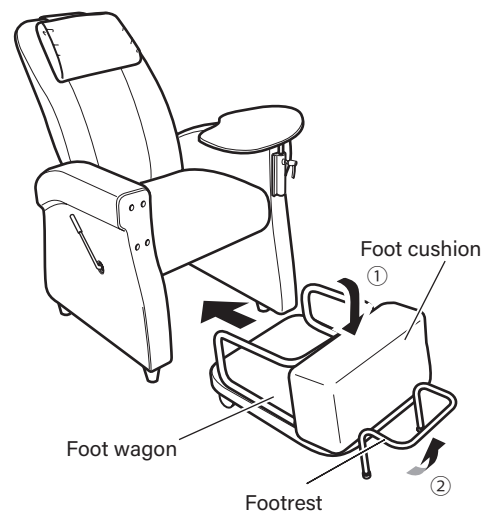
When the chair is not in use or at the end of the day, store the foot wagon and the foot cushion as follows:

- 1 Place the foot cushion vertically above the foot wagon.
- 2 Hold the footrest and store the foot wagon slowly by pushing it back while raising the front part of the foot wagon.



Caution

- Do not drag the foot wagon when you move it. It may damage the floor surface.
- When storing the foot wagon, hold the footrest, lift the front side of the foot wagon, and slowly store the foot wagon below the seat.



■ Attaching the optional table

Optional tables can be attached to both the right and left of the armrests. Refer to the Installation manual for installation.

How to Use

This product is a beauty chair developed for nail salons and beauty salons and can be used in a variety of ways according to treatment services such as hand care, foot care, and facial treatment. Use this product according to the following measures.

Ensure that the optional table is locked outward when sitting in the chair.



Caution

Before the customer sits, make sure that the optional table is directed outward and that the lock lever is locked. If this precaution is not followed, when the customer puts their hand on the table, it will turn around, resulting in a fall, accident, or injury.

■ Nail and hand care services (treatment for hands)

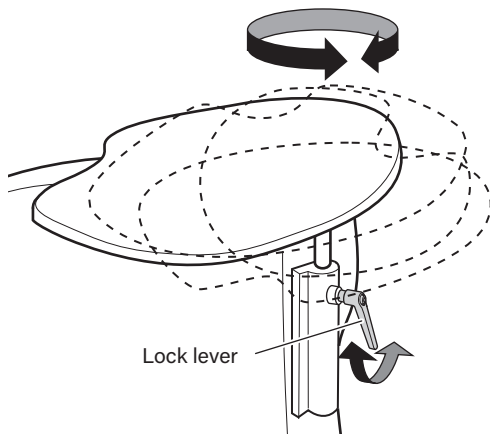
Ask your customers to place their hands on the optional table (sold separately).

The footrest of the foot wagon can be used as a footrest for customers.

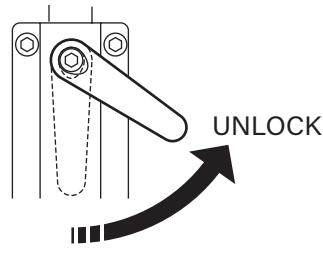


● Table rotation/fixing method

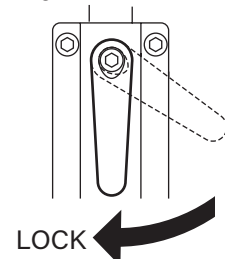
The direction of the table can be freely adjusted 360°, depending on the services and the customer. To adjust the direction, loosen the lock lever and tighten the lock lever in the desired direction to secure it.



① Turn the lock lever counter-clockwise to freely move the direction of the table.



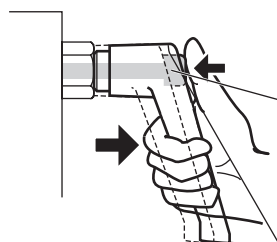
② After determining the direction of the table, fix the table by turning the lock lever clockwise.



Changing the lock lever locking position

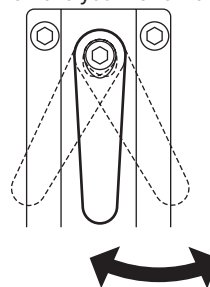
If the lock lever is difficult to turn, the fixed position can be changed by the following method.

① While pressing the lever direction adjustment button, pull the lock lever.



Lever direction adjustment button

② While keeping the lever direction adjustment button pressed in, turn the lock lever to the position you want to fix, and remove your hand from the lever.





Caution

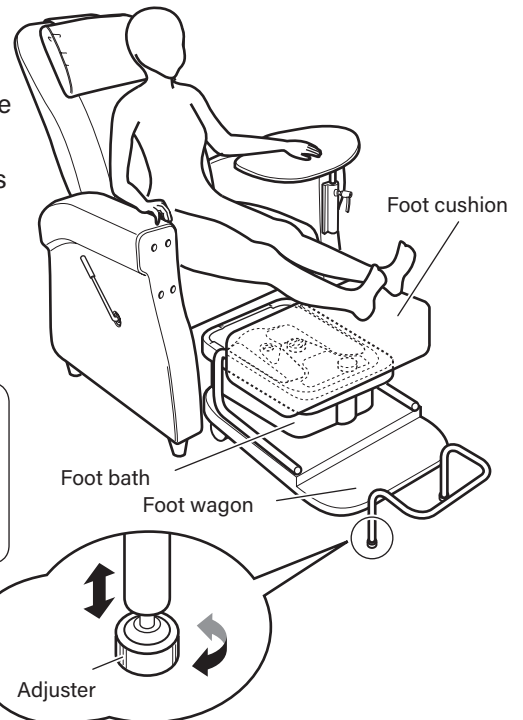
- When adjusting the direction of the optional table, be careful not to pinch your hands between the armrests.
- Be sure to fix the optional table with the lock lever.
- The loading capacity of the optional table is 15 kg. Applying excessive force may cause damage. Take special care when customers are getting on and off the chair.

■ **Pedicure and foot care services (treatment for feet)**

After setting the foot wagon, ask customers to place their legs on the foot cushion.

If the foot wagon is wobbling, ask the customer to take out their legs and use the adjuster to make the foot wagon stable.

If you are using a foot bath, you can place it on the foot wagon.



Caution

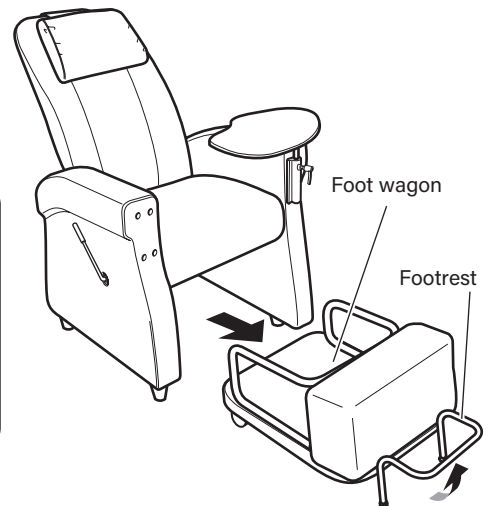
Make sure the foot cushion is firmly fixed in the frame before using it.

● **Installing the footrest**

- 1 Hold the footrest, lift the front side of the foot wagon, and slowly pull the foot wagon out from under the seat. A foot bath can be stored on the wagon in this position.

Notice

Please note that depending on the size of the foot bath, it may not be possible to store it.
 Recommended foot bath dimensions: W400 mm × H200 mm × D450 mm or smaller.
 (A width of up to 450 mm can be stored, depending on the shape of the foot bath.)



- 2 Place the foot cushion on the top of the foot wagon. (Refer to page 6, "Attaching the foot cushion.")



Warning

Do not let a customer step on the foot wagon when sitting on or rising from the seat. It may result in injury from falling.



Caution

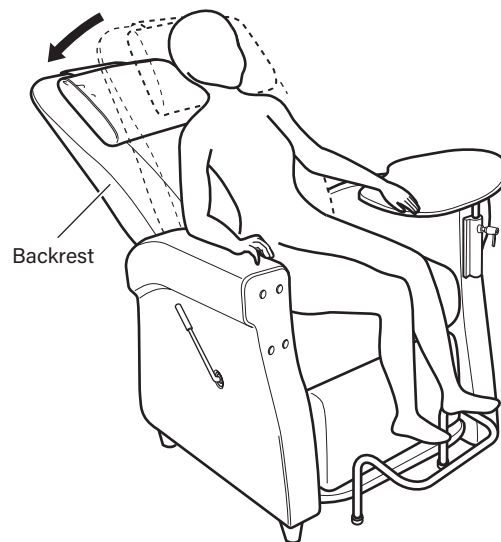
- Do not drag the foot wagon when moving it. There is a risk that the floor may be damaged.
- The foot wagon surface is vulnerable. Be careful when placing any object on it.
- The load capacity of the foot wagon is 20 kg. Applying excessive force may cause damage. Take special care when a customer gets on or off the chair.

■ Facial treatment (Cil (SC-NA121 only))

Recline the backrest and perform the treatment services with the customer lying down.

The pillow can be removed when unnecessary.

If necessary, pull the foot wagon and use the foot cushion.



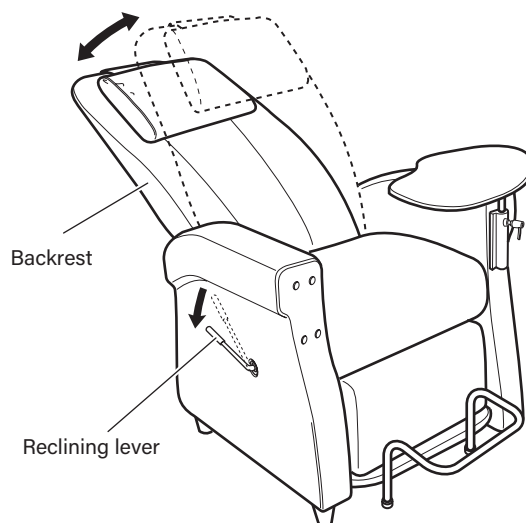
● Reclining the chair

- Lay down the backrest of the chair

While pushing the backrest downward, tilt the reclining lever on the right side of the chair body downward and allow the backrest to lie down slowly.

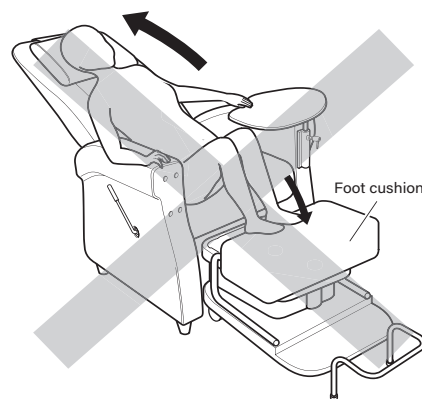
- Raise the chair back

While holding the backrest by hand, tilt the reclining lever downward and slowly raise it.



⚠ Warning

- Do not climb up by pushing the foot cushion. Failure to do so may cause the foot cushion and the foot wagon to fall over, resulting in injury.
- Reclining should be performed by the practitioner. After reclining, the practitioner should not leave the chair. Failure to do so may cause the product to fall over, resulting in injury.
- When reclining the backrest, be sure that there are no persons or obstacles behind the chair or body. Especially keep in mind that small children and pets are not under the body.
- Keep in mind that there is a risk of falling when the chair is pushed strongly from the top when the chair is reclined.
- Do not use excessive force to tilt the reclining lever or turn it in the opposite direction. Doing so may cause a malfunction or damage to the reclining lever.



Notes for Use with Upholstery (Synthetic and Natural Leather)

- **Adherence of fabric dyes**

The upholstery may be stained by coming into contact with fabric, belts, or other such attire. To avoid infiltration by plasticizer when color has adhered, apply a solution of neutral detergent diluted by about 10% to a soft towel and wipe off the color as soon as possible. After wiping off the color, wipe the area dry.

- **Caution for deterioration and color staining caused by contact**

- Contact with items such as other plastic parts, paints, solvents, and adhesive tape may cause changes to the surface sheen, cracking, deformation, or peeling.
- Contact with newspaper or printed materials may cause color staining.
- Contact with items such as benzene, polish remover, or alcohol may cause the surface to discolor, dissolve, harden, soften, peel, extract plasticizer, or experience changes to its sheen.
- Using bleach or sheets that use bleach may cause discoloration or changes to the sheen.
- When placed next to a source of excessive heat such as an iron or heater, deformation or discoloration may occur.
- Shield the upholstery with a curtain or other such items so that it does not come into contact with direct sunlight. Otherwise, surface changes, shrinkage, discoloration, or fading may occur.
- Heavy objects placed on the upholstery for long periods of time may leave an impression, and it may then be impossible to remove wrinkles.

About This Product

This product is a beauty chair designed to provide nail services and beauty services (excluding shaving) at hair salons, nail salons, and beauty salons.

When using the product, thoroughly read this Operating Manual and the Operating Manual of the processor to be used in combination, and use the product safely.

- **About leather wrinkles**

This product has some wrinkles in its chair design.

In addition, a soft cushioning material is used to provide a sense of volume to the chair. The wrinkles may spread, depending on the number of years of use or usage conditions.

 **Caution**

- This product should not be used for shaving or other procedures other than the above purposes. Failure to do so may cause a malfunction, damage, or injury.
- When using this product with a processor, care should be taken to ensure that the chair itself is not in contact with the processor. If the device is used in contact, there is a risk of discoloration and degradation of the leather.

Consumable Supplies

The following parts are “consumable supplies”; wear, degradation, changes in external appearance, and damage are expected. Please note that repair or replacement of these parts is not covered by warranty, and a fee will be charged. (The level and period of wear, degradation, or damage may differ, depending on the environment and conditions that the client uses this product in.) Inspections or replacement of parts will be required if extensive wear, degradation, or damage occurs.

Consumable parts (the following parts are not covered by the warranty; the cost of replacement is your responsibility)

	Model no.	Consumable parts
Chair	SC-NA121 / SC-NA122 / SC-NA123	Nil
Foot wagon	EA-NA121F	Caster
Optional table	EA-NA121T	Table bracket

Furthermore, flaws, contamination, deterioration, and discoloration of the exterior parts listed below are not covered by the warranty.

Standard Duration of Use

- The standard period of use of this product is seven years.
- The standard period of use is “a guide for the standard period that this product can be used properly from a safety perspective, when conducting appropriate maintenance and inspections (including replacement of parts) for the standard usage conditions for each product.” This is not the same as the warranty period.

Disposing of This Product

When disposing of this product or replaced parts, adhere to current regulations and dispose of them appropriately according to the law in your country.

After-Sales Service

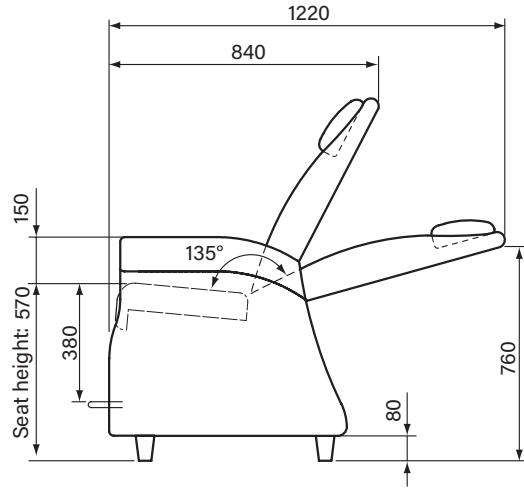
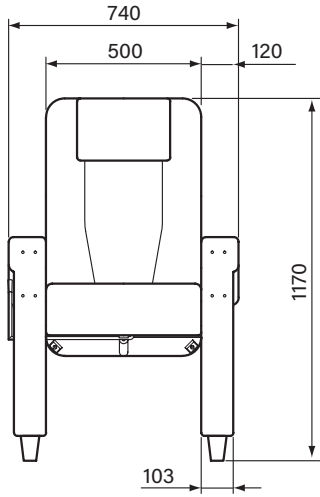
For after-sales service, contact your nearest dealer or Takara Belmont directly.

Specifications

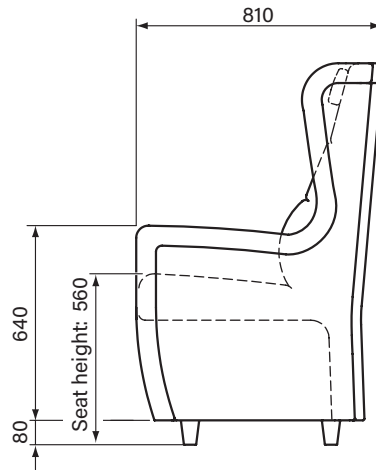
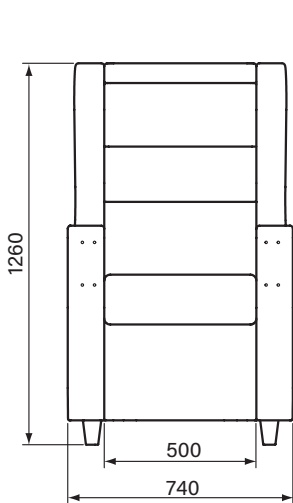
	Cil (available for facial treatment)	Una (exclusive for nail services)	Cammy (available for hair services)
Model no.	SC-NA121	SC-NA122	SC-NA123
Dimension	W740 × D840 × H1170 mm (when reclined W740 × D1220 × H810 mm)	W740 × D810 × H1260 mm	W690 × D645 × H890 mm
Weight	27 kg	31 kg	18 kg
Material	Chair upholstery: vinyl leather		

	Foot wagon	Optional table
Model no.	EA-NA121F	EA-NA121T
Dimension	Foot wagon: W440 × D750 × H368 mm Foot cushion: W460 × D270 × H140 mm	W540 × D323 × H255 mm
Maximum working load	20 kg	15 kg
Weight	Foot wagon: 12 kg Foot cushion: 2 kg	3 kg
Material	Counter: Melamine board (black)	Counter: Melamine board (white)

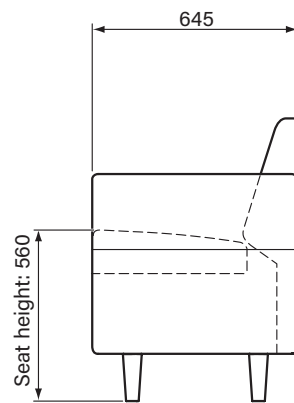
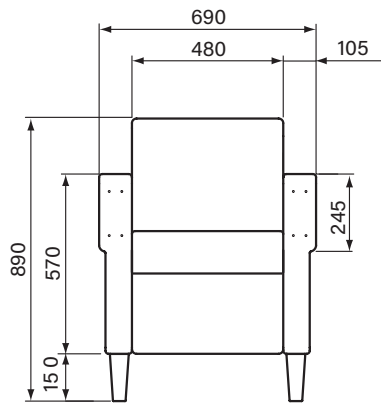
■ Chair body
Cil (SC-NA121)



Una (SC-NA122)

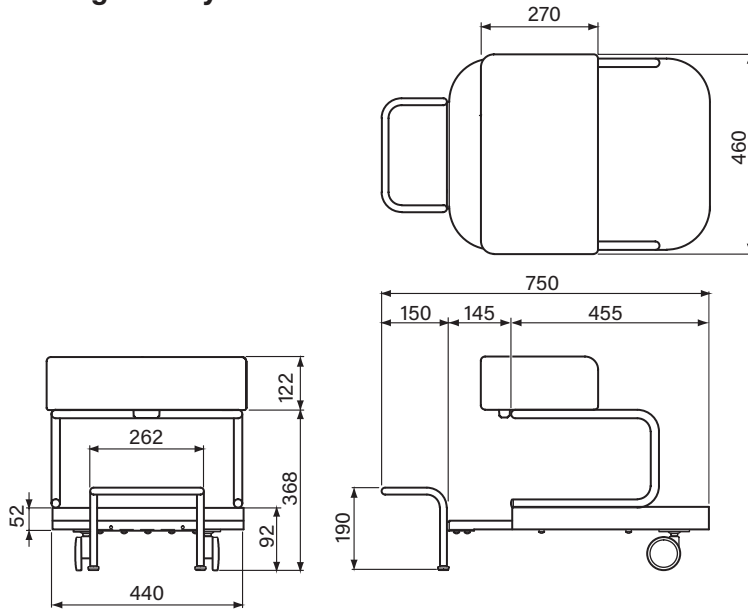


Cammy (SC-NA123)

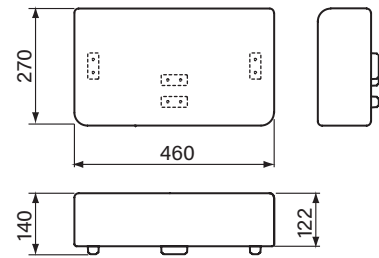


■ **Foot wagon**

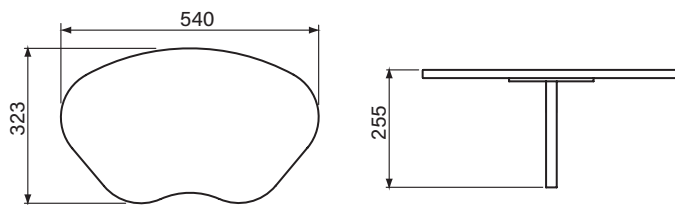
Foot wagon body



Foot cushion

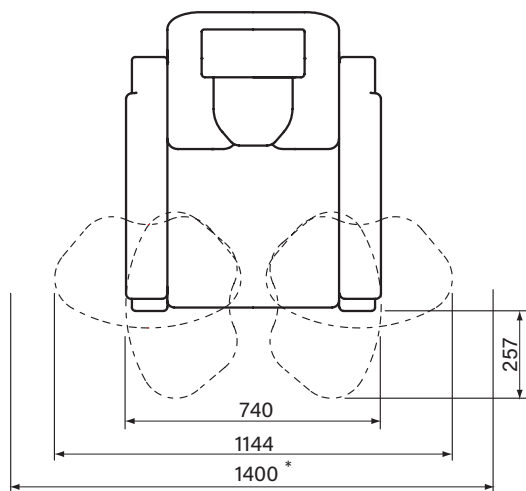


■ **Optional table**



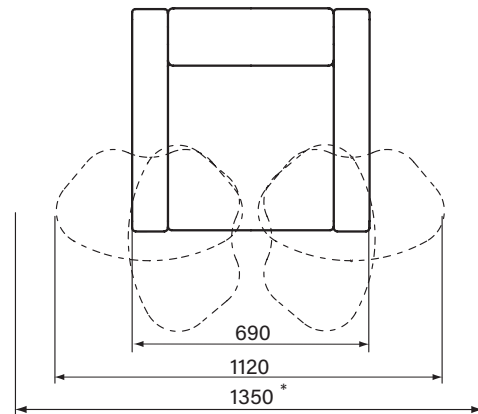
Operating range and treatment size (reference value)

Cil (SC-NA121)/Una (SC-NA122)



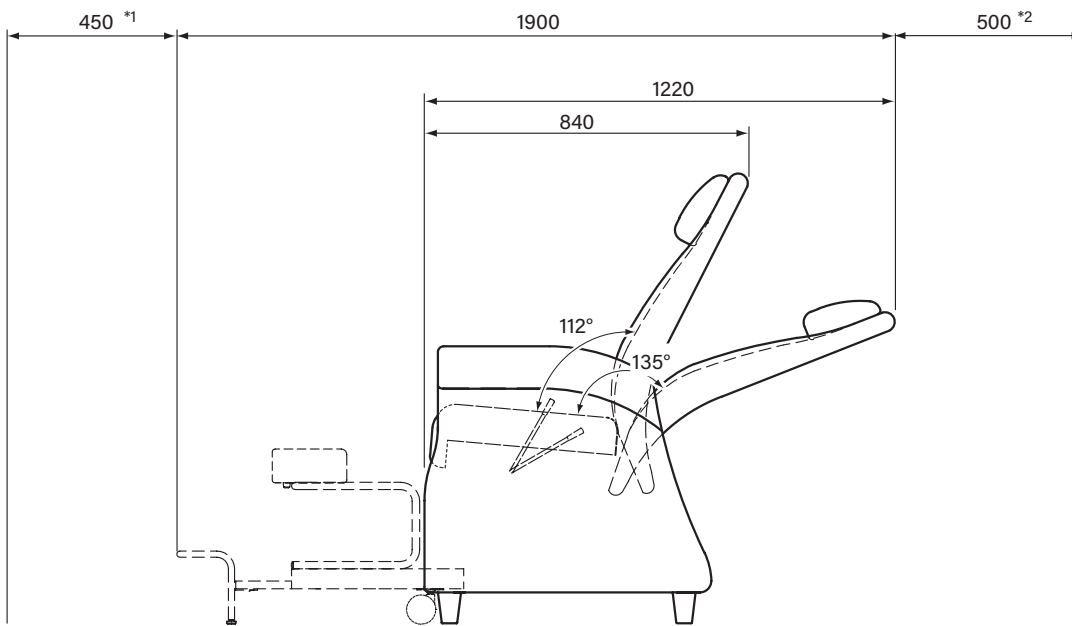
*Recommended treatment space

Cammy (SC-NA123)



*Recommended treatment space

■ Operational dimensions (reference value)



* 1 Recommended treatment space (Cil (SC-NA121)/Una (SC-NA122)/Cammy (SC-NA123))

* 2 Recommended treatment space (Cil (SC-NA121)).

**TAKARA
BELMONT**

TAKARA BELMONT CORPORATION

1-1, 2-Chome, Higashi-shinsaibashi, Chuo-ku, Osaka, Japan

TEL: (06) 6213-5945

FAX: (06) 6212-3680

Printed in Japan