

## ■ Checking the Accessories and Tools Used

The optional table comes with the following parts:

- Table × 1
- Table bracket × 1
- Lock lever × 1
- M6 hex head bolt (black) × 4
- M6 table retaining bolt × 1

Use the following tools for assembly:

- Phillips screwdriver
- Hex wrench (wrench size 4.0 mm)

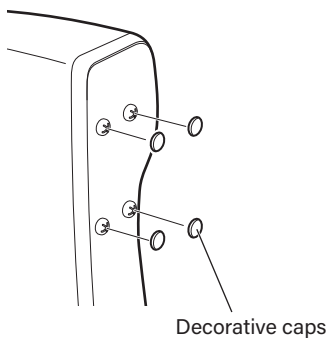
## ■ Installing the Option Table

**⚠ Caution** Work with manual tools. Use of tools such as impact drivers and electric motors may cause damage.

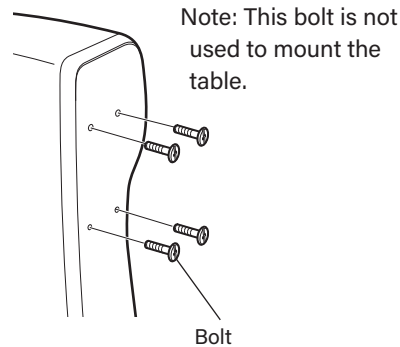


### 1 Attaching the table bracket

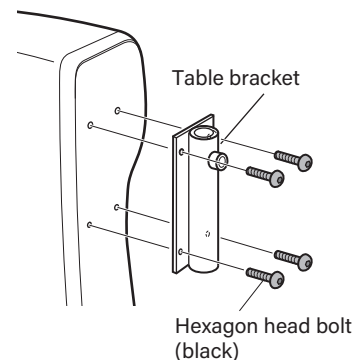
① Remove the four decorative caps from the front of the armrest.



② Remove the four bolts with the plus screwdriver.

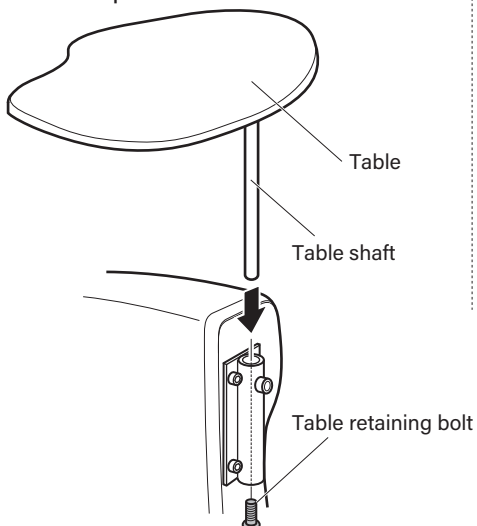


③ Attach the table bracket using the four hexagon head bolts (black) that have been provided.

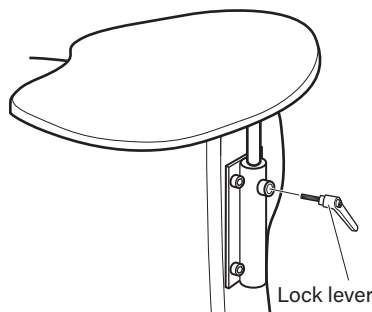


### 2 Attaching the table

① Insert the table shaft into the table bracket and attach the supplied table retaining bolt to the bottom with a plus screwdriver.



② Install the lock lever.



### 3 Direction of the lock lever

After fixing the table, the direction of the table is adjustable by using the lock lever.

(→ Refer to page 7 of the Operating Manual)

Adjust the direction of the lever to the desired position of the customer and fix it.

#### Remarks

Please return the removed "decorative cap" and "bolt" to the customer.

#### ⚠ Caution

- Before use, please explain to the customer to check that each mounting screw is tight.
- Please explain to the customer that the table should always be fixed by the lock lever.