

BEAUTY CHAIR BASE

COMPACT HILOX

SP-PB, SP-PW

SP-PSB, SP-PSW

SP-PK, SP-PV

SP-PP

Operating Manual



TABLE OF CONTENTS

1. OVERALL VIEW AND MAJOR PARTS -----	1
2. DIMENSIONS AND SPECIFICATIONS -----	2
3. PREPARATIONS	
(1) CHAIR SETTING POSITION -----	3
(2) UNPACKING -----	3
(3) PREPARATIONS -----	3
(4) SETTING UPPER SECTION -----	4
4. OPERATING INSTRUCTIONS	
(1) MAIN SWITCH -----	4
(2) CONTROLS -----	4
(3) CHAIR ROTATION -----	5
5. CARE AND MAINTENANCE -----	5

1. OVERALL VIEW AND MAJOR PARTS

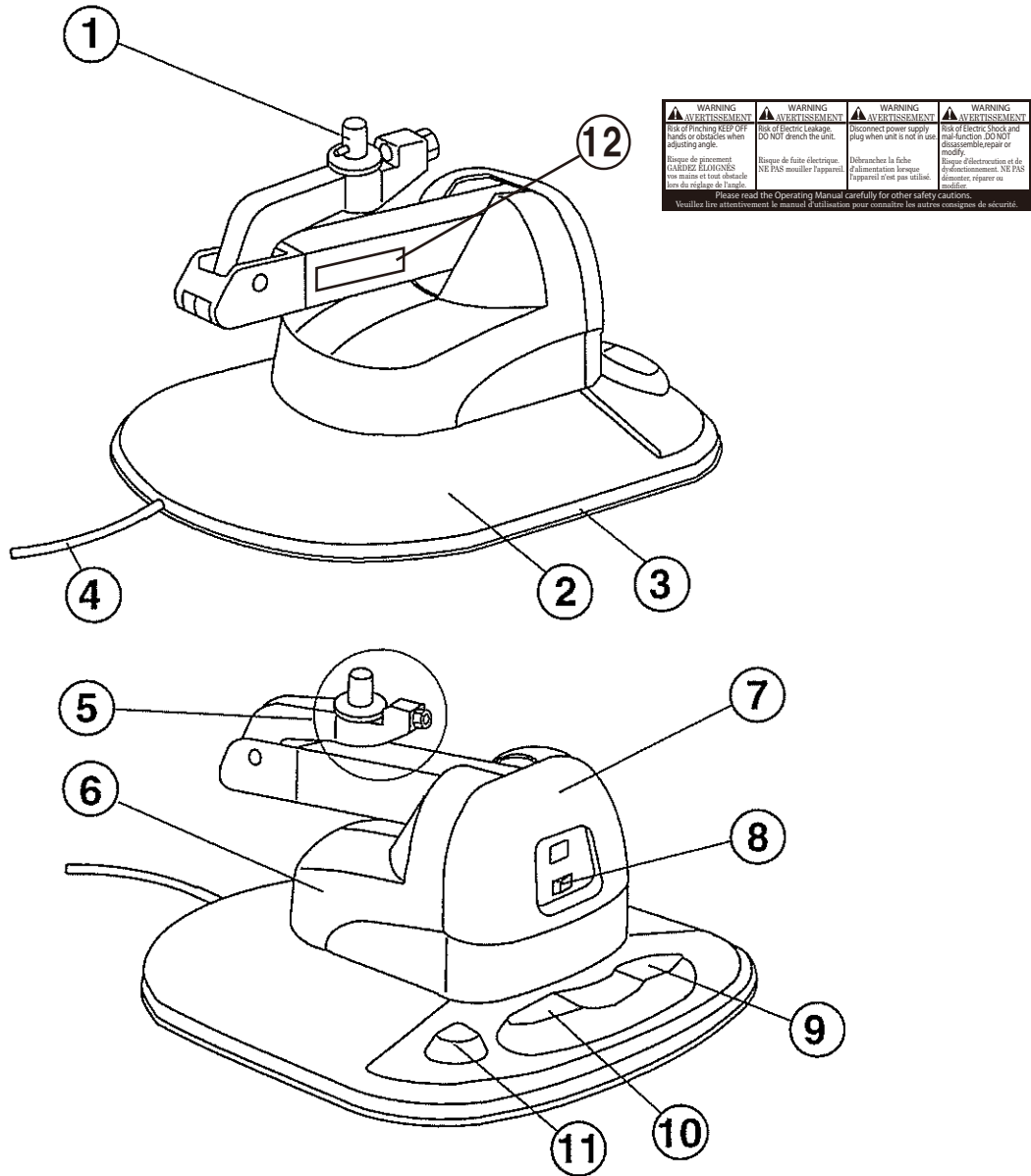


Fig.1-1 Overall View and Major Parts

MAJOR PARTS

- | | |
|-----------------------|---------------------------------------|
| 1. Rotation Shaft | 7. Rear Pump Cover |
| 2. Base Plate | 8. Main Switch |
| 3. Base Sash | 9. Up Switch |
| 4. Power Supply Cable | 10. Down Switch |
| 5. Rotation Mechanism | 11. Side Up Switch (SP-PSB, PSW only) |
| 6. Front Pump Cover | 12. Caution Label |

Note : SP-PB, SP-PSB ----- Base and Pump Cover (Dark Grey)
 SP-PW, SP-PSW ----- Base and Pump Cover (Light Grey)
 SP-PK ----- Base (Dark Grey) Pump Cover (Grey Skeleton)
 SP-PV ----- Base (Silver) Pump Cover (White Skeleton)
 SP-PP ----- Base (Pearl White) Pump Cover (White Skeleton)

2. DIMENSIONS AND SPECIFICATIONS

(1) DIMENSIONS

-mm-

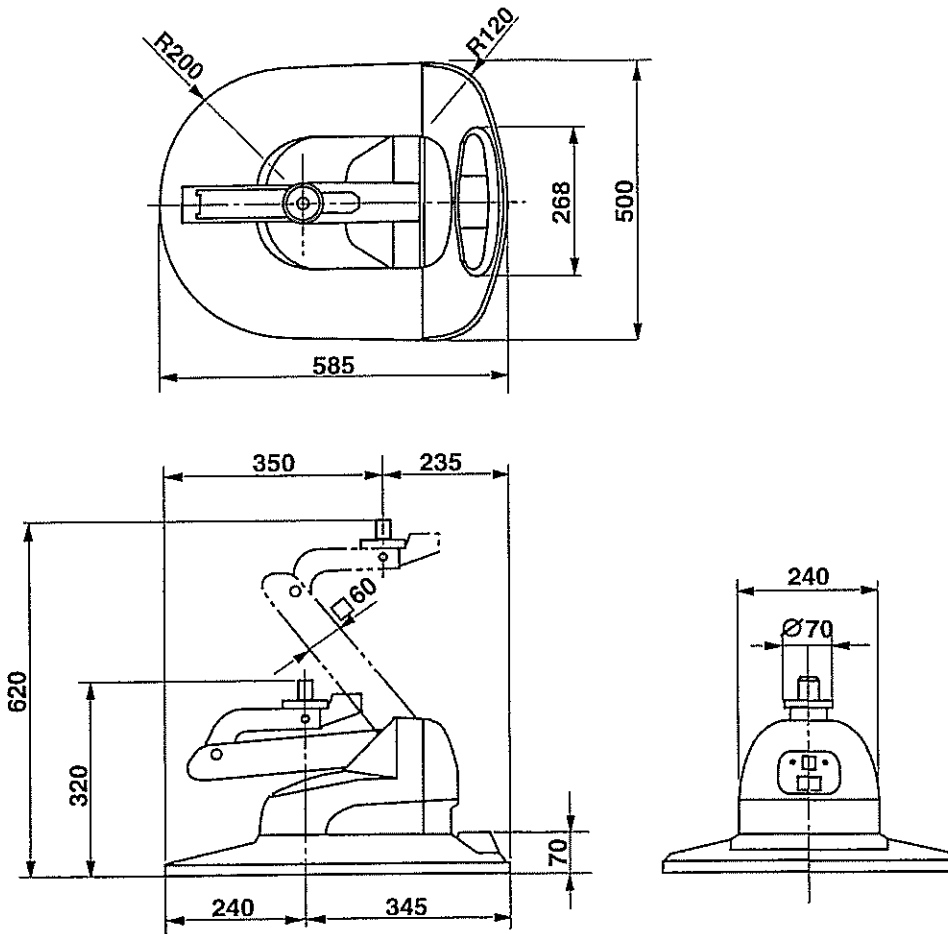


Fig.2-1 Dimensions

(2) SPECIFICATIONS

Initial Height	320mm
Stroke	300mm (320 ~ 620mm)
Power Consumption	115V, 50/60Hz, 400 / 360W 220V, 50/60Hz, 325 / 360W 230V, 50/60Hz, 350 / 380W 240V, 50/60Hz, 400 / 410W
Weight	20kg

Note : SP-PSB, SP-PSW have the side up switch for shampoo positioning.

3. PREPARATIONS

(1) CHAIR SETTING POSITION

Basic chair setting position is shown in Fig.3-1.

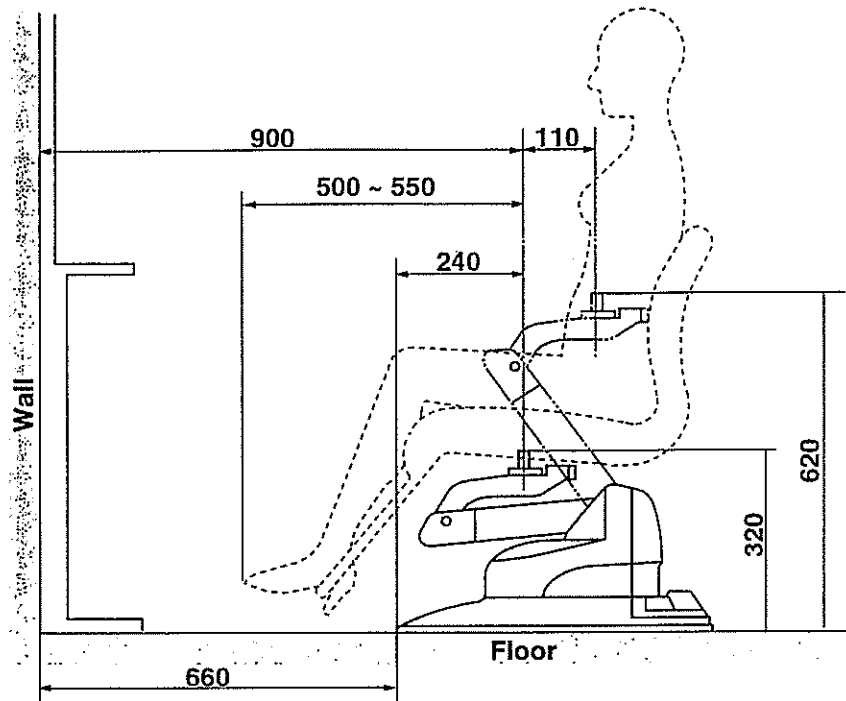


Fig.3-1 Chair Setting Position

(2) UNPACKING

CAUTION

Do not use sharp instrument to open carton box.
Lift Up by only the base plate.

- Place the carton box behind the planned location for the chair.
- Open the carton box.
- Lift up with holding the base plate and take out from the carton box. (Fig.3-2)
- Place the base on the planned location for the chair.

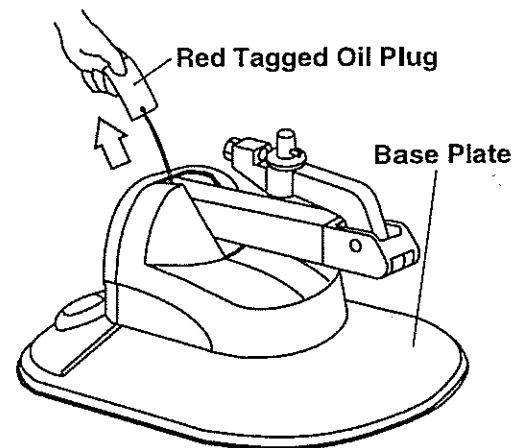


Fig.3-2 Red Tagged Oil Plug

(3) PREPARATIONS

CAUTION

Operate the main switch only by hand.
Take proper earth (ground) at any time.
Turn off the main switch in long term interval.

- Pull out the red tag and remove the oil plug. (Fig.3-2)
- Plug the power supply cable in suitable power supply outlet.
- Turn on the main switch located on the rear pump cover. A lamp illuminates in the main switch. (Fig.3-3)
- Lift up by the foot switch to suitable height for setting upper section.

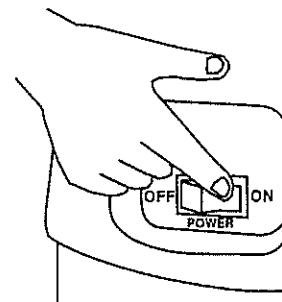


Fig.3-3 Main Switch

(4) SETTING UPPER SECTION

Keep lining up the seat flange ditch to the rotation shaft roll pin and insert the rotation shaft into the seat flange firmly. (Fig.3-4)

Note : Seat flange is fixed under the upper section.

⚠ CAUTION

Do not lift up by upper section.
Lift up by only base plate.

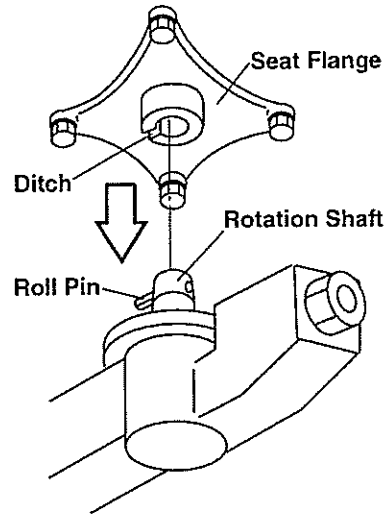


Fig.3-4 Setting Upper Section

4. OPERATING INSTRUCTIONS

⚠ CAUTION

Before operating the chair, confirm safety for the customer and the operator.
Do not let a person sit on or leave the chair except at the lowest chair position.
Do not load heavy weight on the step.

(1) MAIN SWITCH (Fig.4-1)

Turn on the main switch located in the rear pump cover.
A lamp in the main switch illuminates.

(2) CONTROLS (Fig.4-2)

A. Lifting

Keep depressing the up switch until the chair is lifted up to the desired position.

B. Lowering

Keep depressing the down switch until the chair down to the desired position.

C. Side Up Switch (SP-PSB, SP-PSW only)

Keep depressing the side up switch until the chair is lifted up to the shampoo position.

(Shampoo position : The top of rotation shaft height is 545 mm.)

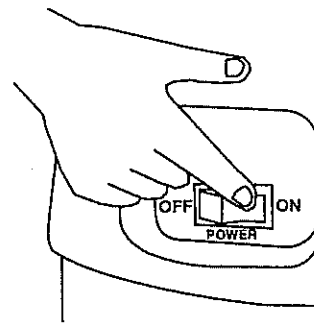


Fig.4-1 Main Switch

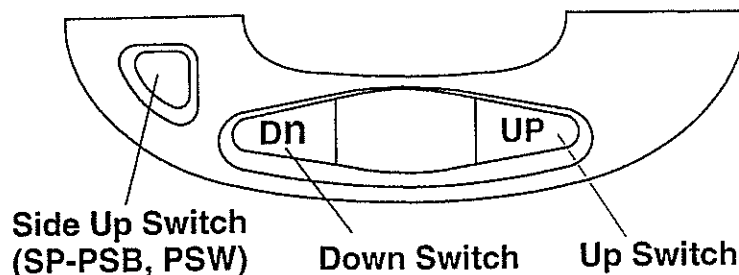


Fig.4-2 Foot Switch

(3) CHAIR ROTATION (Fig.4-3)

⚠ CAUTION

Do not use the chair at unlocked position.

Turn the chair upper section with holding the backrest or armrest to release the lock.
The chair upper section can be rotated freely.
The locking position is located front side and rear side.

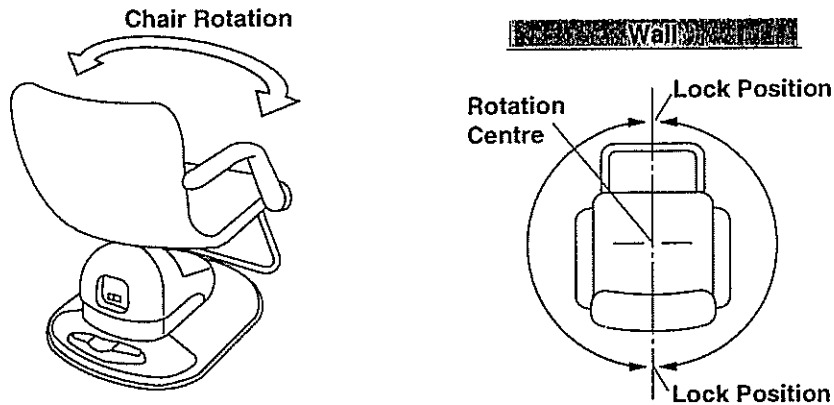


Fig.4-3 Chair Rotation

5. CARE AND MAINTENANCE

Other than cleaning, no scheduled maintenance.

Paint parts, plastic parts can be cleaned with a weak neutral detergent.

⚠ CAUTION

Turn off the main switch with the lowest position after daily use or in long term interval.

Do not drench the base for cleaning.

Do not use polishing powder, solvents and strong disinfectant for cleaning.

NOTE



TAKARA BELMONT CORPORATION

1-1, Higashi-shinsaibashi 2-Chome, Chuo-ku, Osaka, Japan

TEL. : (06) 6213-5945

TELEFAX : (06) 6212-3680