

TAKARA BELMONT SHAMPOO EQUIPMENT

# YUME ESPOIR YUME SUITE YUME NOBLE

Model No	Basin body	: EX-ESYM* / EX-ESSS*
	Seat body	: SC-ESF* / SC-ESL* / SC-YMSI*
	Seat	: SU-ESB* / SU-ESP* / SU-YMSI* / SU-YMNB*
	Base plate	: EA-ESBP

## Operating Instructions

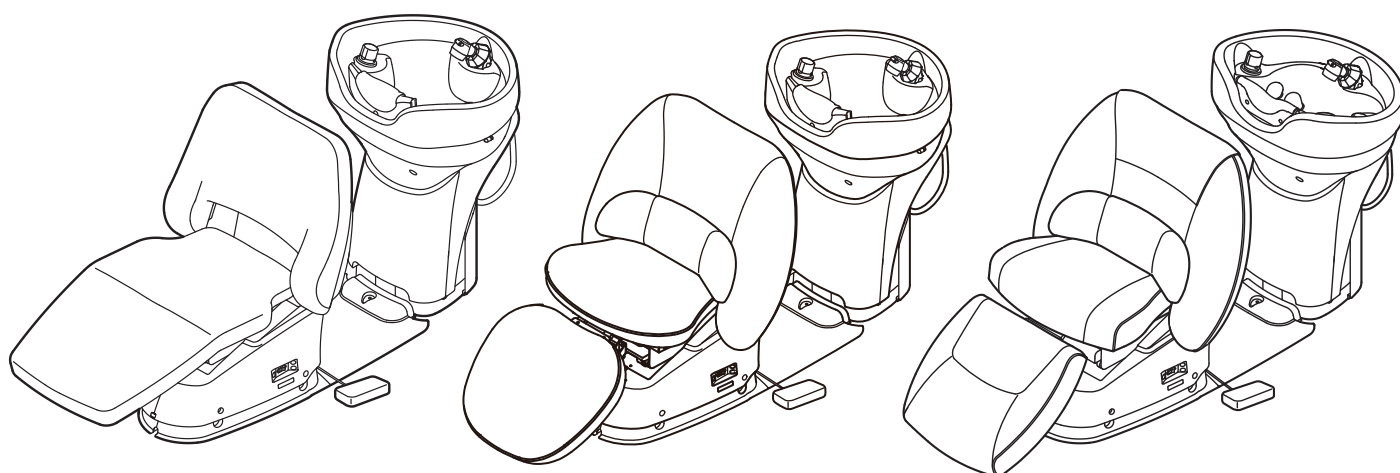


Image is of EX-ESSS\*/SC-ESF\*/SU-ESBF\*/EA-ESBP  
EX-ESSS\*/SC-YMSI\*/SU-YMSI\*/EA-ESBP  
EX-ESYM\*/SC-YMSI\*/SU-YMNB\*/EA-ESBP

Thank you for purchasing this Takara Belmont product.  
The instructions contained in this booklet should be thoroughly read and understood before use.  
Using this product before reading this operating instructions may result in an accident.  
This product is professional shampoo equipment for use in a beauty salon.  
Only use this product for its intended purpose and do not use it for non-hairdressing work.  
Keep this instruction and refer back to them when required.  
For installation and assembly of this product, ask our company or a contractor designated by us.

2024.01 Version 11

No.1A04NJD0

# Table of Contents

## Introduction

Description of Warning Symbols .....	4
Safety Precautions .....	5
Precautions for Use .....	12
Precautions for Handling Synthetic Leather .....	14
Precautions For Use Of Basin Products .....	14
Precautions For Use Of Resin-plated Parts .....	15
Position of Warning Labels .....	15
Before Using This Product .....	16
Accessories .....	16
Name of Parts .....	17

## Preparation

Remove the Cover .....	19
Sponge Installation .....	19
Installation of the Cover .....	19
Attach neck cushion .....	20
Remove neck cushion .....	22
Attach head pillow .....	23
Using the Lumber Cushion *SUITE and NOBLE only .....	23
Power Source .....	24

## How to Use

Lifting/Lowering the seat .....	25
Changing the preset position .....	27
Using the Shower head .....	28
Adjusting the volume of water .....	29
Adjusting the water temperature .....	30
To fill up basin with hot water .....	32
When shampooing .....	33
Space between the seat and basin .....	38

## Maintenance

Maintenance .....	39
-------------------	----

# Table of Contents

## When Necessary

Before Requesting Repairs .....	47
Daily Inspections .....	48
Standard Duration of Use .....	51
Parts Replaced on a Regular Basis .....	51
Consumable Supplies .....	52
Disposing of This Product .....	52
After-sales Service .....	52
Specifications .....	53
Dimensions .....	55

# Description of Warning Symbols

## ■ Before using this product



The "Safety Precautions", "Precautions for Use" and "Precautions for Handling Synthetic Leather" contained in this booklet should be thoroughly read and understood before use.

## ■ Precautions listed here






The precautions listed here are to ensure that this product can be used safely, and to prevent any danger or risk to the person using this product or those around them.

These precautions are important for ensuring safety. Adhere to these precautions at all times. Takara Belmont is not responsible for any damage or risk to the person using this product or those around them due to accidents if this product is used without adhering to the "Safety Precautions", "Precautions for Use" and "Precautions for Handling Synthetic Leather". In this case, the person failing to adhere to the "Safety Precautions", "Precautions for Use" and "Precautions for Handling Synthetic Leather" will be responsible for any damage or risk incurred.

Detailed descriptions of symbols are provided below. Read and understand these symbols thoroughly before reading this instruction.

Classification	Level and urgency of harm or damage
 <b>Warning</b>	If this symbol is ignored and the product is used, "there is the risk of death or serious injury to the user".
 <b>Caution</b>	If this symbol is ignored and the product is used, "there is the risk of light or moderate injury or physical damage".

The specific points that are to be abided by are explained using the following symbols.

Symbols of prohibited matter	Symbols of guidance or instruction
 Common prohibited actions	 Guidance or instruction regarding common user actions
 Prohibited disassembly or repairs/modifications	 Remove power plug from the power outlet
 Notification of high temperature warning	

# Safety Precautions (Adhere to these precautions at all times)

## Warning

### Cautions on Power Plugs/Power Cords



- **Do not pull-out or insert a power plug with a wet hand**  
Touching a power plug or outlet with a wet hand may cause an electrical shock.



- **Use a dedicated power outlet for power plug**  
Use a dedicated and grounded power outlet. Simultaneous use with other appliances may cause ignition by abnormal heating of the outlet.
- **Securely insert the power plug**  
Insert the power plug into the power outlet all the way to the base. Insecure insertion may cause ignition due to short-circuiting or heating.
- **Hold onto the power plug for pulling**  
When removing the power plug, hold the power plug, instead of the cord itself, and pull to remove. Pulling the power cord may damage the power cord and cause an electrical shock or ignition.
- **Pay attention to damage to the power cords and power plugs**  
If the power cords or power plugs are damaged or the fitting of the power outlet is loose, stop using. There is a risk of short-circuiting or ignition.
- **Securely connect the grounding wire**  
Without connecting the ground, it may cause electric shock when there is a malfunction or ground leakage. Contact a professional for grounding.
- **Regularly remove dusts on the power plugs**  
If dust adheres to the power plugs and outlets, thoroughly wipe off using a dry cloth. Use as is may cause ignition.
- **Handle the power cord carefully.**  
A damaged power cord may cause electrification or fire.
  - Do not damage the cord.
  - Do not place any object on the cord.
  - Do not rework the cord.
  - Do not heat the cord.
  - Do not excessively bend, twist, or strain the cord.



- **Pull off power plug when not used**  
When not using, turn OFF the power switch and pull the power plug from the outlet. Careless operation may cause an unanticipated accident or a fire from short-circuiting due to degraded insulation.

### Precautions on Installation/Moving



- **Precautions for installation**
  - Install this product according to the installation manual.
  - This product must be installed and assembled by a dedicated party (our company or a contractor designated by us).
  - Be sure to install the product on a flat, rigid floor and secure it.
  - Install this product so that it does not make contact with any surrounding objects.

## Warning

### Precautions for Use/Maintenance



- **Do not allow the hands, fingers, part of body/clothes of the customer and the user to approach the movable portion and its periphery**  
There is a risk of pinching injury.
- **Do not allow a customer to lie with face down**  
Unexpected movement of the seat may cause injury.
- **Do not stand on the seat**  
Otherwise, you may fall and become injured or cause this product to break.
- **Do not sit on the backrest, leg rest, or basin**  
Do not sit on or apply a heavy load to the backrest, leg rest, or basin. Otherwise, you may fall and become injured or cause this product to break.
- **Do not use in an environment where there is electromagnetic interference**  
Do not set up a seat in the periphery of a device that generates electromagnetic waves, such as communication facility or elevators. Furthermore, do not use an instrument that generates electromagnetic waves, such as mobile phones, near the periphery of this product. There is a risk of malfunctioning.
- **Two or more persons must not get on the seat**  
**Do not allow a person that weigh more than 135 kg to get on**  
The withstand load of the seat is 135 kg. Use of the seat in an unstable condition or with a load greater than the withstand load may cause the product to fail or break, possibly leading to injury.
- **Do not sit on the legrest**  
Damage to the seat.
- **Do not operate the foot control while seated on the stool**  
When operating the seat for shampooing, do not operate the foot control while still seated on the stool. When operating the seat, first move in front of the foot control and check that there are no objects obstructing movement of the seat.
- **Do not lean on the basin when working between the seat and basin**  
Leaning on the basin may cause the basin to fall over. Also, coloring dyes on the neck cushion or basin may stain the user's clothes.
- **Do not spray areas other than the basin with water**
  - Take care not to spray areas other than the basin with water. If water does come in contact with areas other than the basin, wipe them dry as soon as possible. Water entering the main body may cause malfunctions or a ground leakage fire.
  - Take care not to allow water to drip on the floor. If water does drip on the floor, wipe it dry as soon as possible. Failure to follow this instruction may damage the floor, or cause water leakage.
- **Pay attention so that the customer does not sit up while the seat backrest is set horizontally**  
With the seat backrest set horizontally, if a force is applied to the armrest of the backrest from above, the backrest sits up for a structural reason. In such a case, the customer may lose balance and get injured. [page 34]

## Warning

### Precautions for Use/Maintenance



- **Pay attention to not touching a switch during operation**

Pay careful attention so as not to inadvertently touch the foot control during service to activate the product or stumble on the foot switch or base plate. Otherwise, the product may abruptly move, possibly causing injury.

- **Take care not to step on the foot control when working between the backrest and basin body**

Take care not to step on the foot control when working between the backrest and basin. Accidentally stepping on the foot control may cause the backrest to recline, trapping the user. If the user thinks that they may become trapped, follow the steps provided in "Description of backrest anti-trap mechanism [page 38]" to move out from between the backrest and basin.

- **Pay attention to the customer and children**

- During the use of this product, pay attention to keeping the eyes on the customer. There is a risk of unexpected accident by false operation due to unintended contact by the customer (especially a child).
- Do not let a child approach this product except during the treatment.

- **Be careful of the space between the legrest and floor**

When the seat is lowered, the end of the legrest comes extremely close to floor level. When lowering the seat, always check and make sure that there are no people or objects under the seat. In particular, take care to check for babies or children. The seat may become damaged if people or objects become trapped between the legrest and floor.

- **Take care of the space between the seat and wall at the front**

When lifting or lowering the seat, check that there is sufficient space between the customer's feet and wall in front. If the customer's feet hit the wall, it may cause injury.

<ESPOIR Fixed legrest Type>

The seat slides forward approximately 65 mm when being lowered.

<ESPOIR Movable legrest Type>

The seat slides forward approximately 30 mm when being lifted.

<SUITE> <NOBLE>

The seat slides forward approximately 5 mm when being lifted.

- **Adhere to the following when operating the seat**

When operating the seat, check and make sure that there are no people or objects around the seat. The seat may hit them when operating, leading to injury.

- **Do not use the auto return function when an elderly customer or a small child is seated**

When operating this product, ensure that the customer is seated deeply in the seat and that their feet are on the leg rest, and keep an eye on them during operation. If you notice anything unusual, stop the operation immediately, especially if elderly customers or small children are seated in the seat, as the change in posture caused by the Auto Mode operation may cause unexpected strain. There is a risk of injury by forcing the customer to assume an improper posture or applying a force. Use the manual switches and operate while securely observing customer conditions. [page 26]

## Warning

### Precautions for Use/Maintenance



- **Precautions to observe when a customer gets on and off the seat**

- When a customer gets on and off the seat, be sure to lower the seat to its lowermost position. When a customer gets on and off a wheelseat, also make sure that the wheelseat is not located within the operation range of the seat. If a foot or caster hits the foot control causing the seat to unexpectedly move, the customer may get injured or the product may break.
- When a customer gets on and off the seat, guide the customer so that he/she does not trip over the power cable or fall.

- **After using hot water, return the thermostatic control knob to the proper temperature**

- After using hot water, return the thermostatic control knob to the proper temperature. If the shower is used without returning the temperature setting, the customer or you may get burned.
- If another device that uses a shared water/hot water supply source is used at the same time, the water temperature may become unstable. If multiple devices are used, slowly turn the thermostatic control knob to adjust the water temperature.

- **Adjust the water temperature while checking the temperature by hand**

When adjusting the temperature of the water, reduce the volume of water, point the shower head away from the customer and check the temperature by hand. Take care when doing so, as hot water may come out of the shower head.

- **Turn the power off if this product is not going to be used for a long period of time, or during maintenance**

Always turn the power off after work, if this product is not going to be used for a long period of time, or during maintenance. Failure to follow this instruction may cause ground leakage fires, electric shock or burns due to insulation deterioration.

- **Turn the power off at the switchboard if this product is not going to be used for a long period of time**

Turn the power off at the switchboard if this product is not going to be used for a long period of time, such as when the shop is closed. Failure to follow this instruction may cause ground leakage fires, electric shock or burns due to insulation deterioration.

- **Precautions for operation and setting up the presetting position of seat**

- Before and during operation of the seat, pay careful attention to ensure that there is no part of the body or object in or around the working range. Otherwise, you or the other person may be pinched by the seat, possibly leading to breakage of this product or injury.
- When the seat is operated, confirm that the customer is sitting back in the seat and the feet are on the step; keep your eyes on the customer during the operation.
- Do not touch an operation switch with a wet hand. There is a risk of electrical shock.

- **Stop using this product if it does not move, or if it feels like there is a problem present**

Stop using this product if the seat does not move, or if it feels like there is a problem present.

- **Never neglect the daily checks**

If the product is used without implementing the daily inspection, injury or breakage of this product may result.

Refer to [page 48 to 51] for daily checks.



# Safety Precautions (Adhere to these precautions at all times)

## Warning

### Precautions for Use/Maintenance



- **Turn OFF power switch and pull off power plug for a maintenance**

Failure to follow this instruction may cause an electric shock or fire. An unexpected movement of this product may cause injury.

- **In case of power outage**

- For prevention of an unexpected action when the power is restored from an outage, turn OFF power switch and pull off the power plug of this product from the outlet.
- When the power went out when the seat was at a high position, the descending operation will not be possible. Pay special attention to prevent injury to the customer or overturning of the seat by helping the customer get off in such a situation.



- **Disassembly and repairs/modifications are prohibited**

- Never disassemble or repair the seat by anyone other than the after-sale service personnel of our company. There is a risk of accident, failure, electrical shock, or fire.
- It is dangerous to remodel this product. Never remodel it.



- **Do not use hot water (boiling water) of 60°C or higher**

Using hot water of 60°C or higher may deform or damage the basin, shower head and taps.

## Caution

### Precautions for Use/Maintenance



- **Do not use while the cover is damaged**  
If a cover is damaged by any chance, promptly contact our call center for a replacement. The continuous use may cause a failure or accident.
- **Do not drink the hot water**  
This product is designed for washing hair. Do not drink the hot water. The water quality may cause diarrhea or stomach pain.
- **Do not use with the plating peeled off**  
If the plating of the faucet metal fittings (tap, thermostatic control knob) is peeled off. If use them with the plating peeled off may cause injuries.
- **Do not make an impact on the product**  
Otherwise, the cover or the like may break or malfunctioning or breakage of this product may cause injury.
- **Do not turn the water fully on with the shower head in the shower head bracket**  
Failure to follow this instruction may cause water to spill out of the basin, covering the customer with water. When turning the water on with the shower head in the shower head bracket, check the surrounding area and turn the tap slowly.
- **Do not use the product in a place where freezing is expected**  
Failure to take this precaution may result in breakage of parts, thus resulting in water leaks. Repair of breakage due to freezing will result in fees being charged even during the warranty period. If freezing is expected, maintain the room temperature at 0°C or above by using a heater.
- **Do not use a scourer**  
Do not use a scourer to clean the shower head, shower head bracket or covers. Using hard cleaning tools such as a scourer or a sponge with a scourer, metallic scouring pad or nylon scouring pad may cause scratches.
- **Do not use outdoors**  
This product is designed for indoor use. Do not install this product outdoors or within a vehicle. Be sure to only use this product inside a barber or hair salon. Failure to follow this instruction may cause malfunctions or damage to the main body.

## Caution

### Precautions for Use/Maintenance



- **Be sure to operate the power switch section by hand**  
Except for the foot control, be sure to operate the switches by hand. Operation of the product with body parts other than the hand may cause the product to break or malfunction.
- **Support the customer's head by hand when lowering or lifting the backrest**  
Support the customer's head by hand when lowering or lifting the backrest. Failure to follow this instruction may cause the customer to hit their head on the basin.
- **Always wipe the floor clean if it is wet**  
Wipe the floor as soon as possible if it is wet after shampooing. Failure to follow this instruction may cause the floor to deteriorate or the product to fail.
- **Take care when handling the shower hose**
  - When using the basin, check that the shower hose is not trapped around feet or under the stool. Failure to follow this instruction may cause damage to the basin.
  - Do not step over the shower hose to use it. Failure to follow this instruction may cause the shower hose to become caught on the basin, leading to injury.
- **Users should take care to be aware of their surroundings when working between the seat and basin**  
Carrying metallic objects such as scissors while working may scratch the basin and the backrest.
- **Take care of the step between the base plate and the floor**  
There is an approximately 6 mm step between the base plate and the floor. Take care not to hit the step when walking. The user may trip, causing injury.
- **Take care of the foot control cable**  
Take extra care so that the customer does not catch or kick the foot control cable when they get on or off this product. Failure to follow this instruction may cause the customer to fall over, or cause damage to the unit.
- **Turn off the power switch after use.**  
Inadvertent contact with the foot switch may move the chair unexpectedly, possibly causing injury or damage.
- **Before use, be sure that all the parts are operating normally.**  
Inspect the product, paying attention to any looseness, rattling, inclination, vibration, noise, temperature, smell, or any other anomalies.  
If any anomaly is sensed, stop using the product immediately, turn off the power switch, disconnect the power plug, and contact your local Takara Belmont dealer for advice.
- **Maintenance precautions.**  
The metal components and mechanisms of this product include sharp edges. When cleaning the product, be careful not to injure your hands or fingers.

# Precautions for Use

- **Do not use for purposes other than beauty/barber treatment**

This product is a professional device intended for the use in beauty and barber salons.

Shall not be used by persons other than specialists in barber/beauty treatment or a person qualified as an esthetician.

- **The maximum load is 1,350 N (135 kgf)**

The rising speed may be slower when the load is near the maximum value.

- **Do not apply heat**

It will be the cause for the alteration of quality/color.

- **Do not apply steam directly to the leather**

When using the steam to perform hair/scalp care and other work, do not apply the steam directly to the leather. Failure to follow this instruction may cause degradation of the leather.

- **Do not allow a sharp object to contact the leather**

If a sharp object, such as scissors, contacts the leather, it may tear.

- **Do not put an object other than human on the seat**

It may cause the deformation or breaking of leather or corrosion.

- **Do not forcefully lift the seat, backrest, or leg rest**

Otherwise, the seat may malfunction or fail.

- **Promptly wipe off when chemicals have adhered**

When the chemicals have adhered to the leather, base covers, etc., promptly wipe off.

It may cause a change in quality/color.

- **Do not use strongly acidic or strongly alkaline cleaning solvents**

Do not use cleaning solvents containing mainly caustic soda (NaOH) or caustic potash (KOH) to clean the drain pipe. Never pour thinners, alcohol, nail polish remover, gasoline or kerosene into the drain.

Failure to follow this instruction may cause damage to the drain hose.

- **After use, wipe water away from all parts other than the basin**

Leaving the unit with water on it may cause damage to the main body, and make dirt difficult to remove.

- **Lower the seat to the lowest position after working hours**

Lower the seat to the lowest position after working hours. In this condition, no load is applied to the mechanical parts of the product, lengthening its service life.

- **Do not remove the cover of holder forcibly**

Failure to follow this instruction may cause damage to the product.

- **Do not collect water until it overflows from the shower hose slot**

The amount of water should be below the designated maximum water level. [Page 32]

- **Put shower head securely into the holder**

Failure to follow this instruction may cause water to spill out of the basin, covering the customer with water.

# Precautions for Use

- **Do not touch the hot water supply pipe or mixing pipe**

The hot water supply pipe or mixing pipe may become very hot. Do not touch the pipes directly.

- **Set the water temperature for this product to 80°C or less**

Failure to follow this instruction may cause malfunctions or damage in parts such as the stop valve, check valve, flexible pipe and thermostat water valve.

- **In cold regions, ensure that water is removed**

When using this product in winter in cold regions, open the maintenance cover and open the check valve filter to remove water and prevent freezing.

Failure to follow this instruction may cause water leakage.

- **Always use the neck cushion**

Using this product without the neck cushion may apply unnecessary load to the customer's neck, causing injury. Always use the neck cushion.

- **Do not use a peppermint oil or aroma oil**

Do not use any peppermint oil or aroma oil that contains menthol. The oils may cause damage to resin parts, such as the shower head, shower head holder, shower hose, tap, thermostatic control knob, neck cushion, hair catcher, and drain cap.

The leather on the backrest, seat, leg rest, or Lumber cushion may deteriorate.

- **Do not drop heavy objects on to the basin**

Do not place or drop heavy objects on to the basin. Failure to follow this instruction may cause damage such as scratches or cracks to the basin.

- **Do not hit an object against the top surface (cap) of the resin knob**

Do not hit a hard object against the tap and thermostatic control knob, which are made of resin. A scratch or crack may be made on the plated surface and then the plating may detach, which may cause injury.

- **Close the tap firmly**

After use or shampooing is complete, turn the taps firmly in a clockwise direction and turn the water off completely. Failure to turn the water off completely may cause water leakage.

- **Do not leave the shower head immersed in water**

If pressure in the water pipes decreases due to repairs that follow water stoppages, the water in the basin may flow back through the shower head.

- **Do not cover the drain outlet when this product is not going to be used**

Do not cover the drain outlet with the drain cap, towel, or shampoo cloth after finishing the work. Water may overflow the basin when water is improperly discharged or a small amount of hot water is discharged due to an increase in water pressure during the night, resulting in water leaks. Be sure to remove the trap cover from the drain outlet when the product is not in use.

- **Do not wet the shower head bracket with water**

Failure to follow this instruction may cause water leaks.

- **Return the shower head to the shower head bracket so that the spray nozzle faces the basin**

Failure to follow this instruction may cause water to spill out of the basin or splash on the customer with water.

- **Clean the hair catcher regularly**

Clean the hair catcher as regularly as possible. Continuing to use the hair catcher without cleaning it may cause the drain to become blocked with hair, leading to water overflowing and unhygienic conditions. Try to clean the hair catcher after each shampoo.

# Precautions for Handling Synthetic Leather

- **Specifications of synthetic leather of this product**

[SUITE]

The synthetic leather used on this product has fine irregularities on its surface and is not lippy. As its surface has a mat finish, attached dirt may become conspicuous.

[NOBLE]

The synthetic leather used on this product expresses the texture of genuine leather and has a slippery characteristic.

You may also see the white inner layer through the thread holes in the seams.

The leather on this product has wrinkles (gathers) for design purposes. The wrinkle pattern may vary in width, length, or interval depending on the manufacturing method. Also, to make the seat cushion voluminous, a soft cushion material is used. In the course of long use or depending on the usage conditions, the wrinkles may become flattened.

- **Stains caused by clothing dyes**

The synthetic leather of this product may become stained by direct contact with clothes or belts. If there is stains, wipe clean as quickly as possible with a 10% detergent solution diluted using water to prevent permanent staining. Then, wipe using water and conduct a thorough dry wiping after that.

- **Take care of deformation or stains due to direct contact**

- Direct contact with other objects such as plastic products, painted items, solvents or adhesive tape may cause changes to the surface luster, cracking, deformation or peeling.
- Direct contact with newspaper or printed paper may cause stains.
- Direct contact with items of clothing such as printed images of t-shirts, or jeans may cause discoloration of the synthetic leather of this product.
- Direct contact with solvents such as benzene, nail polish remover, alcohol, oil (including beauty treatment oils) may cause discoloration, melting of the surface, elution of the plasticizing agent, changes to surface luster, hardening/softening or peeling.
- Using bleach or bleached sheets may cause changes to surface luster or discoloration.
- Installing this product next to sources of excess heat such as irons or heaters may cause deformation or discoloration.
- Protect this product from direct sunlight by installing curtains. Failure to follow this instruction may cause changes, shrinking, discoloration or fading of the leather surface.
- Placing heavy objects for a long period of time may leave an imprint or wrinkles on the synthetic leather that cannot be removed.

# Precautions For Use Of Basin Products

This product uses pottery for the basin.

Note in advance that bends and deformations cannot be avoided depending on the product in molding of the neck position and the pottery, and there are slight variations in height, shape, and weight.

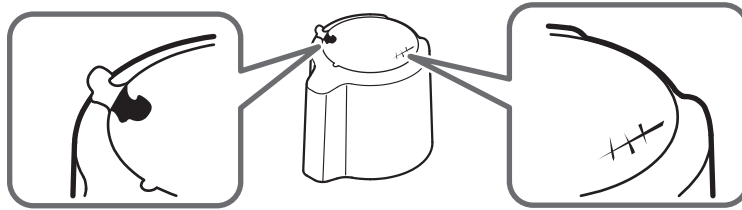
In addition, because of the nature of pottery, pouring hot water in a pottery part may result in a sudden expansion of that part, causing cracks in the surface.

Do NOT pour hot water in the pottery. Failure to follow this instruction may damage to the pottery, causing injury, or cause water to enter the upper unit due to a water leak, resulting in formation of rust.

# Precautions For Use Of Resin-plated Parts

- The tap and the thermostatic control knob of this product are resin-plated
  - The plating is a thin and hard metal film, which may cause cracks and peeling in the plated surfaces due to corrosion and aged deterioration.
  - An impact of falling objects may cause flaws and cracks in the plated surfaces.
  - If a hard object hits, flaws, and cracks may be caused on the plated surface.
  - Starting from a flaw or a crack on the plated surface, peeling of the plating may occur.

**⚠ Caution** Before use, check that there are no scratches, cracks, nor peeling of plating on the plated surface of the tap and the thermostatic control knob. If you keep using the equipment, you may become injured.



An example of peeling on the plated surface

An example of scratches on the plated surface

# Position of Warning Labels

**⚠ CAUTION**

Drain Outlet      Drain Cap

The drain cap must be detached from the drain outlet when the product is not in use.

<b>⚠ CAUTION</b>	<b>⚠ CAUTION</b>	<b>⚠ CAUTION</b>
Do not use hot water of 60°C and higher. Using hot water at 60°C and higher may deform or damage the ceramic bowl, the shower head or the faucet handle.	If chemical such as hair dye attached to the equipment, wipe it out immediately, or it may cause discoloration or deterioration.	Do not use chemical detergent mainly containing caustic soda (NaOH) & caustic potash (KOH) for cleaning drain pipes, etc. This may cause damage on the drain hose, etc.
For other cautions, please read the operating instruction carefully before use.		

**⚠ WARNING**

**Risk of Pinching!**

**⚠ WARNING**

**PINCHING**  
DO NOT insert finger or hand into this space.  
Serious injury may occur by pinching.

<b>⚠ WARNING</b>	<b>⚠ WARNING</b>	<b>⚠ WARNING</b>	<b>⚠ WARNING</b>
Risk of Pinching KEEP OFF hands or obstacles when adjusting angle.	Risk of Electric Leakage. DO NOT drench the unit.	Disconnect power supply plug when unit is not in use.	Risk of Electric Shock and malfunction. DO NOT disassemble, repair or modify.

Please read the Operating Manual carefully for other safety cautions.

# Before Using This Product

- The back wash (YUME) basin is a shampooing product designed for performing back shampooing\*<sup>1</sup> or hair/scalp care.
- The side wash basin is a shampooing product designed for performing side shampooing\*<sup>2</sup> or hair/scalp care.
- The back approach\*<sup>3</sup> to this product is designed for performing shampooing while seated. For performing shampooing more comfortably, the use of a ESPOIR stool (sold separately, part No. ES-ESST) is recommended.
- Check that all accessories have been attached properly.
- Please note that the gap between covers may vary slightly from product to product.
- There is a slight gap between the basin and the cover. This is because the basin is made of ceramic, and is not indicative of defective quality.
- Please note that the gap between the backrest and the basin when the backrest is reclined may vary slightly from product to product.
- Please note that the neck position and height may vary slightly from product to product as the basin is made of ceramic material.

\*1 Back shampooing: the user sits behind the basin and performs shampooing from the back (back position).

\*2 Side shampooing: the user stands next to the basin and performs shampoo from the side (side of basin).

\*3 Back approach: the user performs hair/scalp care and the like from behind the basin.

## Accessories

### <Same parts for back wash (same as YUME basin), side wash basin>

- Mohair tape for replacement...1



- Hair catcher...1



- Sponge...1

Thin hose : Inside diameter  $\phi$ 13.5  
Thick hose : Inside diameter  $\phi$ 18



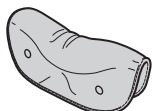
- Drain cap...1



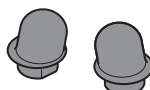
- Installation instructions...1
- Instruction...1
- YUME SPA Technical Manual(except for China)...1

### <For back wash basin>

- Neck cushion...1



- Head pillow...1 set



### <For side wash basin>

- Neck cushion...1



- Neck core...1





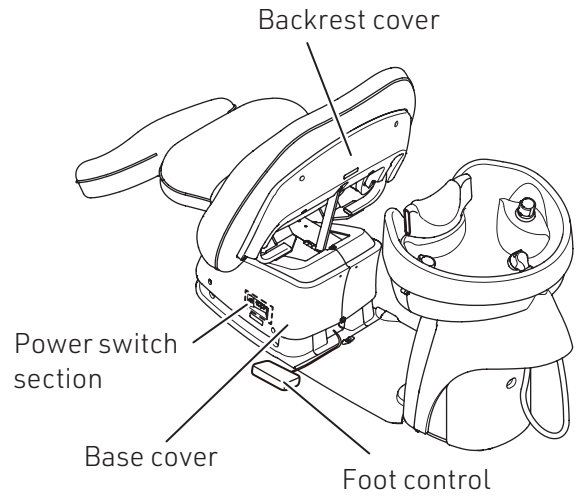
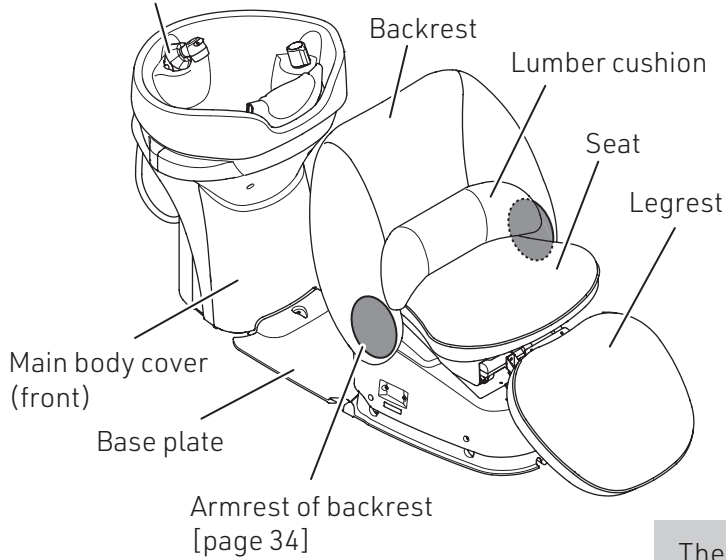
# Name of Parts

## Main body

SUITE

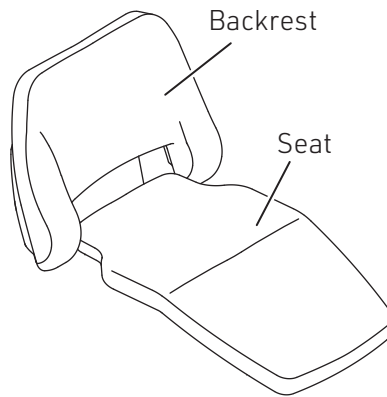
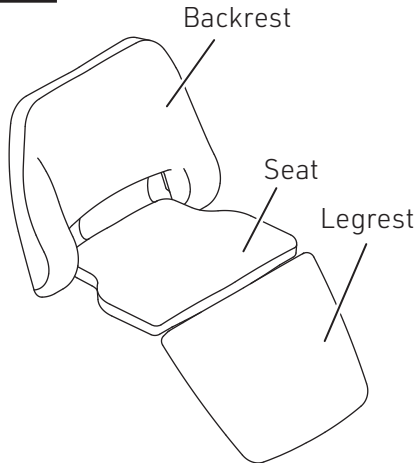
NOBLE

Shower head bracket

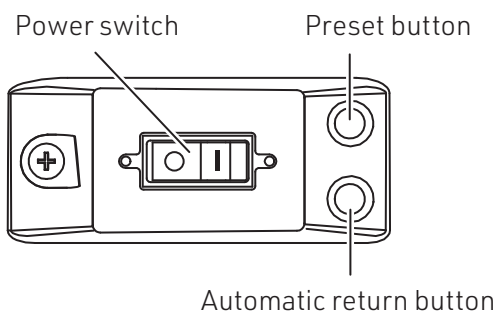


The external cover is made of plastic. There may be streaked lines or different shades. However, these are a result of the external cover manufacturing process and not indicative of a defective product.

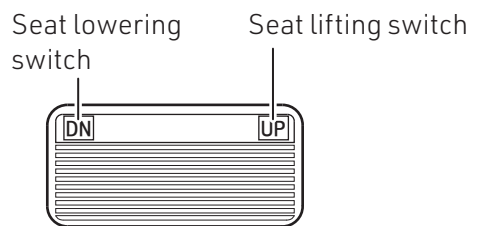
ESPOIR



## Power switch section



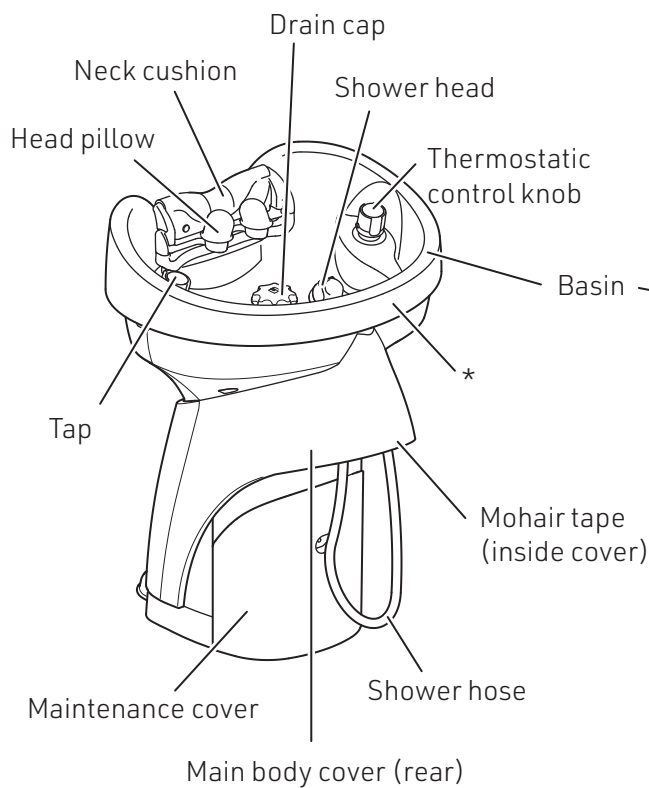
## Foot control



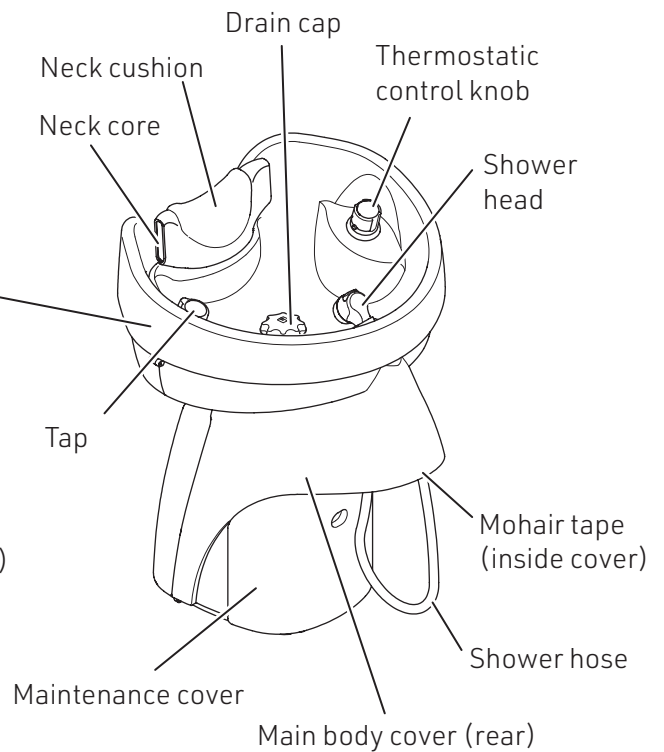
# Name of Parts

## Basin body

For Back wash (same as YUME basin)

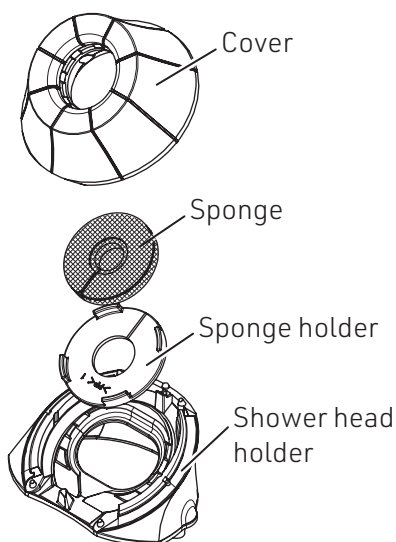


For Side wash basin



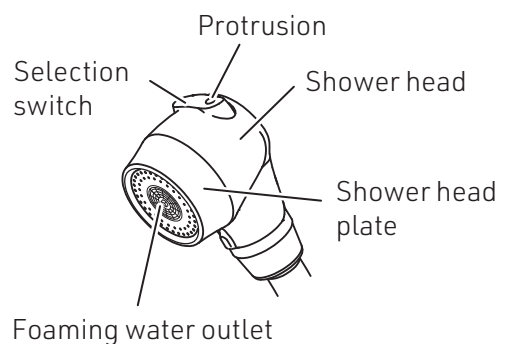
The back wash (YUME) basin has bumps in the area marked with the \* symbol. However, these are a feature of the ceramic basin manufacturing process and not indicative of a defective product.

## Shower head holder



## Shower head

Dual function shower head



YUME shower head

Side shower head



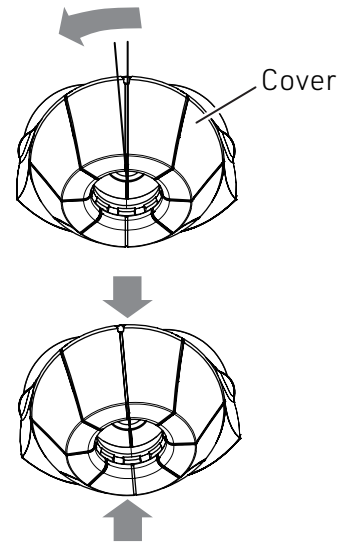
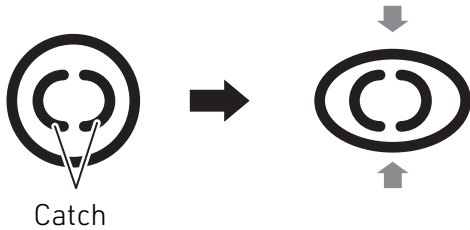
## Remove the Cover

### 1 Turn the cover counterclockwise.

Turn the cover around 5 degrees.

### 2 Pinch the front and back of the cover to deform and remove the catch.

【Image】



#### Caution

Do not remove the cover of holder forcibly.  
Failure to follow the instruction may cause damage the product.

## Sponge Installation

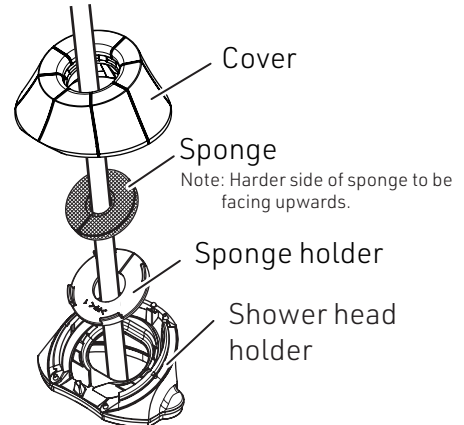
### Attach the sponge to the shower hose.

Attach the sponge and sponge holder to the shower hose, between the shower head holder and the cover.



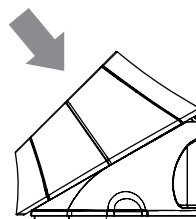
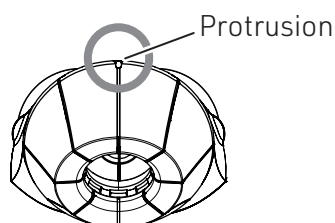
#### Caution

Ensure that the harder side of sponge is facing upwards.



## Installation of the Cover

Align groove in the cover and protrusion of the holder until they snap into place.

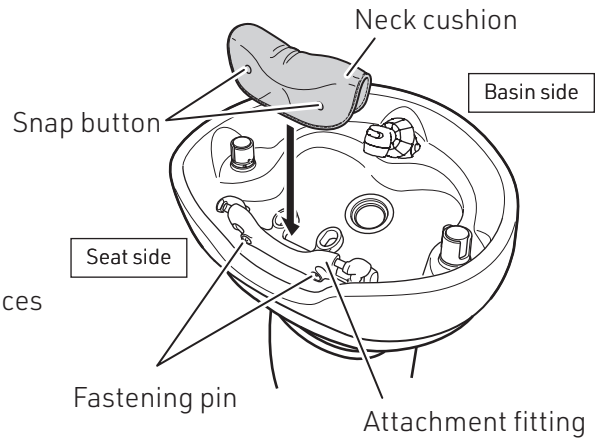
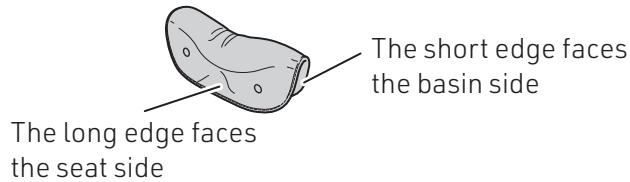


# Attach neck cushion

Back wash (same as YUME basin)

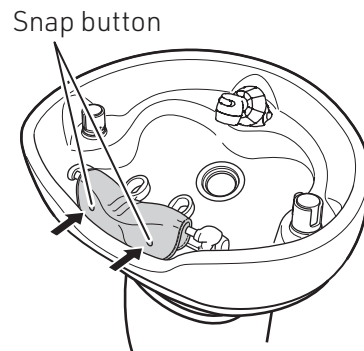
- 1** Align the neck cushion as shown in the illustration, and fit the neck cushion on the attachment fittings.

Make sure the attachment direction is correct.

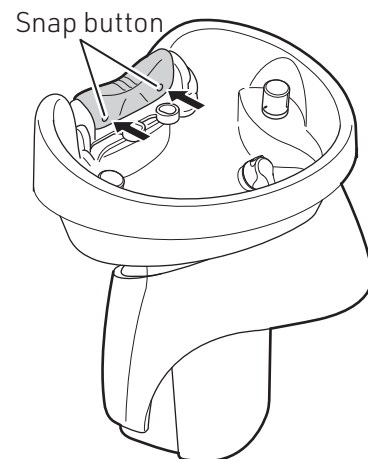


- 2** Attach the seat side snap buttons of the neck cushion to the fastening pins on the attachment fittings.

The fastening pins can be removed.  
Take care not to lose the fastening pins.



- 3** Adjust the shape of the neck cushion to fix it to the attachment fittings, and attach the basin side snap buttons of the neck cushion to the fastening pins.

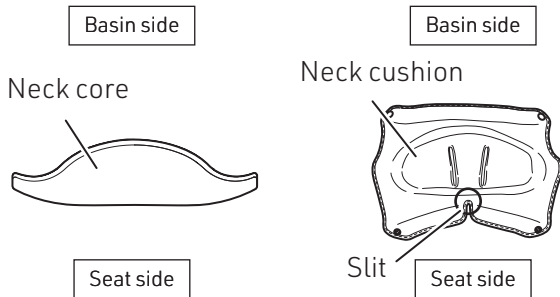


# Attach neck cushion

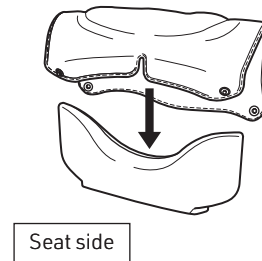
For Side wash basin

**1** Check the direction of the neck cushion and neck core.

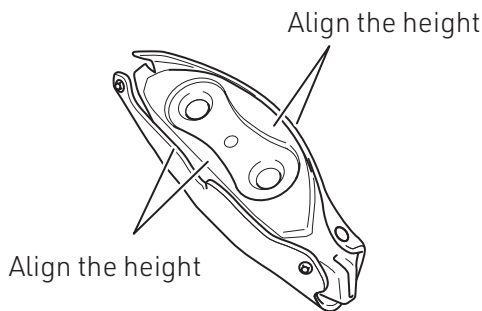
< Top view >



**2** Hold the neck cushion and adjust the neck core so that it is aligned with the center of the neck cushion.

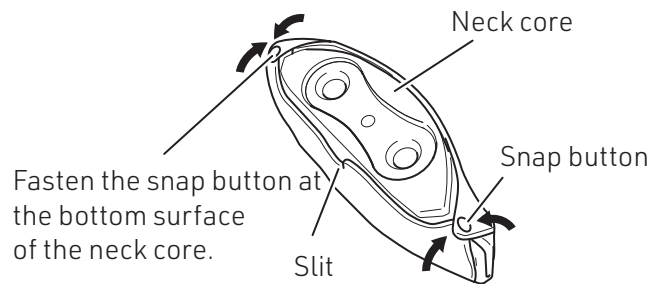


**3** Align the height of the neck core and neck cushion ends (both ends).



**4** Fasten the snap buttons (2 locations) while pulling on the neck cushion.

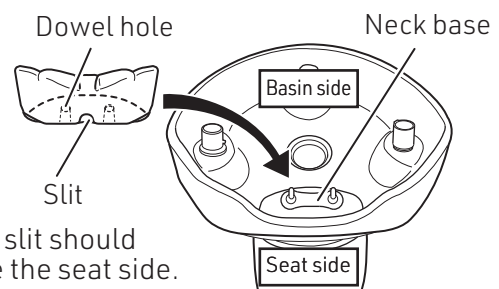
Align the snap button with the bottom surface of the neck core as shown below.



**5** Press the neck core to the neck base and attach.

Be sure to press the neck core in the correct direction.

The **slit** in the neck cushion should face the seat side.



\* The slit should face the seat side.

## ⚠ Caution


Do not force the neck cushion if it does not fit smoothly. Instead, check the following points.  
Forcing the neck cushion on may cause damage to the neck base or injury to customers.

- Check the neck core insert the direction.
- If the neck cushion is loose, check the direction of the neck cushion toward the neck core.
- If the neck core dowel hole is clogged with dirt, clean and remove the dirt before use.

# Remove neck cushion


Back wash (same as YUME basin)

Hold the snap buttons (4 locations) when removing the neck cushion.

 **Caution** Do not press the switches while the chemicals are adhering on the hands.  
Leather may be discolored.

For Side wash basin

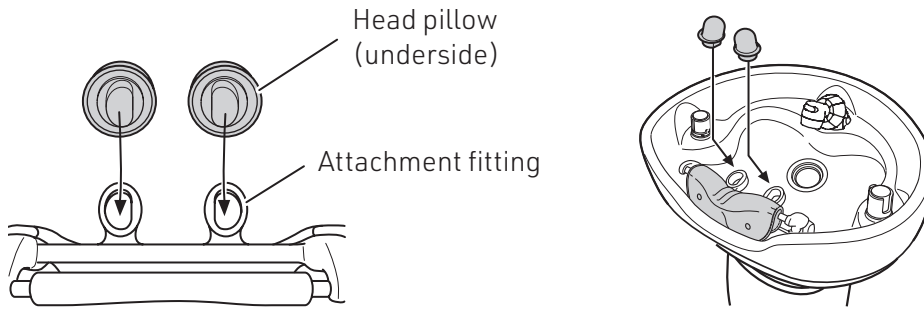
- 1** Remove the neck cushion (with neck core) from the neck base.
- 2** Unfasten the two snap buttons and remove the neck cushion from the neck core.

 **Caution** Applying excessive force to remove the neck cushion may damage the parts.

The neck cushion is a consumable supply.  
Replace them if they are extremely dirty or the surface has deteriorated. (available at additional cost)

# Attach head pillow

Align the direction of the head pillow as shown in the illustration, and insert.



The neck cushion and head pillow are consumable supplies. Replace them if they are extremely dirty or the surface has deteriorated. (available at additional cost)

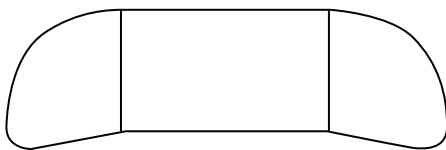
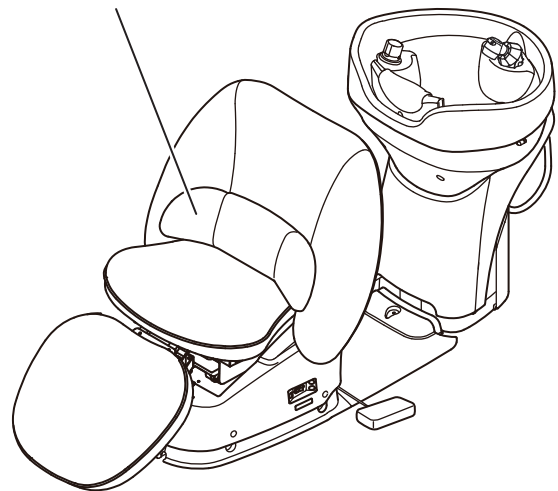
# Using the Lumber Cushion \* SUITE and NOBLE only

Place the Lumber cushion in the location and orientation as show in the figure on the right before use.

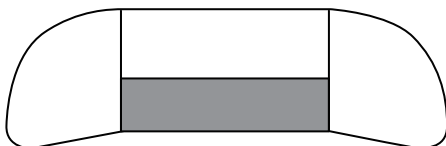
## ⚠ Caution

The Lumber cushion is subject to deformation and may enter between the seat and backrest. Every time the service has finished, return the lumber cushion in the position as shown in the figure on the right.

Lumber cushion  
(place it with its front face oriented outwardly)



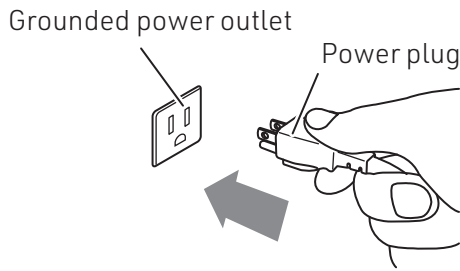
Front face



Back face

# Power Source

## Insert the power plug into a power outlet



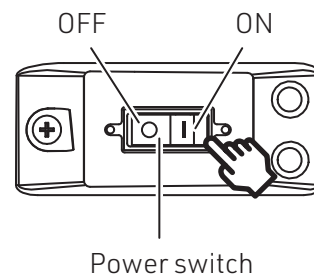
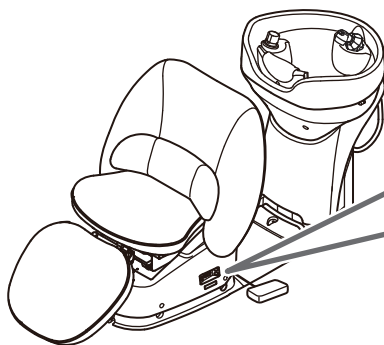
Insert the power plug in a grounded power outlet.

### Warning

- Use a dedicated and grounded power outlet. Do not simultaneously use other electrical appliances in the same outlet.
- Insert the power plug into the power outlet all the way to the base.
- When removing the power plug, hold the power plug, instead of the cable itself, and pull to remove.
- Do not touch the power plug or the outlet with a wet hand.
- Securely connect the grounding wire. Contact a professional for grounding.
- When not using, turn OFF the power switch and pull the power plug from the outlet.

## Turn the power on

The power switch is on the left of the seat when viewed from the basin.  
The power will turn ON if the power switch is pushed to the right (⏻ symbol).  
The power will turn OFF if pushed to the left (⏪ symbol).



### Warning

- Always turn the power off after work, if this product is not going to be used for a long period of time.
- Remove the power plug from the power outlet if this product is not going to be used for a long period of time, such as when the shop is closed. Dust and moisture may cause faulty insulation, leading to a ground leakage fire.

### Caution

Operate the power switch by hand. Do not turn ON the power switch while carelessly pressing on an operation switch. The setups of preset position may change.



# Lifting/Lowering the seat

There are two methods to move up/down the seat: automatic operation and manual operation.

Automatic operation: [PRESET]: Pressing this switch moves up the seat up to the preset position, and then the seat automatically stops.

: [AUTO RETURN]: Pressing this switch moves down the seat up down to the initial position, and then the seat automatically stops.

Manual operation: The seat height can be finely adjusted.

To confirm operation, a "beep" operating sound will be emitted when entering automatic mode.

\* The operating sound cannot be turned off.

## When lifting or lowering the seat (Automatic operation)

### [PRESET]:When lifting the seat to a preset position

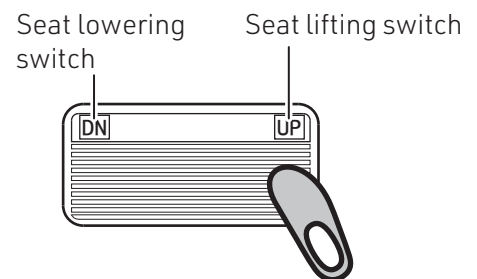
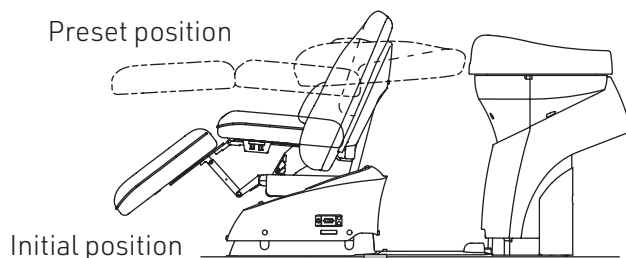
Press the Seat lifting switch.

Holding down (pressing for one second or longer) the Seat lifting switch will make the unit "beep", then automatic mode will begin and the seat will lift automatically to the preset position.

### [AUTO RETURN]:When lowering the seat to a initial position

Press the Seat lowering switch.

Holding down (pressing for one second or longer) the Seat lowering switch will make the unit "beep", then automatic mode will begin and the seat will lower automatically to the initial position.



- When the seat is moved up and down, its speed is not constant if no person is sitting on it. The moving up/down speed is set so that the seat moves stably when a person sits on it.
- The speed at which the seat lowers may differ depending on changes in the oil temperature due to ambient temperature, or the weight of the customer sitting on the seat.
- Once in automatic mode, the seat will move automatically even if the foot control is released.

### [Preset position]

The preset position is set by default at the factory so that the customer's position laying down is appropriate. The level of comfort may differ depending on the customer's frame or posture. If the preset position is to be adjusted to suit a certain customer, follow the instructions in "How to set the preset position (see page 27)", and adjust the preset position.

# Lifting/Lowering the seat

## Stopping automatic operation halfway

To stop the seat moving in the automatic mode, press the Seat lifting or Seat lowering switch when the seat is moving automatically. This will stop the seat from lifting or lowering.

When lifting or lowering the seat, check and make sure that there are no people or obstructions near the seat. Failure to follow this instruction may cause injury, or damage the seat.

### Warning

- Make sure that there are no people or objects under the seat or basin. In particular, make sure to check for babies or children.
- Check that there are no people or objects between the seat and floor.
- When lifting or lowering the seat, check that there is sufficient space between the customer's feet and wall in front.
- Never touch the switch when working between the seat and basin. Failure to follow this instruction may cause the user to become trapped, leading to injury.

## Adjusting the height of the seat (Manual mode)

- 1) Press the Seat lowering switch briefly (pressing for one second or less) to lower the seat slightly.
  - 2) Press the Seat lifting switch briefly (pressing for one second or less) to lift the seat slightly.
- \* Be aware that pressing the switch for one second or longer will enter automatic mode.
- \* The seat cannot be lifted higher than the preset position set when the product is shipped from the factory.

# Changing the preset position

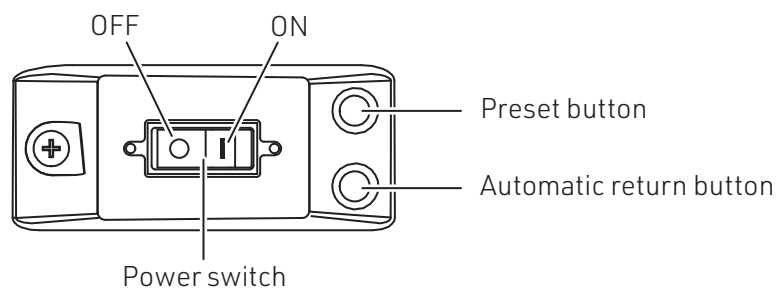
The standard preset position is adjusted in advance when the product is shipped from the factory. To change the preset position, follow the procedure below to set the new position.

- 1 With the UP/Seat lowering switch, lift or lower the seat to the desired height to set as the preset position.**
- 2 Turn the power switch off.**
- 3 Turn the power switch on while pressing the preset button located at the top right of the power switch. A "beep" setting sound will be emitted five seconds after turning the power switch on while pressing the preset button.  
[Setting complete]**

\* The set position and the preset position may differ slightly depending on the characteristics of the seat itself and the environment it is being used in. After the setting is complete, use the automatic return function to lower the seat to its initial position, press the preset button and check that the seat has been lifted to the set position.

\* The automatic return button is used when repairing the seat. Be sure that customers do not press the automatic return button, as this may alter the settings.

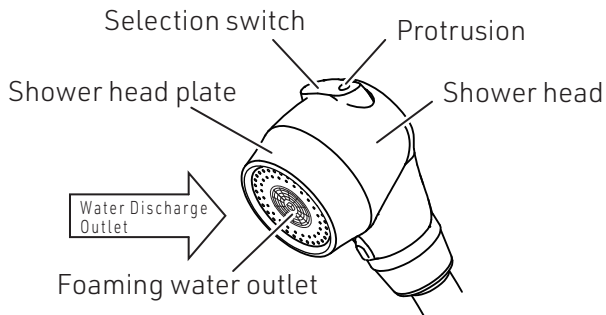
\* The preset button and automatic return button are not operating switches. The seat will not move even if these buttons are pressed.



# Using the shower head

## Dual function shower head

Changing the selection switch position switches between Shower Mode and air Low Splash Foaming Mode.



### <Shower Mode>

Press the switch on the side with the protrusion.

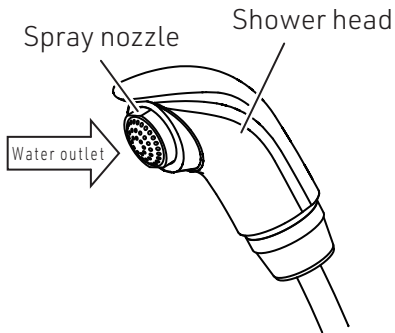


### <Low Splash Foaming Mode>

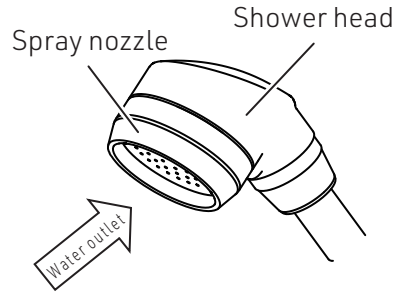
Press the switch on the flat side.



## YUME shower head

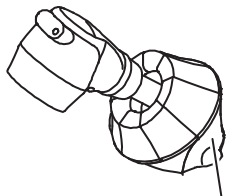


## Side shower head

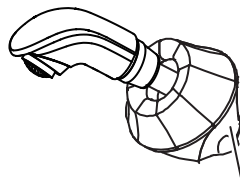


## ⚠ Caution

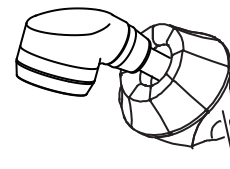
- Do not discharge a strong water stream when the shower head is in the shower head holder. Failure to take this precaution may result in system failure due to spilled water or damage to the floor.
- Return the shower head to the shower head holder after use so that the shower head plate is pointed toward the basin.



Shower head holder



Shower head holder



Shower head holder

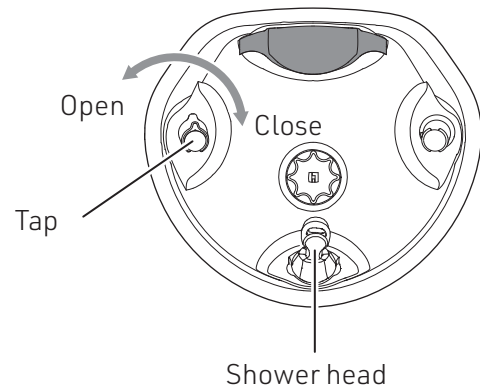
# Adjusting the volume of water

Turning the tap to the left (anticlockwise) will output water from the shower head.

The volume of water will increase as the tap is turned left.

The maximum volume of water will be output when the tap is turned full left.

Turning the tap full right (clockwise) will turn the water off.



## Caution

- When not in use, turn the tap securely to the rightmost position (clockwise) to ensure the warm water stops.  
Failure to completely stop the water may cause water leak accidents.
- After the completion of work, do NOT block the drain port with the trap cap, towels, or shampoo cloths. If the water accidentally flows or a small amount of water flows due to the increase of water pressure at night while the trap cap is covered, water leakage may occur.  
Failure to take this precaution may result in contact between the metal and the tap resulting in flaws or cracks on the plated surface and thereby causing peeling of the plating.
- When the water discharge flow becomes slow, the discharge pipe may be clogged with waste or the like. In such a case, immediately stop using the product and call the Call Center.
- Check that there are no flaws, cracks, or peeling of the plated surface of the knobs before using the product.  
If peeling is observed, immediately stop using the product and contact your local Takara Belmont dealer. Continued operation may result in injuries.
- The tap may become stiffer when turned depending on the environment or condition that it is used in.  
This is due to deterioration of gasket of movable parts or a lack of grease as a result of aging.

- Depending on the usage environment or conditions, the flowing water sound may be generated from the basin. This phenomenon occurs as water flows fast in the pipe when some condition, such as hydraulic pressure and adjustment of hot water amount is met, and is not a product defect. The flowing water sound may be reduced by adjusting the hydraulic pressure.
- The tap may become stiffer when turned depending on the environment or condition that it is used in. This is due to deterioration of gasket of movable parts or a lack of grease as a result of aging. Replacement of the gasket or other parts, or a recoating of grease is required.

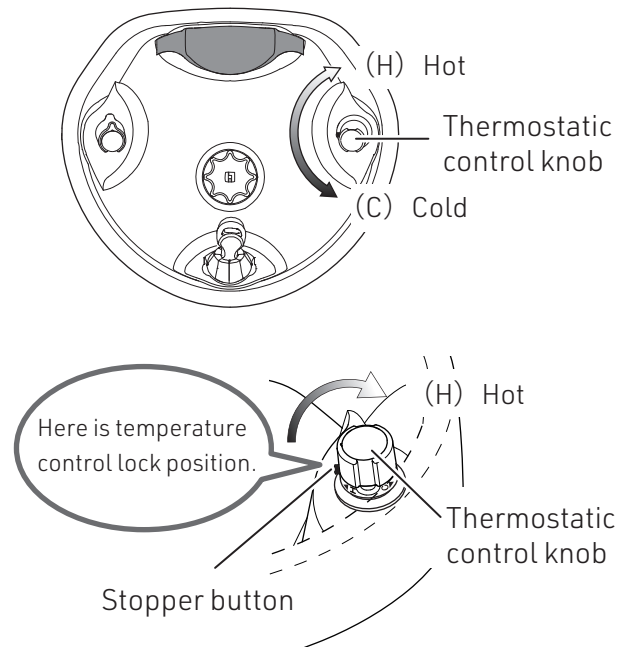
# Adjusting the water temperature

- 1) Turn the thermostatic control knob to H (hot) or C (cold) direction and stop it at the desired position. Turning the tap toward left (counterclockwise) will make the water hotter, and turning it toward right (clockwise) will make it colder.

## Caution

When adjusting the water temperature, reduce the volume of water, point the shower head away from the customer and check the temperature by hand. Take care when doing so, as hot water may come out of the shower head.

- 2) The thermostatic control knob stops at a point; temperature adjustment lock position as the right figure. For using hot water at high temperature (40°C or more), turn the thermostatic control knob to the H (hot) direction while pressing the stopper button.



\* Note that hot water at about 49°C or more is not available with this product to ensure safe operation.

(Conditions: Same supply pressure, water temperature 20°C, Hot water temperature 60°C)

## Warning

- Before supplying water, check the set temperature position of the thermostatic control knob. Failure to follow this instruction may cause hot water to come out and burns. In addition, if you shampoo the customer's hair at a temperature higher than that of the thermostatic control lock position, do NOT operate the thermostatic control knob during the shampoo service. Failure to follow this instruction may cause improper operation by which hot water splashes onto the customer's head and the customer may get burned.
- If you have turned the knob to a temperature higher than that of the thermostatic control lock position, be sure to return it to the thermostatic control lock position after use. If you keep using the equipment at the temperature, hot water may splash onto hands and heads, causing burns.

## Caution

- Before turning the tap, take off metals, such as rings and watches. Failure to follow this brings such metals into contact with the top surface (cap) of the tap, which results in flaws and cracks on the plated surface, causing peeling of the plating.
- Before using, check that there are no flaws, cracks, or peeling of plating on the plated surface of the thermostatic control knob.

# Adjusting the water temperature

- Output volume or hot water temperature may be significantly changed depending on your operation environment.

This phenomenon causes the followings:

- Hot water temperature out of the recommended temperature; 60°C to 80°C.
- Significant difference of the height or pressure of water/hot water supply.
- Use the multiple products simultaneously.

However, these phenomena are not product problems.

You can specify the temperature of hot water to 40°C by using the lock function.

- The hot water adjustment lock position may not reach 40°C depending on the using environment, however, this is not a problem.

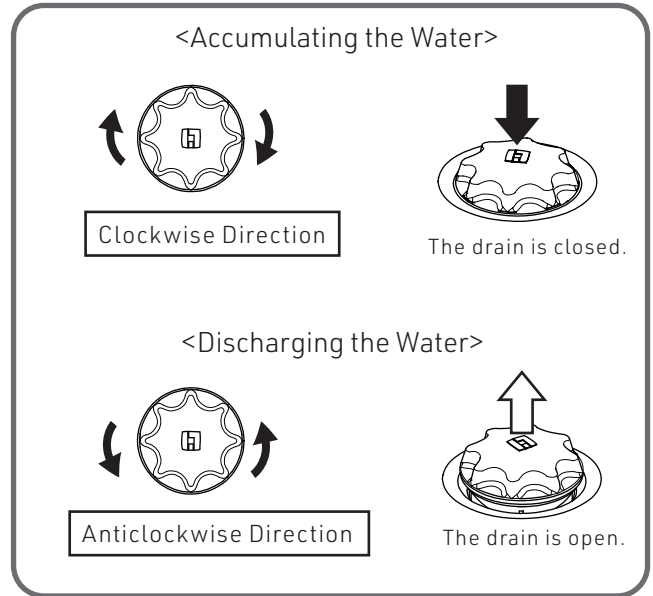
This lock is an auxiliary function to prevent too hot water supply.

# To fill up basin with hot water

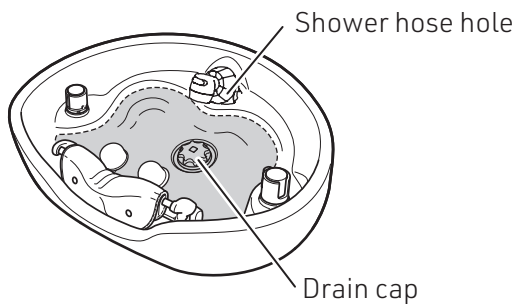
To accumulate hot water for emulsification of hair color, rotate the drain cap in the clockwise direction to close the drain outlet. The amount of water should be below the level shown by the dotted line in the illustration on the below (just below the shower hose slot).

When water accumulates and exceeds the dotted line, water may overflow from the shower hose slot.

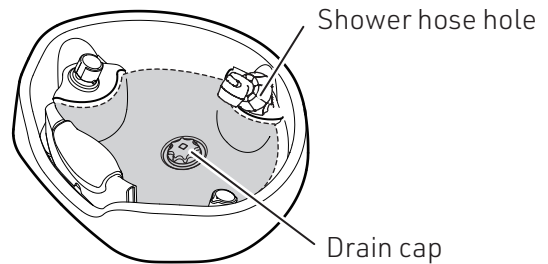
To drain the accumulated water, rotate the drain cap in the counterclockwise direction to open the drain outlet.



For Back wash (same as YUME basin)



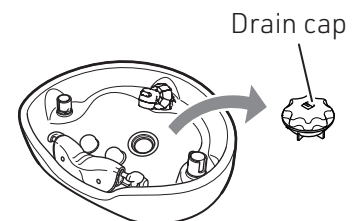
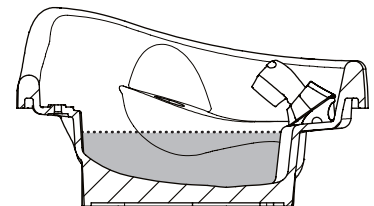
For Side wash basin



## ⚠ Caution

- The amount of water should be below the designated maximum water level. (See right figure.)
- Do not leave the shower head in the water to ensure that water doesn't leak out the shower hose slot. Water may flow back into the water pipe which could cause issues.
- When the drainage speed slows, there is a possibility that dust and dirt may have clogged the drainpipe.
- The drain cap must be detached from the drain outlet when the product is not in use. If the drain cap is not detached, the drain may accidentally close, and the water may overflow from the failure to notice water dripping, thus resulting in water leaks.

Designated maximum water level



The amount of accumulated hot water may decrease slightly in an amount that does not affect use. A small amount of water may flow out, which does not affect use. If the decreasing level is significant, the gasket of the drain cap may have deteriorated or become worn. Replace the drain cap. (Available at additional cost.)

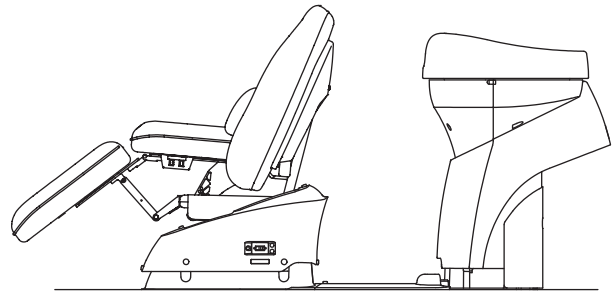


# When shampooing

## 1 Return the seat to its initial position

Check that the seat has returned to its initial position.  
Follow the procedure below to return the seat to its initial position.

- Holding down (pressing for one second or longer) the Seat lowering switch will make the unit "beep", then automatic mode will begin and the seat will return to the initial position.



[Initial position]

When lifting or lowering the seat, check and make sure that there are no people or obstructions near the seat. Failure to follow this instruction may cause injury, or damage the seat.

### ⚠ Warning

- Make sure that there are no people or objects under the seat or basin. In particular, make sure to check for babies or children.
- Check that there are no people or objects between the seat and floor.
- When lifting or lowering the seat, check that there is sufficient space between the customer's feet and wall in front.
- Never touch the switch when working between the seat and basin. Failure to follow this instruction may cause the user to become trapped, leading to injury.

### ⚠ Caution

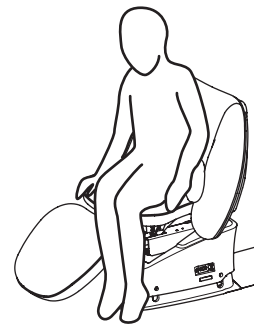
Always check that the seat has returned to its initial position when guiding customers to. Sitting on and getting up from the seat in its lifted position may damage the seat, or cause injury.

## 2 Instruct the customer to sit on the seat from the side

Instruct the customer to sit on the seat from the side.  
Next, instruct them to face the front, and sit back in the seat.

### ⚠ Caution

- Make sure that customer does not sit on the end of the seat. Doing so may cause damage to the seat.
- Be sure to check that the customer's fingers, clothes or objects are not in the gap between the seat and backrest, and that their fingers are on their body or seat. Failure to follow this instruction may cause their fingers to get stuck, leading to injury.
- If the customer wears specially-processed clothes, the colors or patterns may transfer on to the seat.



If customer does not sit back in the seat properly, their back may slide or they may not be able to be guided into the appropriate position.

# When shampooing

## 3 Put a shampoo cloth on the customer

Recommended item: shampoo cloth without dropper

\* When using a shampoo cloth with a dropper, allow the dropper to hang in the gap between the basin and backrest.

## 4 Laying down customer

Holding down (pressing for one second or longer) the Seat lifting switch will make the unit "beep", then automatic mode will begin to guide the customer to the fully-reclined position.

Support the customer's head and place it gently onto the neck cushion.

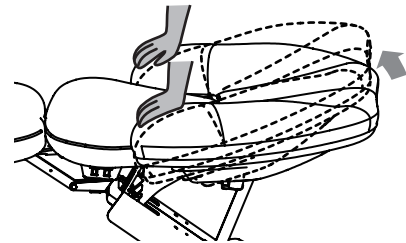
When lifting or lowering the seat, check and make sure that there are no people or obstructions near the seat. Failure to follow this instruction may cause injury, or damage the seat.

### Warning

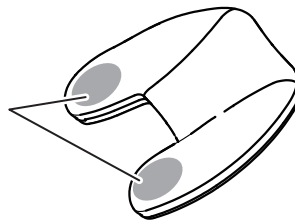
- Make sure that there are no people or objects under the seat or basin. In particular, make sure to check for babies or children.
- Check that there are no people or objects between the seat and floor.
- When lifting or lowering the seat, check that there is sufficient space between the customer's feet and wall in front.
- Never touch the switch when working between the seat and basin. Failure to follow this instruction may cause the user to become trapped, leading to injury.

### Warning

While the seat backrest is set horizontally, make sure that the customer does not sit up. If a force is applied to the armrest of the backrest as shown in the figure on the right, the backrest sits up for a structural reason. In such a case, the customer may lose balance and get injured.



Armrest of backrest



### Caution

Support the customer's head by hand when lowering the backrest. Failure to follow this instruction may cause the customer to hit its head on the basin.

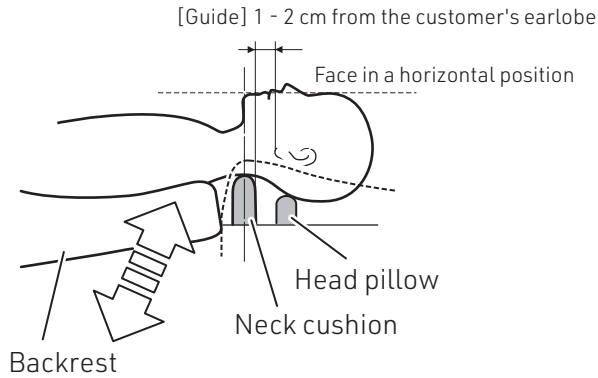
- When the seat is moved up and down, its speed is not constant if no person is sitting on it. The moving up/down speed is set so that the seat moves stably when a person sits on it.
- As the seat up/down movement is driven by a hydraulic device, the moving up/down speed varies depending on the oil temperature by season or the weight of the customer.

# When shampooing

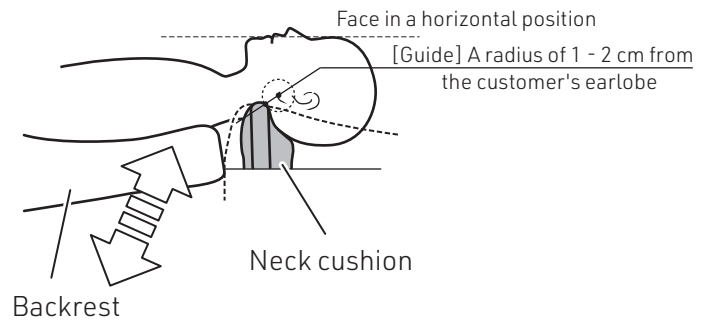
## 5 Check that the customer's face is in a horizontal position.

If their face is not in a horizontal position, instruct the customer to slide forward or backward and make minor adjustments.

For Back wash (same as YUME basin)



For Side wash basin



## 6 Finely adjust the backrest height as necessary.

Repeat short press of the Seat lifting/Seat lowering switch (each press within 1 second) to adjust the height of the backrest.

When making adjustments, the backrest moves...

- up toward the basin when the Seat lifting switch is pressed briefly.
- down away from the basin when the Seat lowering switch is pressed briefly.

### ⚠ Caution

When finely adjusting the backrest height, pay attention so that the automatic operation is not selected. Holding down the Seat lifting or Seat lowering switch to the automatically operation, possibly causing the customer to be injured.

## 7 Shampoo the customer's hair

### ⚠ Warning

Make sure that customers or other people do not touch the foot control while shampooing. Carelessly operating the switch may cause injury.

[Shampooing style]

Back wash shampoo (seated position)

The user sits behind to the basin and shampoos from the rear.



Side wash shampoo

The user stands next to the basin and shampoos from the side of the basin.



# When shampooing

When operating the seat during shampooing, observe the following points while working.

## Warning

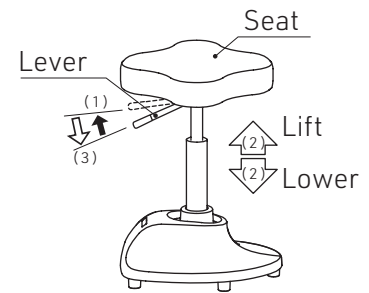
- When lowering the seat, check that there are no people or objects under the seat. In particular, make sure to check for babies or children.
- When lifting or lowering the seat, check that there is sufficient space between the customer's feet and wall in front.

When performing back wash shampooing (seated position), use the specially-designed ESPOIR stool (sold separately, part No.: ES-ESST).

<How to adjust the ESPOIR stool height>

- (1) Raise the lever while sitting down on the stool to release the lock.
- (2) Adjust the stool to the desired height.
- (3) Return the lever to lock the stool.

For more information, see the instruction manual supplied with the stool.



## 8 After shampooing is complete, return the seat to the initial position.

Check that there are no people or obstructions around the seat and basin.

Holding down (pressing for one second or longer) the Seat lowering switch will make the unit "beep", then automatic mode will begin and the seat will return automatically to the initial position.

Support the customer's head when returning the seat to the initial position.

## Warning

- After checking that the seat has returned to the initial position, guide the customer to stand up from the seat. Customers standing up from the seat while it is moving may result in injury, or cause damage to the main body.
- When lowering the seat, check that there are no people or objects under the seat. In particular, make sure to check for babies or children.
- When lifting or lowering the seat, check that there is sufficient space between the customer's feet and wall in front.

- When the seat is moved up and down, its speed is not constant if no person is sitting on it. The moving up/down speed is set so that the seat moves stably when a person sits on it.
- As the seat up/down movement is driven by a hydraulic device, the moving up/down speed varies depending on the oil temperature by season or the weight of the customer.

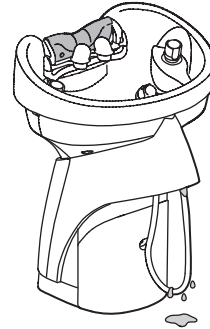
# When shampooing

## 9 After use, wipe off any water on the product.

Water on the main body cover or the outside surface of the basin

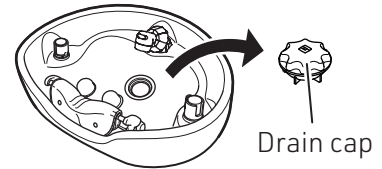


Water dripping onto the floor via the shower hose



### Caution

- After use, wipe water away from all parts other than the basin. Leaving the unit with water on it may cause damage to the main body, and make dirt difficult to remove.
- The drain cap must be detached from the drain outlet when the product is not in use. If the drain is not detached, the drain may accidentally close, and the water may overflow the basin from the failure to notice water discharge, thus resulting in water leaks.



# Space between the seat and basin

This product allows the user to stand between the seat and basin to apply hair color or hair treatment from behind the customer.

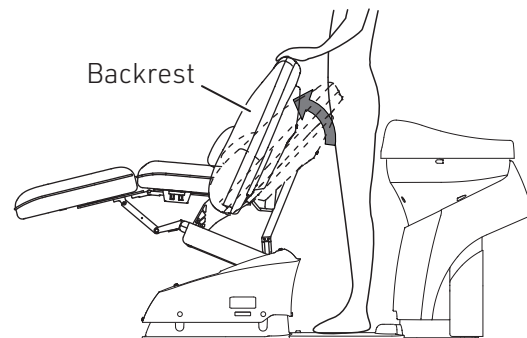
Observe the following points when standing between the seat and basin.

## Caution

- Do not lean against the basin when working.  
Doing so may cause the basin to fall over. Hair color on the neck cushion or basin may stain the user's clothes.
- Be careful to accidentally operate the foot control while working. If someone come close to get trapped, follow the steps provided in "Description of backrest anti-trap mechanism" to avoid danger.
- Be careful to items being carried while working.  
Carrying metallic objects such as scissors while working may scratch the basin.

## Description of backrest anti-trap mechanism

If the user come close to get trapped between the backrest and basin due to accidental operation of the foot control, the backrest can be raised to allow the user to get out from the space.  
If the backrest falls down while working between the seat and basin, get out from the space as soon as possible and cancel the automatic return function (for more information, see "Automatic mode cancellation function" on page 26).



# Maintenance

Conduct the after-use care and always keep this product clean for later use.  
The untreated stains may cause mold.

## Warning

- Turn off the power switch and pull off the power plug when conducting maintenance. There is a risk of electrical shock or ignition. Furthermore, an unexpected action of this product may cause an injury.
- Do not splash water for washing. There is a risk of failure or electrical shock.

## Caution

The metallic parts or mechanical structure of this product has sharp edges. Pay attention to avoid hurting the hands or fingers when cleaning.

## Maintenance of various components

### leather component, Resin component

Conduct dry wiping using a soft, dry cloth.

For severe stains

Wipe using a soft cloth dipped in neutral detergent diluted ten times with water, then wipe with water, then wipe with a dry cloth thoroughly.

### Operational component, Metallic component

Wipe dry using a soft, dry cloth.

Do not conduct water wiping because the device hates humidity or water. When water is splashed, promptly wipe off. It may cause failure of the electrical components.

- Never use the following substances:

The volatile chemicals, such as thinner, alcohol, remover, gasoline, and kerosene, acid, alkaline or chloric detergents, antiseptic solution strongly corrosive to metals (povidone iodine [isodine solution], sodium hypochlorite, etc.), waxes containing abrading agent, sponges containing abrading agent, etc.

- Do not use brushes, scrubbers, etc., for maintenance. It may leave scratches or stains.  
However, they can be used as an exception in the following cases.

\* Use of the teeth brush on the watering plate and foam nozzle [pages 42 and 43]

\* Use of melamine sponge on the ceramic part inside the basin [page 40]

- Do not use detergents that contain organic solvent or abrading agent, breaching agent, etc., for cleaning the leather components.

The surfaces may deteriorate, and the quality and gloss may change.

When restarting the use of this product after not using for a certain period, clean before using.  
After cleaning, be sure to confirm normal operation of this product.

# Maintenance

## Base plate

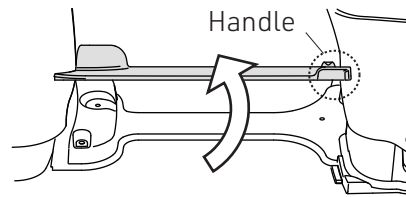
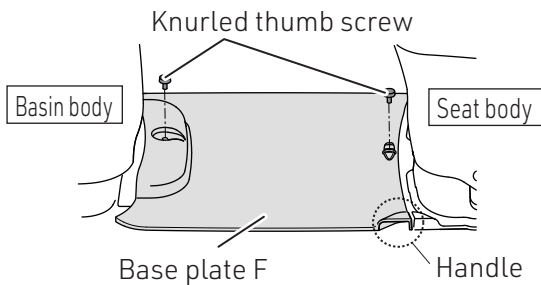
When cleaning the inside of the base plate, remove base plate F and clean inside.

Water may pool within base plate F.

Leaving water pooling within the base plate may lead to corrosion or degradation, so clean the inside of the base plate every day.

**1** Remove the Knurled thumb screws (2).

**2** Use the handle to raise base plate F, remove it, and clean it.

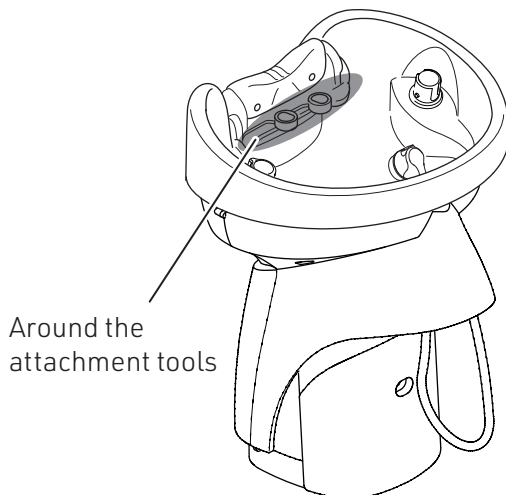


## Basin

Wipe the basin with a soft cloth moistened with a diluted solution of one part neutral detergent and ten parts water, wipe it with a cloth moistened with water, and then wipe it with a dry cloth. If dirt is adhered to the ceramic part inside the basin and cannot be removed, rub the dirt with a melamine sponge.

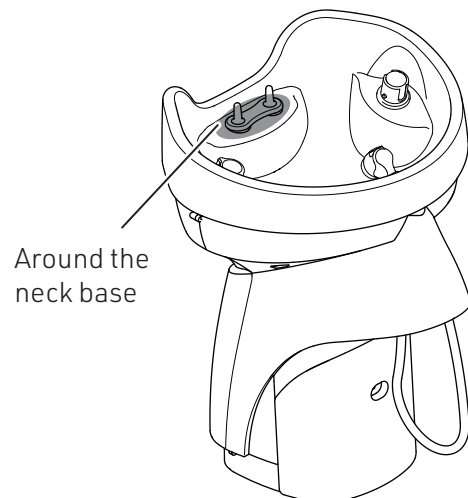
### For Back wash (same as YUME basin)

Carefully clean around the neck cushion and head pillow attachment tools with an item such as a cotton-tipped swab.



### For Side wash basin

Carefully clean around the neck base with an item such as a cotton-tipped swab.





# Maintenance

## Drain cap

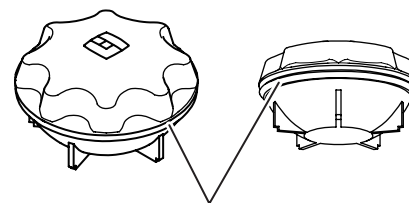
Wash around the drain cap, and remove any hair or dirt from solvents.

The drain cap is a consumable supply.

If it is extremely dirty, remove the gasket from the drain cap, wash with detergent solution diluted using water, and rinse carefully with water.

Replace the gasket if degradation causes water to leak quickly when the basin is filled with water.

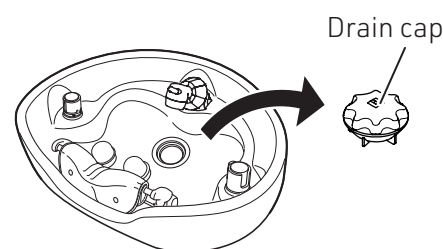
(available at additional cost)



Drain cap gasket

### Caution

The drain cap must be detached from the drain outlet when the product is not in use. If the drain is not detached, the drain may accidentally close, and the water may overflow the basin from the failure to notice water discharge, thus resulting in water leaks.

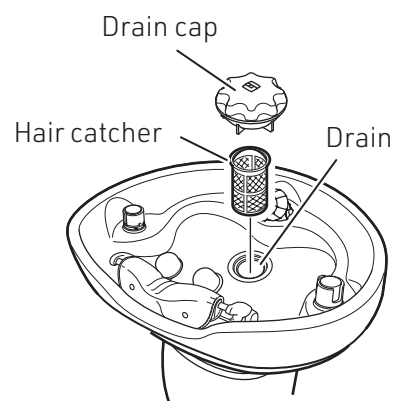


- The drain cap should be handled carefully. It may break if it is dropped.
- The drain cap gasket is fixed on the drain cap. If you try to remove it forcibly, the gasket may be damaged and the water in the basin may decrease at a faster pace.

## Hair catcher

Pull out the hair catcher located under the drain cap and remove any hair that has been caught. The hair catcher is a consumable supply. Replace the hair catcher if it is extremely dirty or the surface has deteriorated.

(available at additional cost)



### Caution

Clean the hair catcher as regularly as possible. Continuing to use the hair catcher without cleaning can cause the drain to become blocked with hair, leading to water overflowing and unhygienic conditions. Try to clean the hair catcher after each shampoo.

# Maintenance

## Shower head

### Dual function shower head

- 1 Rotate and detach the shower head plate and remove the three parts (shower head plate, foaming water outlet, and rubber gasket).**

Do not detach the O-ring.

- 2 Clean the shower head plate (with water).**

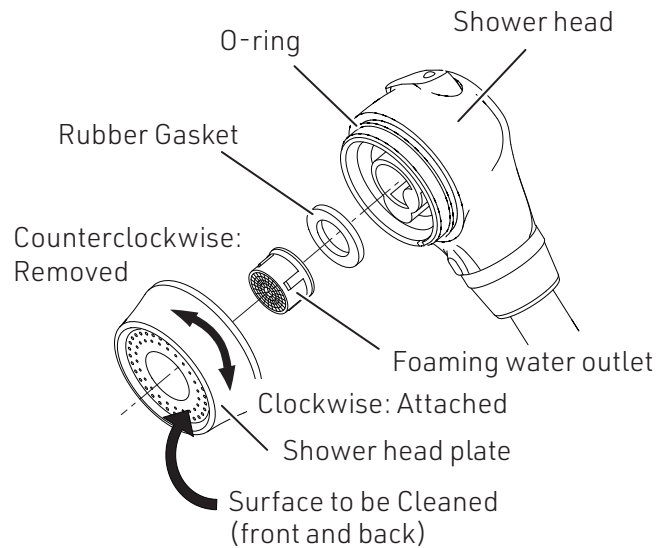
- Clean the water spray plate once a week.
- Remove dirt, such as water stain in the shower holes on the shower head plate, with a toothbrush.

- 3 Clean the foaming water outlet with water.**

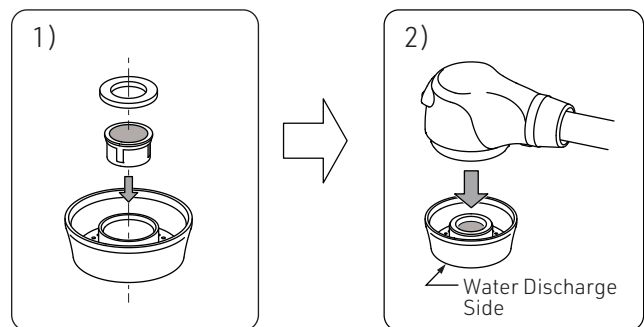
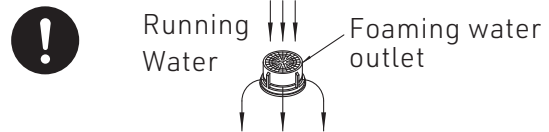
- Clean the unit once a month (as a general guide).
- Remove dirt, such as water stain on the foaming water outlet, with a toothbrush.

- 4 Reassemble the shower head.**

- 1) Insert the foaming water outlet and the rubber gasket in the shower head plate in this order.
- 2) Mount the shower head plate on the shower head main unit, while the water discharge side of the shower head plate facing down.



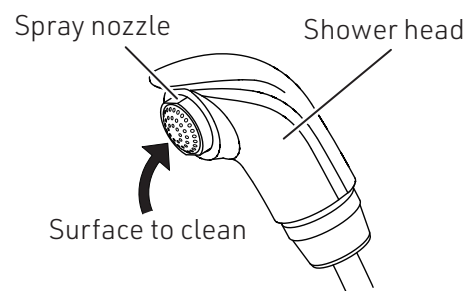
The foaming water outlet should be rinsed with running water in the direction shown in the illustration below:



### YUME shower head

- 1 Clean (wash) the spray nozzle.**

Use an item such as a toothbrush to remove any dirt such as water scale within the holes where the water is output from the spray nozzle surface.



# Maintenance

## Side shower head

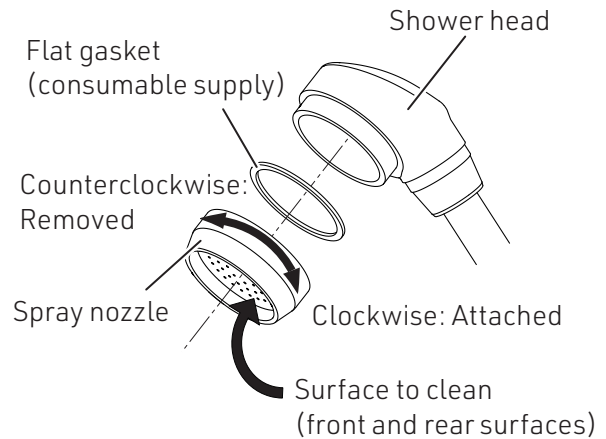
**1** Rotate and remove the shower head, and remove the two parts (spray nozzle, flat gasket).

**2** Clean (wash) the spray nozzle.

- Clean the water spray plate once a week.
- Use an item such as a toothbrush to remove any dirt such as water scale within the holes where the water is output from the spray nozzle.

**3** Reassemble the shower head.

Take care not to forget the flat gasket.



## Neck cushion, head pillow

At the end of work each day, wash the neck cushion and head pillow with water, wipe them dry with a towel, and allow them to dry in the shade.

If they are extremely dirty, wash with detergent diluted with water, and rinse carefully with water.

The neck cushion and head pillow are consumable supplies. Replace them if they are extremely dirty or the surface has deteriorated. (available at additional cost)

### Caution

- If solvents drip onto the neck cushion or head pillow, rinse with water as soon as possible. Failure to follow this instruction may cause deformation or discoloration.
- Clean the neck cushion and head pillow every day. Leaving dirt uncleaned may cause them to get moldy.

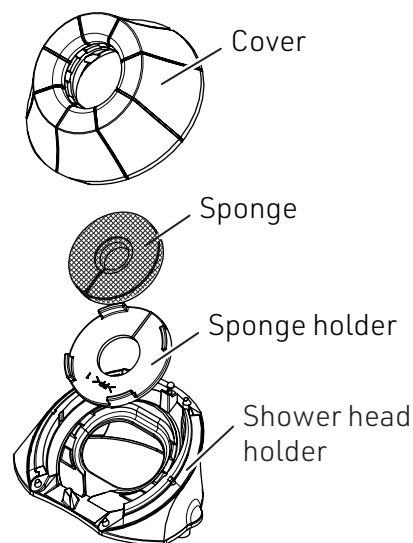
# Maintenance

## Sponge

Sponge is consumable supply.  
Replace the sponge if degradation causes rubbing sound when the hose is moving. (Available at additional cost)

Remove the cover from the holder. [Page 19]

- Remove the sponge from the hose and wash with water.
- After washing the sponge with water, squeeze it like pressing with both hands.
- Clean the sponge every day.
- After cleaning the sponge, put it in the hose and put it back on the cover.



### Caution

- Please keep the sponge in the net.  
If the sponge protrudes from the end of the net, return it to the net.
- Do not twist the sponge as it may damage the parts.
- Be careful not to mistake the direction of the sponge.  
The harder side is above.

## Cover

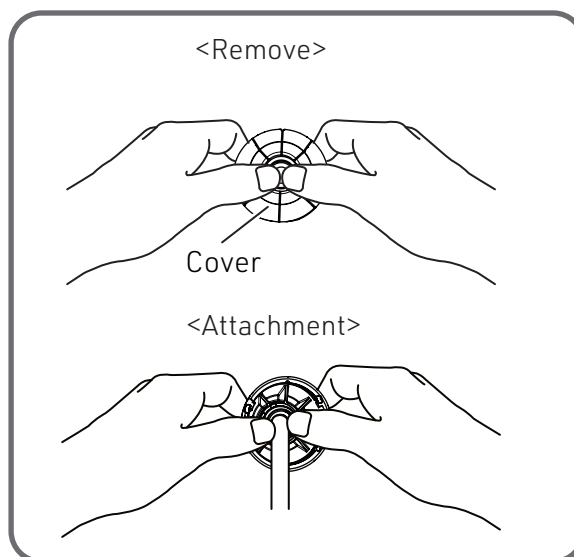
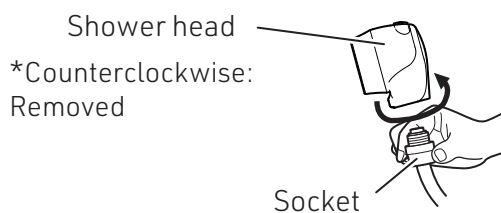
Replace the cover if it easily comes off repeatedly when the hose is moving. (Available at additional cost)

[Replacement method]

- 1** Remove the shower head.  
(The figure on the right)
- 2** Remove the cover from the shower hose.  
Push the socket to remove the cover.

- 3** Install a new cover.

Tips for installation.  
Put the socket into a plastic bag and push the cover to make it easier to enter.



# Maintenance

## Strainer

To use the basin for a long period of time, clean the strainer (inside the check valve) regularly. If temperatures are expected to drop below freezing in cold regions, drain the water from the check valve.

### ⚠ Caution

- In cold regions, always drain the water as a measure to prevent freezing. Failure to follow this instruction may cause water leakage.
- When cleaning or draining the water from the strainer, ensure that water does not splash onto nearby electrical components. Failure to follow this instruction may cause malfunctions or a ground leak fire.

### 1 Prepare cloth (two or more) to soak up water.

### 2 Remove the maintenance cover.

Remove the Knurled thumb screw (1) of the maintenance cover.

\* Take care not to lose the Knurled thumb screw that has been removed.

After removing the maintenance cover, check that there is no water leakage within the basin. If there is water leakage, the pipes within the basin may be damaged.

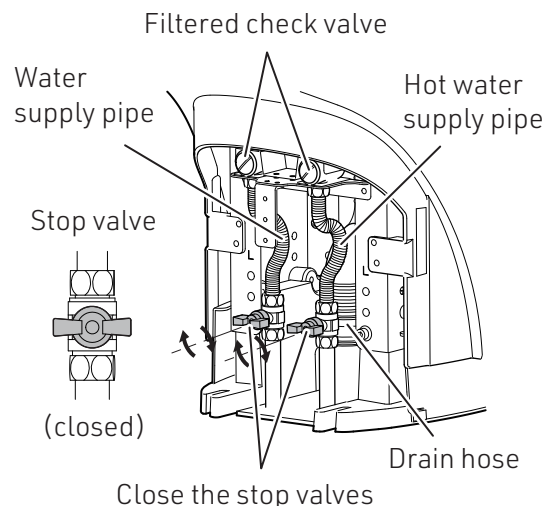
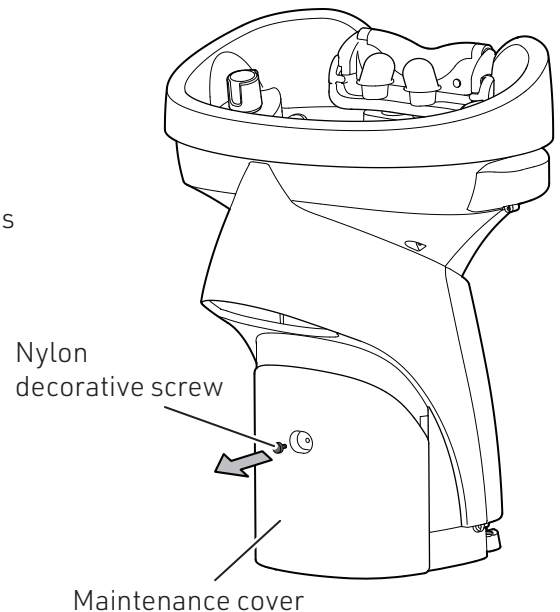
### 3 Cover the floor around the water and hot water supply pipe with cloth.

### ⚠ Caution

- If there are electrical components such as wires nearby, ensure that water does not splash onto them. Failure to follow this instruction may cause a ground leakage fire.
- The hot water supply pipe may become very hot. Take care not to touch the pipe directly.

### 4 Close the hot water and water stop valves.

To prevent water leakage, always check that the stop valves are completely closed before cleaning or draining the water from the strainer.



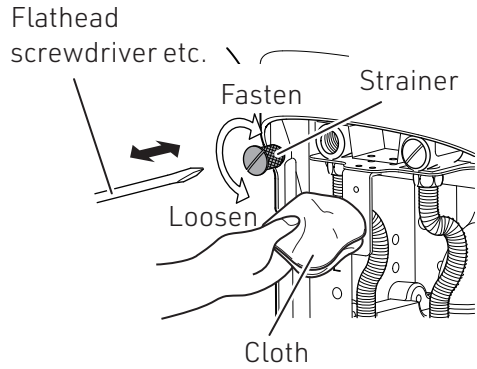
# Maintenance

## 5 Remove the strainer and drain the water while holding a cloth under the filtered check valve.

Tools required: Flathead screwdriver

### ⚠ Caution

Removing the strainer from the hot water supply pipe may cause hot water to spill out. Take extra care when draining the hot water.



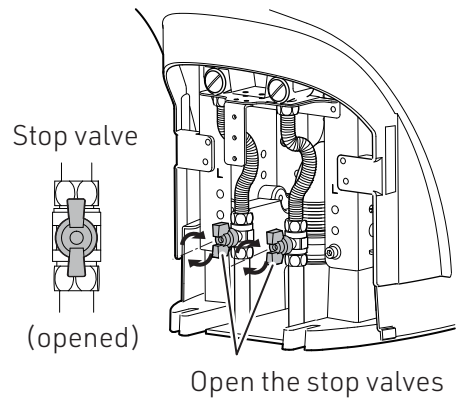
## 6 After cleaning the strainer, return it to the original filtered check valve and fasten properly.

\* Drain the water and clean both the water supply pipe and hot water supply pipe.

## 7 Wipe any water that has spilled, and remove the cloth used.

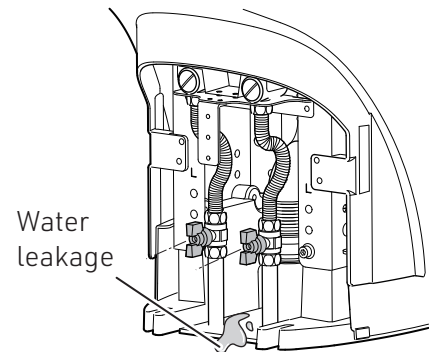
### ⚠ Caution

- Fasten the strainers properly. Water may leak if the strainers are loose.
- If waste water spills on to the floor, wipe it dry immediately.



## 8 After checking that the strainers have been fastened properly, open the stop valves.

## 9 Return the maintenance cover to its original position, and attach the Knurled thumb screw (1) to the main body.

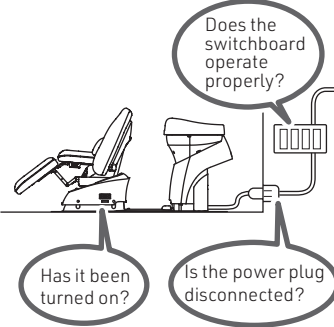


[Checking for water leaks]

Open the maintenance cover once per week (as a guide) and check that water is not leaking onto the floor. If there is water leakage, the pipes within the basin body may be damaged.

# Before Requesting Repairs

If the following problems occur, check the product before asking for repairs. If normal operation is not restored, immediately stop using the seat, turn OFF the power switch, pull the power plug, and contact our agent.

Symptom	Check this	Solution
<p>The seat, backrest or legrest does not move</p> 	Is the power plug completely inserted to the end?	Insert the power plug into the power outlet all the way to the base. [page 24]
	Is the power turned on?	Turn the power switch on. [page 24]
	Has the fuse or circuit breaker in the store's switchboard blown or tripped?	Replace the fuse or turn the circuit breaker ON.
	Has this product been used continuously for long periods of time?	<p>This is due to the overheat protection system operating.                      ⇒Leaving the product to stand for 10 minutes will make it return to normal.</p> <div style="border: 1px solid black; padding: 2px; width: fit-content;"> <b>Overheat protection system</b> </div> <p>Protective circuit that stops the motor if the product has been used continuously, to prevent overheating of the internal mechanisms. This product may be temporarily unresponsive when the overheat protection system has been activated.</p>
There is no hot water.	Are the stop valves in the pipes open? [page 46]	Open the stop valves. [page 46]
There is a sound when the hot water is turned on.	Does the sound change if the taps are turned to adjust the volume of water?	Adjust the volume of water. [page 29]
	When you detach the foaming water outlet [page 42] and turn on the hot water, does the sound stop?	Clean the clogged portion of the foaming water outlet [page 42].
The temperature of the hot water is low.	Is the set temperature of the water boiler appropriate?	Adjust the set temperature of the water boiler to an appropriate temperature.
	Is the temperature set with the thermostatic control knob appropriate?	Adjust the set temperature to an appropriate level using the thermostatic control knob. [page 30]
The water does not drain well.	Is hair blocked in the hair catcher?	Remove the hair trapped in the hair catcher. [page 41]
The cover has come off.	Attach the cover. [page 19]	Replace the cover if it easily comes off repeatedly when the hose is moving.
When the hose is moved, it makes a sound.	The sponge is protruding from the end of the net.	If there is sound even though the sponge is in the net, replace the sponge. (Available at additional cost)
	The surface of the shower hose has deteriorated and is rough. (The cover and shower hose rub and make noise.)	Replace the shower hose, if wiping the surface of the shower hose with a wet towel does not improve. (Available at additional cost)

# Before Requesting Repairs

Symptom	Check this	Solution
Noise is heard when the seat is started.		It is caused by cold lubricant oil inside. It does not influence the product function and will cease shortly. If it continues after a while, stop using the seat and contact your local Takara Belmont dealer for advice.
Seat movement is slow.		It is caused by cold lubricant oil inside. Normal operation will be restored if the room temperature rises or if the product is operated for a while. If the seat movement remains abnormal, stop using it and contact your local Takara Belmont dealer for advice.

# Daily Inspections

Conduct the check below for safe use of the product.



## Warning

Be sure to conduct the daily inspection according to the following table. If you use this product without conducting the daily inspection, you or another person may be injured or this product or a peripheral device may break.

### Inspect the product every day

Inspect item	Inspection method	If the inspection results show defects
Does the basin, backrest or seat rattle?	Slowly push the rear end of the basin, top of the backrest or the front end of the seat in each direction, and check whether they rattle.	Rattling may cause incorrect operation or damage in the main body, or cause it to fall over. Stop using the product.
Is the seat operating properly?	Turn the power switch on and check that a warning sound is not emitted intermittently.	Turn the power switch off, and turn the power on again after 5 seconds. If the warning sound continues to be emitted, there may be a malfunction in the position detector. Stop using the product, and turn the power switch off.
	Check that the seat moves properly to the position set by the preset function.	Follow the procedures outlined in "How to set the preset position" [page 27] to change the preset position and operate the seat. If the seat still does not operate properly, stop using the product and turn the power switch off.
	Check that the seat returns properly to the initial position using the automatic return function.	Customers may not be able to get on or off the seat safely. If the seat does not operate properly, stop using the product and turn the power switch off.
	Check that the Seat lifting switch or Seat lowering switch lifts or lowers the seat.	Customers may not be able to get on or off the seat safely. If the seat does not operate properly, stop using the product and turn the power switch off.
	Check that there is no rattle or abnormal noise when the seat is operating.	If there is rattle or abnormal noise when the seat is operating, stop using the product.



# Daily Inspections

## Inspect the product every day

Inspect item	Inspection method	If the inspection results show defects
Is the seat operating properly?	With the backrest lifted in its highest position, push the backrest toward the basin and check that there is no bouncing.	Bouncing may cause incorrect operation in the seat. Stop using the product.
	Move the seat to any position, and check that it has stopped and has not lowered after a certain period of time.	Stop using the product if the seat does not stop a certain period of time and lowers.
Is water output from the shower head properly?	Turn the water on and check visually that water is output from the shower head properly, that there are no water leaks from the water outlet or base of the shower head, and that the hot water is not tainted.	If water is leaking from the water outlet or base of the shower head, the internal gasket may be worn and replacement is required.
		If hot water is not output properly or is cloudy, the check valve strainers may be dirty. Clean the strainers. [page 45, 46]
		If water sprays in random directions from several holes, the spray nozzle may be blocked with water scale or dirt. Remove the spray nozzle and clean it. [page 42, 43]
Does the thermostatic control knob work properly?	Turn the thermostatic control knob, check that the water temperature is adjusted properly and that there is no abnormal noise. * An abnormal gushing sound may be emitted as water flows. [page 30]	If the water temperature cannot be adjusted properly or if there is abnormal noise, there may be a problem with the thermostat within the basin. Stop using the product immediately.
Does the plating of the thermostatic control knob and tap come off?	Visually check the appearance of the thermostatic control knob and tap for scratches, cracks, or peeling of plating on the plated surfaced surface.	Scratches, cracks, or peeling of the plating may cause hand injuries.
	During operation or maintenance, check whether there is any stuck or a feeling of strangeness.	
Can the basin be filled with water?	Check that the drain cap can be used to block the drain and that water filling the basin does not drain.	When the water decreases quickly, there is a possibility that the drain cap gasket has deteriorated. The drain cap is a consumable part. Immediately replace it. [page 41]
Has the mohair tape degraded?	Check that the mohair tape has not peeled off, and that there is no significant dirt or degradation.	Clean the tape following the procedures outlined in "mohair tape instruction" supplied with the mohair tape (accessory).
Is there an abnormal odor from the seat?	Is there an abnormal odor from the seat?	Abnormal odor or smoke may cause abnormal operation or a fire. Stop using the product immediately, and turn the power switch off.
Is there any water leaking from the basin?	Check that there is no water on parts other than the inside of the basin.	Water leaks may cause malfunctions to the main body, or make dirt difficult to remove. Wipe water away from all parts other than the inside of the basin.

# Daily Inspections

## Inspect the product every day

Inspect item	Inspection method	If the inspection results show defects
Have the neck cushion and head pillow degraded?	Check that there is no tearing, dirt or sinking of the neck cushion and head pillow surface.	These may cause pain or transfer dirt to the customer's neck and head. The neck cushion and head pillow are consumable supplies. Replace them as soon as possible.
Is there an abnormal odor coming from the basin drain?	Check if there is an abnormal odor coming from the basin drain.	Remove any hair and other objects trapped in the hair catcher. [page 41]
Is there any water leaking from the basin installation surface?	Visually check around the basin installation surface to see if there are any water leaks.	Water may be leaking from inside the basin. Open the maintenance cover and check inside [page 45], and stop using the product immediately if there is water leaking from the pipes.
	Check that there is no water pooled inside base plate F. [page 40]	
Does the tap work properly?	Turn the tap and check if hot water is output properly and that there is no abnormal noise, then close the tap and check that hot water stops properly. * An abnormal gushing sound may be emitted as water flows. [page 29]	If there is abnormal noise or the water does not turn off properly when the tap is closed firmly, there may be a malfunction in the stop valves of the tap.
There is a strange odor from shower head holder.	Check if there is a strange odor from shower head holder.	Replace the sponge, if the smell of sponge becomes a concern from outside the shower head holder. (Available at additional cost)
Is there any oil leaking?	Check that there is no oil around the bottom of the seat base cover.	Oil may be leaking from the hydraulic cylinder. Stop using the product immediately.

## Always inspect the product after work every day

Inspect item	Inspection method	If the inspection results show defects
Is the drain blocked?	Check that the drain is not blocked with the drain cap, towel or shampoo cloth.	Remove the object that is blocking the drain. If the drain is blocked, water that is turned on accidentally or a slight trickle of water due to an increase in water pressure at night may cause water to spill from the basin, leading to water leakage.
Has the tap been turned firmly?	Turn the taps firmly in a clockwise direction and check that the water turns off properly.	Turn the taps firmly and turn the water off properly. If the water does not turn off completely, there may be a malfunction in the stop valves of the tap. Close the stop valves in the water supply pipe and hot water supply pipe [page 45, 46], and stop using the product immediately.

# Daily Inspections

## Inspect the product once per week

Inspect item	Inspection method	If the inspection results show defects
Is there any water leaking within the basin?	Remove the basin maintenance cover and check that there is no water leaking from the internal pipes or water taps. [page 45, 46]	If water is leaking from the pipes, the pipes or gasket may be worn, degraded or damaged. Close the stop valves in the water supply pipe and hot water supply pipe [page 45, 46], and stop using the product immediately.
Is there any water leaking from the drain hose?	Remove the basin maintenance cover and check that there is no water leaking from the drain hose. [page 45, 46]	If water is leaking from the drain hose, the drain hose may be damaged. Stop using the product immediately.
Is there any water scale or dirt blocking the spray nozzle?	Remove the spray nozzle from the shower head and check that there is no water scale or dirt on it. [page 42, 43]	Use an item such as a toothbrush to remove any dirt such as water scale and clean the spray nozzle. Leaving the spray nozzle uncleaned will lead to blockage, and water may not be output from the shower head properly.

# Standard Duration of Use

The standard period of use of this product is seven years.

The standard period of use is "a guide for the standard period that this product can be used properly from a safety perspective, when conducting appropriate maintenance and inspections (including replacement of parts) for the standard usage conditions for each product."

This is not the same as the warranty period.

# Parts Replaced on a Regular Basis

The following are parts that must be replaced on a regular basis as designated by our company:

Drain hose: Replace every three years

- For the drain hose, there is a possibility that water leaks will occur because cracks are caused due to deterioration and hardening of the hose from chemical agents in the drain water.
- Damage to the hose may result in water flooding on or beneath the floor.

Check valve: Replace every three years

- When the check valve is used continuously for long periods of time, there is a possibility that the parts in the valve will deteriorate resulting in no water discharging, or sometimes, the sewage water once discharged from the water faucet will flow back, thus causing contamination of city water or public health problems.

Water/hot-water supply hose: Replace every three years

- For the water/hot-water supply hose, there is a possibility that cracks due to deterioration caused by equipment operation or residual chlorine or copper ions in the city water will cause water leaks.
- Damage to the hose may result in water flooding on or beneath the floor.

The above-listed parts must be replaced on a regular basis to ensure and maintain safety and performance.

Any part that is outside the designated replacement period must be replaced even if there is no problem during use. (The parts are available at additional cost.) Our company will not assume responsibility for any harm, damage, or defects attributed to any part that was not replaced within the designated period. For ordering replacement work, contact your local Takara Belmont dealer.

## Consumable Supplies

The following parts are "consumable supplies" and wear, degradation, changes in external appearance and damage are expected.

Please note that repair or replacement of these parts is not covered by warranty, and a fee will be required.

(\* The level and period of wear, degradation or damage may differ depending on the environment and conditions that the customer uses this product in)

Inspections or replacement of parts will be required if there is extensive wear, degradation or damage.

Consumable supplies (the following parts are not covered by warranty, and a fee will be required)

- Neck cushion   - Head pillow   - Drain cap   - Hair catcher   - Sponge
- Shower head holder cover   - Mohair tape   - Various rubber gasket   - Shower hose
- Dual function shower head foaming water part (foaming water outlet, gasket)
- Lubricant (oil, grease, etc)   - Lumber cushion (SUITE and NOBLE only)

External scratches or dirt, degradation or fading of the following external parts are not covered by warranty.

\* External parts

- Covers, frames, basin
- Leathered surfaces (backrest, seat, legrest)
- Taps (such as water tap, thermostatic control knob)
- Other (such as shower head, shower head bracket)

## Disposing of This Product

When disposing of this product or replaced parts, adhere with current regulations and dispose of them appropriately.

## After-sales Service

To request after-sales service, contact your local Takara Belmont dealer.

# Specifications

Part No.	Basin body	: EX-ESYM* [Rear basin] : EX-ESSS* [Side basin] (* Represents the variation of height, showerhead, and color.)		
	Seat body	: SC-ESBF* [ESPOIR Fixed legrest] : SC-ESBL* [ESPOIR Movable legrest] : SC-YMSI* [SUITE] (* Represents the variation of color.)		
	Seat	: SU-ESBF* [ESPOIR Fixed legrest, Basic type seat specifications] : SU-ESBL* [ESPOIR Movable legrest, Basic type seat specifications] : SU-ESPF* [ESPOIR Fixed legrest, Premium type seat specifications] : SU-ESPL* [ESPOIR Movable legrest, Premium type seat specifications] : SU-YMSI* [SUITE] : SU-YMNB* [NOBLE] (* Represents the variation of color.)		
	Base plate	: EA-ESBP		
Drive method	Electronic and hydraulic			
External dimensions	See "Dimensions" [page 55 to 60]			
Initial seat height	ESPOIR	: L height: 430 mm / M height: 455 mm / H height: 480 mm		
	SUITE / NOBLE	: L height: 445 mm / M height: 470 mm / H height: 495 mm		
Vertical stroke	205mm			
Reclining angle (angle from horizontal)	[Automatic return] 70° to [Preset] 8°			
Legrest angle (angle from horizontal)	ESPOIR	Fixed legrest	: 15°	
		Movable legrest	: [Automatic return] 45° to [Preset] 10°	
	SUITE / NOBLE	: [Automatic return] 35° to [Preset] 0°		
Neck height	Rear basin	: H type	800mm	
	Side basin	: L type	750mm	
		: M type	775mm	
		: H type	800mm	
Mixing method	Thermostat type			
Output method/output volume	Dual function shower head	Shower outlet	: 10.0 L/min	
		Low splash foaming mode	: 6.6 L/min	
	YUME shower head	Shower outlet	: 10.0 L/min	
	Side shower head	Shower outlet	: 12.0 L/min	
Stop valve	Single valve (with tap)			

The dimensions listed above may vary slightly from product to product.

# Specifications

Rated voltage	AC 110 V	AC 220 V	AC 230 V	AC 240 V
Rated frequency	50 / 60 Hz	50 / 60 Hz	50 / 60 Hz	50 / 60 Hz
Rated power consumption	4.3 / 2.8 A	1.7 / 1.6 A	1.9 / 1.6 A	2.1 / 1.7 A
Usage environment	Operating temperature of 10 to 30°C Operating humidity of 95% or less (ensure no condensation)			
Weight	Basin body	: EX-ESYM*	: 37.0 kg	
		: EX-ESSS*	: 34.0 kg	
	Seat body	: SC-ESBF*	: 46.5 kg	
		: SC-ESBL*	: 48.0 kg	
		: SC-YMSI*	: 48.0 kg	
	Seat	: SU-ESBF*	: 13.0 kg	
		: SU-ESBL*	: 12.0 kg	
		: SU-ESPF*	: 13.0 kg	
		: SU-ESPL*	: 12.0 kg	
		: SU-YMSI*	: 12.0 kg	
		: SU-YMNB*	: 12.5 kg	
	Base plate	: EA-ESBP	: 2.0 kg	
Load	135 kg			

The dimensions listed above may vary slightly from product to product.

# Dimensions

[Unit : mm]

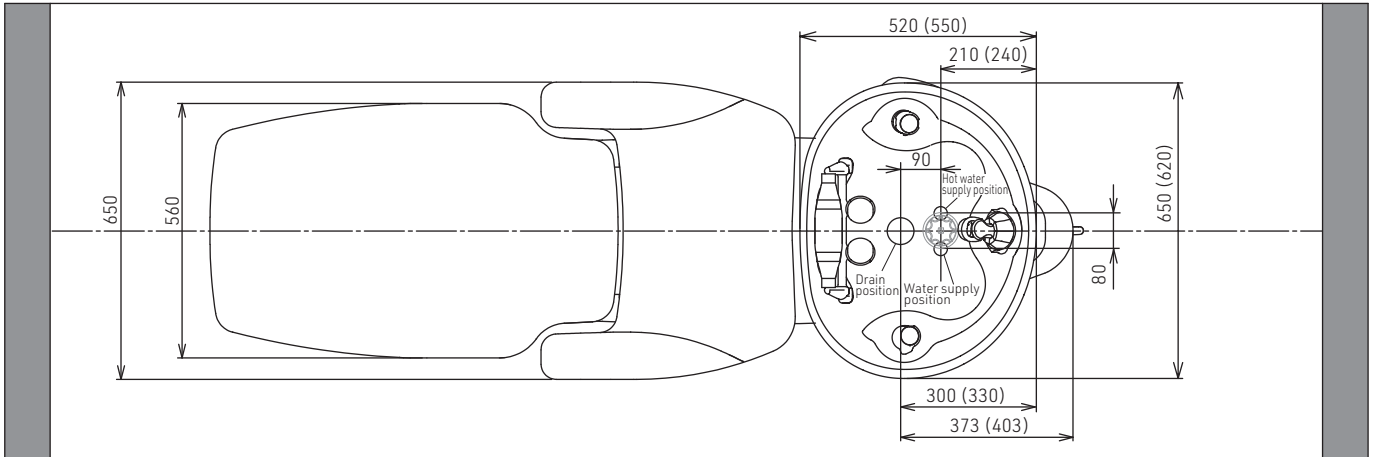
## Overall layout diagram : YUME ESPOIR

Basin body: EX-ESYM\* [For Back wash (same as YUME basin)]

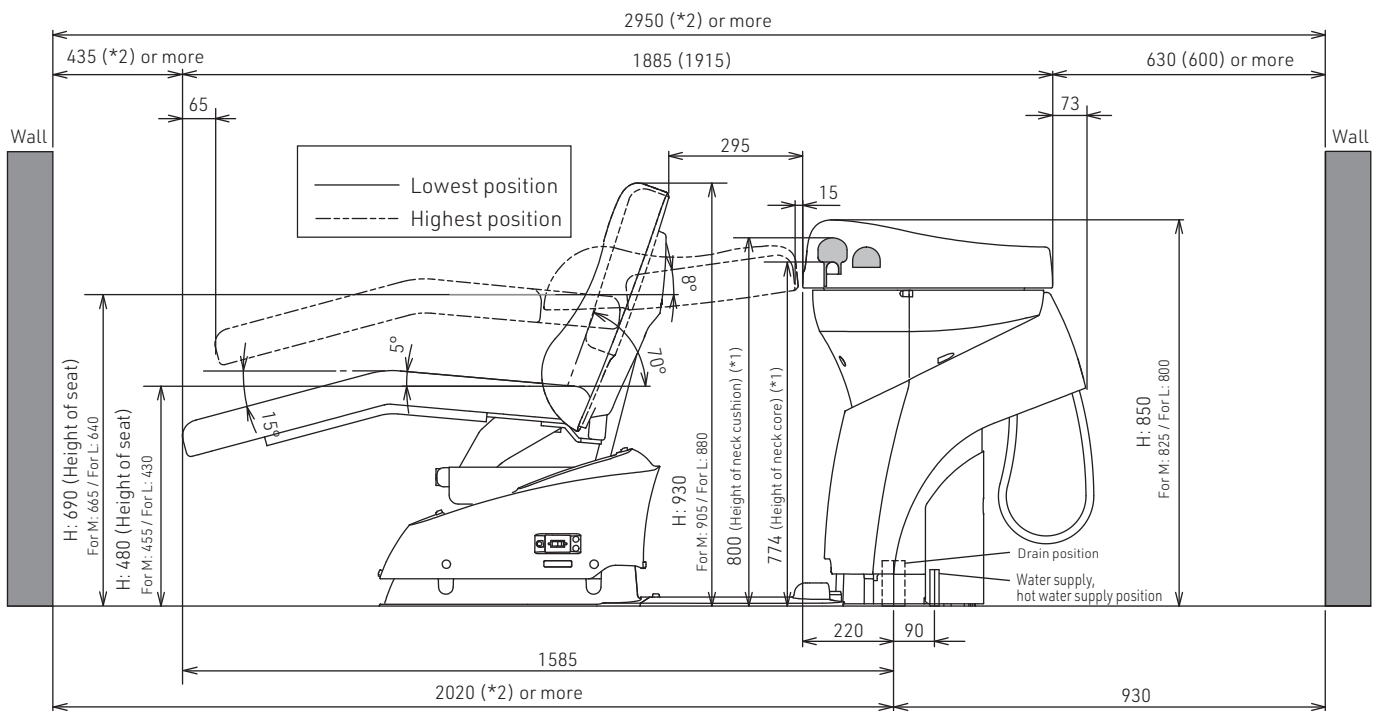
Seat body: SC-ESBF [ESPOIR fixed legrest]

Seat: SU-ESB[ESPOIR Basic]

■ **Top view** \* If the basin body is EX-ESSS\* [side basin], the dimensions are as shown in ( ).

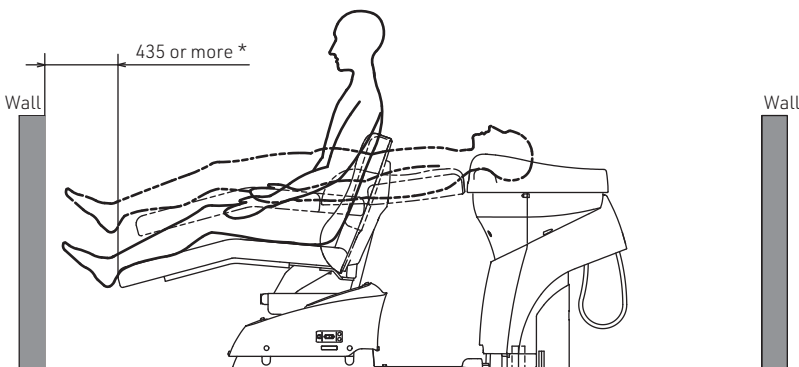


■ **Side view** \* External dimensions in the diagram below are for the H specification basin body and seat body.



\*1 The dimensions listed above may vary slightly from product to product.

\*2 Ensure that there is ample space surrounding the seat for extremely tall customers or if the surrounding area is used as a passageway.



	Height specifications	Height of neck cushion	Height of neck core
EX-ESSS*	L	750	721
	M	775	746
	H	800	771
EX-ESYM*	H only	800	774

\* The height of the neck cushion may vary slightly from product to product.

# Dimensions

[Unit : mm]

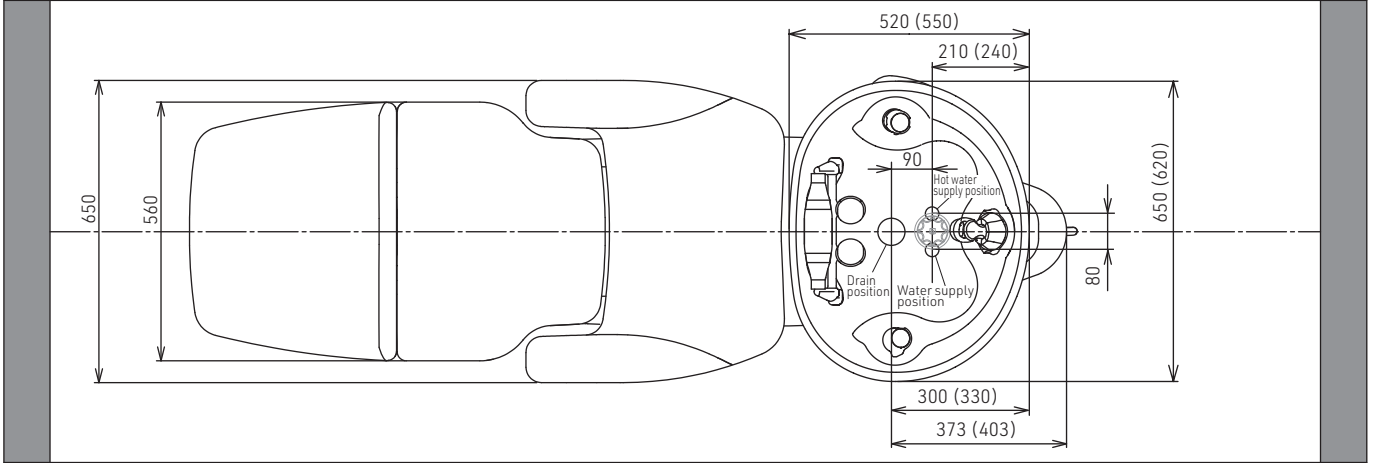
## Overall layout diagram : YUME ESPOIR

Basin body: EX-ESYM\* [For Back wash (same as YUME basin)]

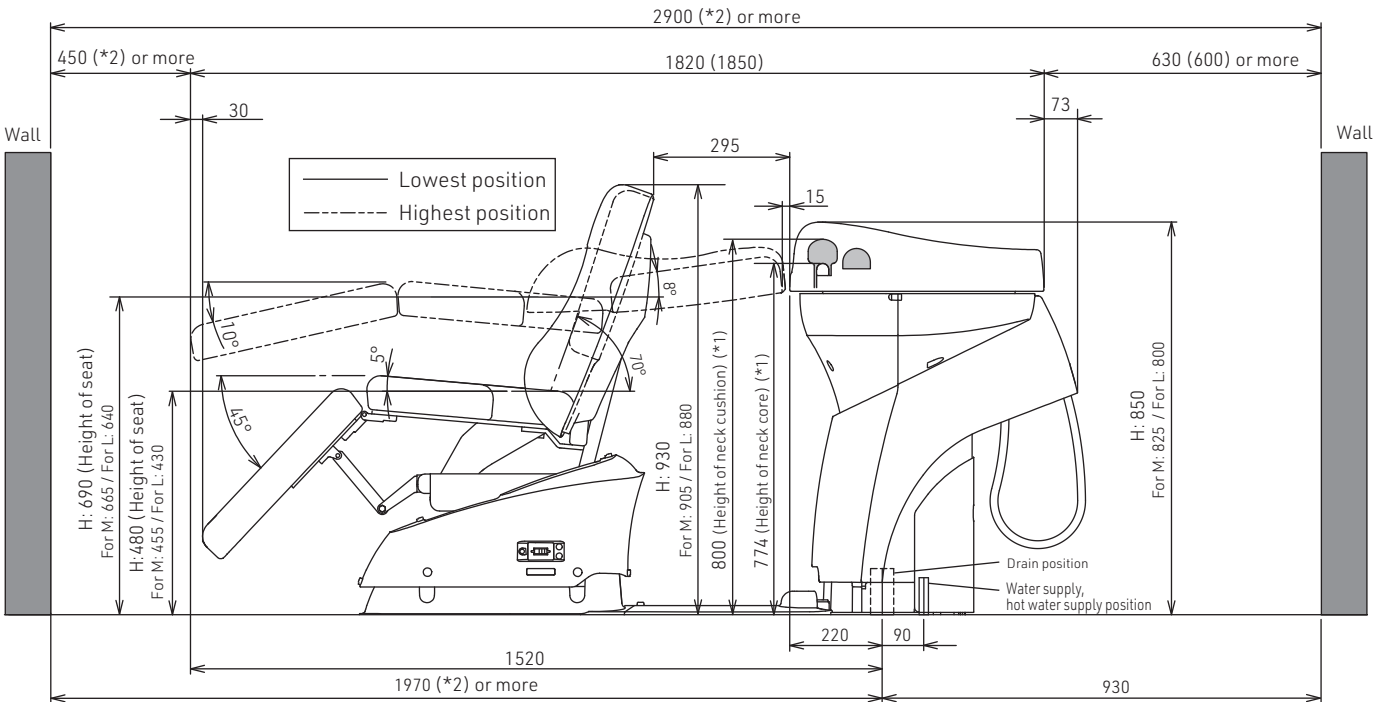
Seat body: SC-ESBL [ESPOIR Movable legrest]

Seat: SU-ESB [ESPOIR Basic]

■ **Top view** \* If the basin body is EX-ESSS\* [side basin], the dimensions are as shown in ( ).

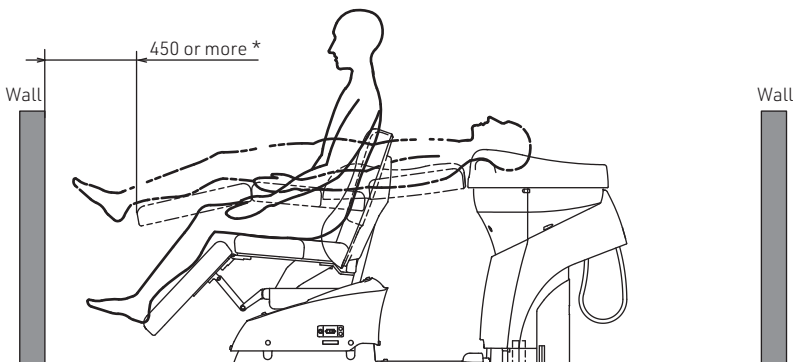


■ **Side view** \* External dimensions in the diagram below are for the H specification basin body and seat body.



\*1 The dimensions listed above may vary slightly from product to product.

\*2 Ensure that there is ample space surrounding the seat for extremely tall customers or if the surrounding area is used as a passageway.



	Height specifications	Height of neck cushion	Height of neck core
EX-ESSS*	L	750	721
	M	775	746
	H	800	771
EX-ESYM*	H only	800	774

\* The height of the neck cushion may vary slightly from product to product.



# Dimensions

[Unit : mm]

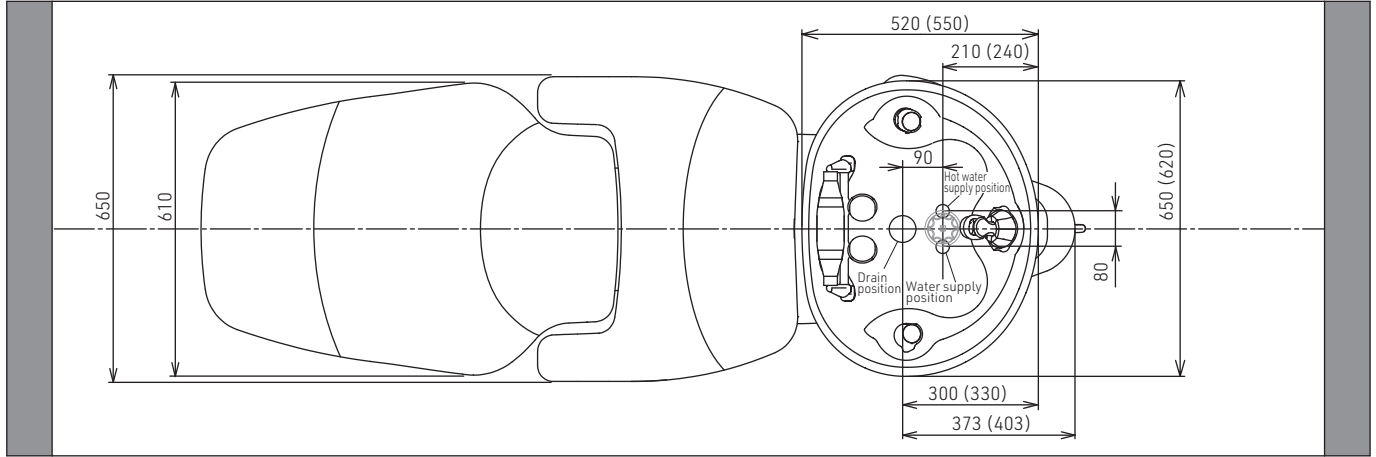
## Overall layout diagram : YUME ESPOIR

Basin body: EX-ESYM\* [For Back wash (same as YUME basin)]

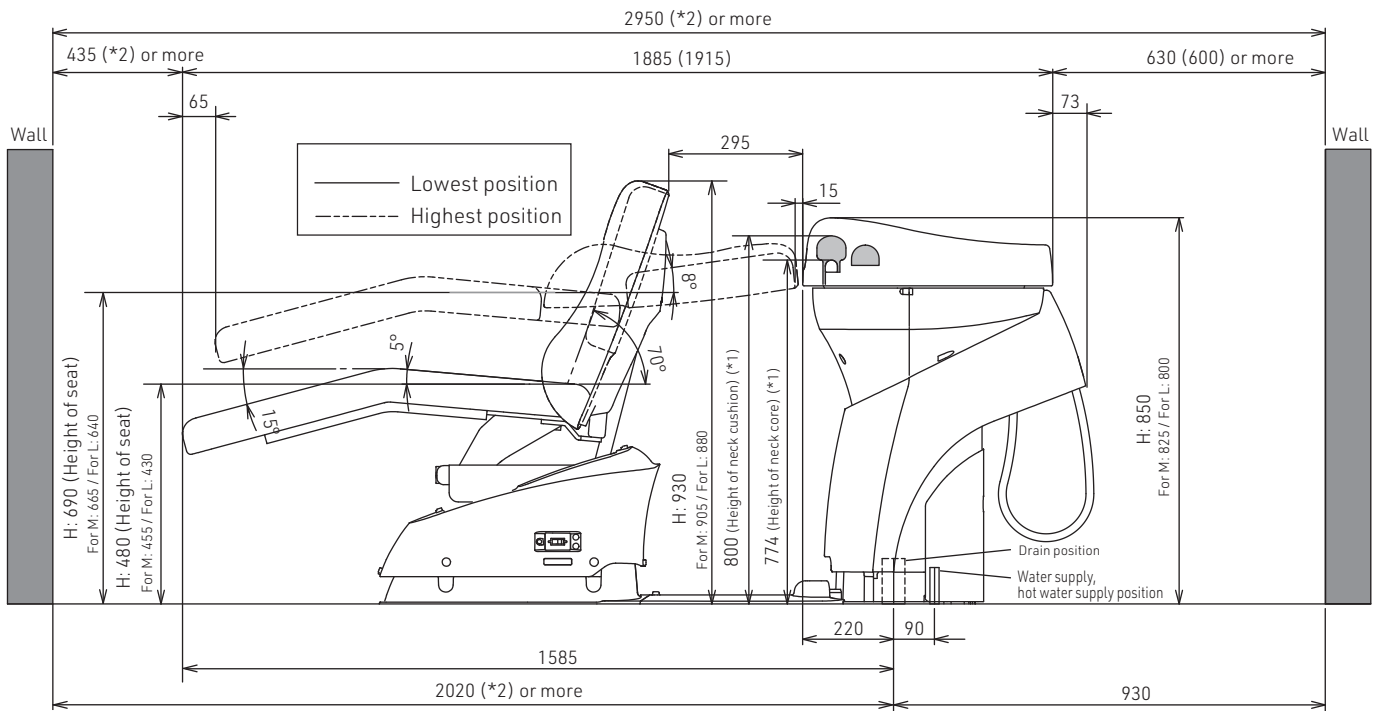
Seat body: EX-ESBF [ESPOIR fixed legrest]

Seat: SU-ESP [ESPOIR Premium]

### ■ Top view \* If the basin body is EX-ESSS\* [side basin], the dimensions are as shown in ( ).

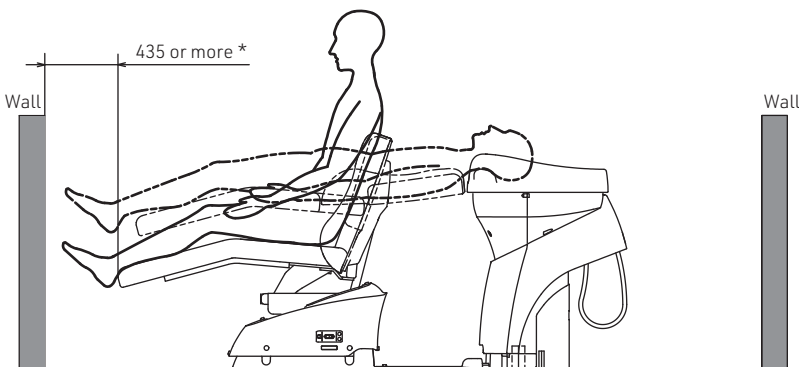


### ■ Side view \* External dimensions in the diagram below are for the H specification basin body and seat body.



\*1 The dimensions listed above may vary slightly from product to product.

\*2 Ensure that there is ample space surrounding the seat for extremely tall customers or if the surrounding area is used as a passageway.



	Height specifications	Height of neck cushion	Height of neck core
EX-ESSS*	L	750	721
	M	775	746
	H	800	771
EX-ESYM*	H only	800	774

\* The height of the neck cushion may vary slightly from product to product.

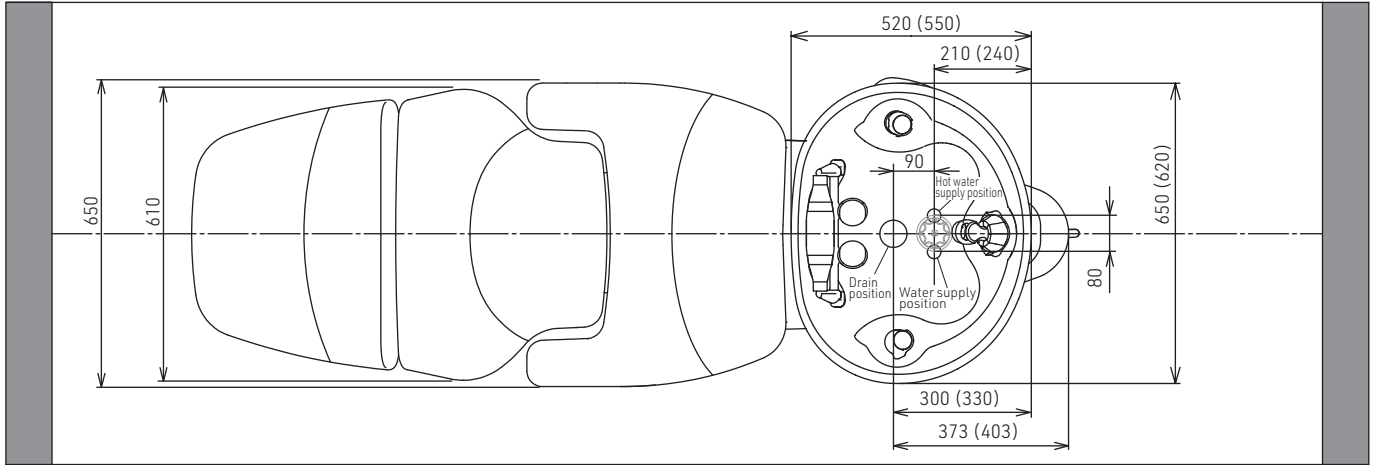
# Dimensions

[Unit : mm]

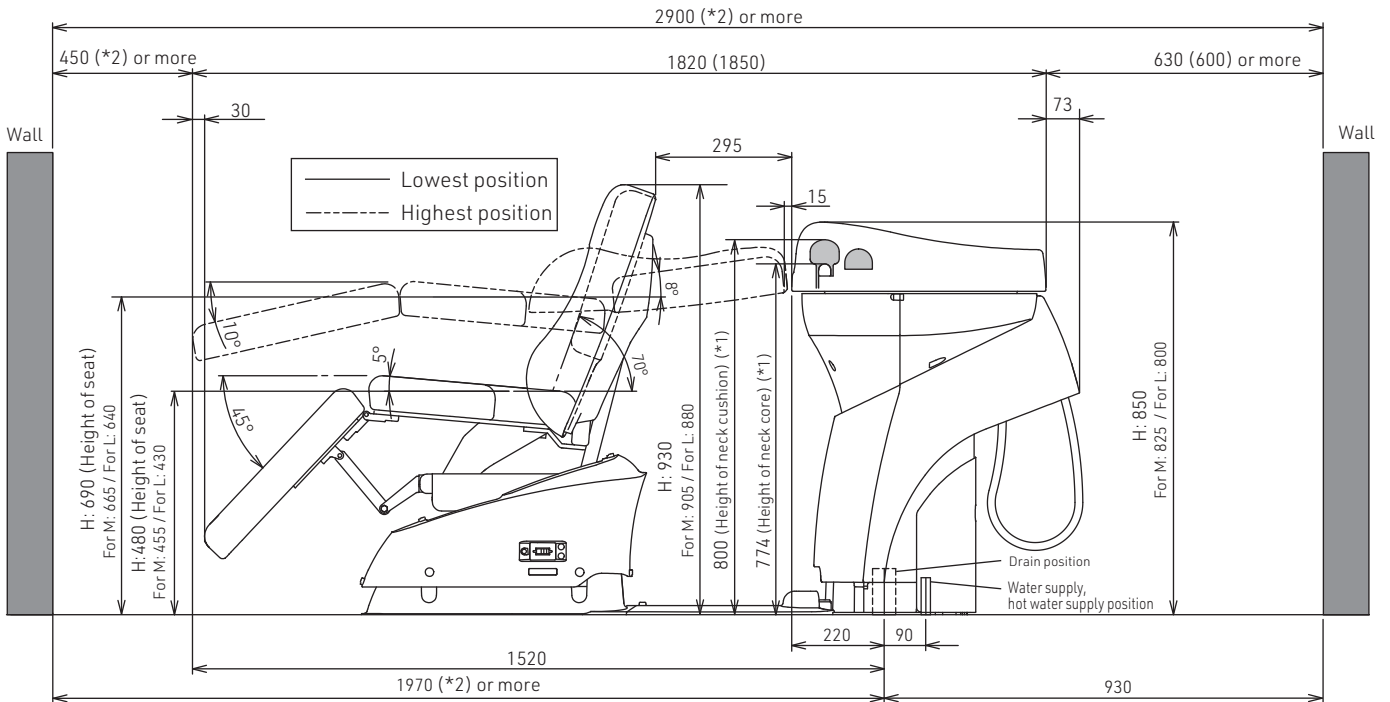
## Overall layout diagram : YUME ESPOIR

Basin body: EX-ESYM\* [For Back wash(same as YUME basin)]  
 Seat body: SC-ESBL [ESPOIR Movable legrest]  
 Seat: SU-ESP [ESPOIR Premium]

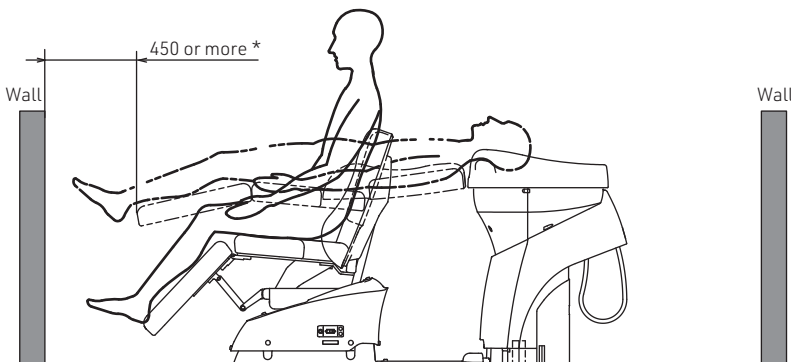
■ **Top view** \* If the basin body is EX-ESSS\* [side basin], the dimensions are as shown in ( ).



■ **Side view** \* External dimensions in the diagram below are for the H specification basin body and seat body.



\*1 The dimensions listed above may vary slightly from product to product.  
 \*2 Ensure that there is ample space surrounding the seat for extremely tall customers or if the surrounding area is used as a passageway.



	Height specifications	Height of neck cushion	Height of neck core
EX-ESSS*	L	750	721
	M	775	746
	H	800	771
EX-ESYM*	H only	800	774

\* The height of the neck cushion may vary slightly from product to product.

# Dimensions

[Unit : mm]

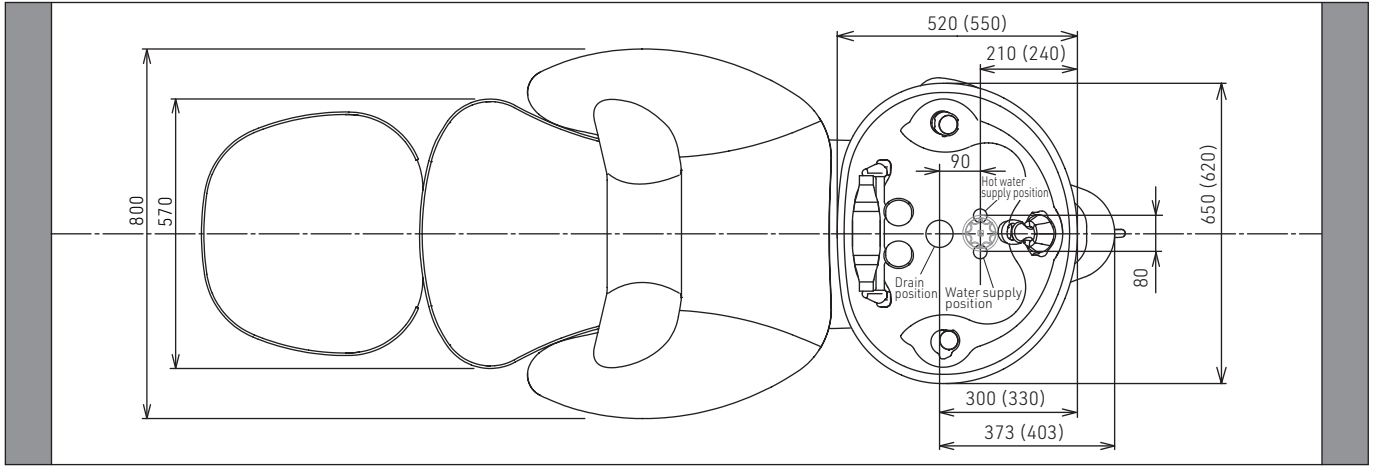
## Overall layout diagram : YUME SUITE

Basin body: EX-ESYM\* [For Back wash (same as YUME basin)]

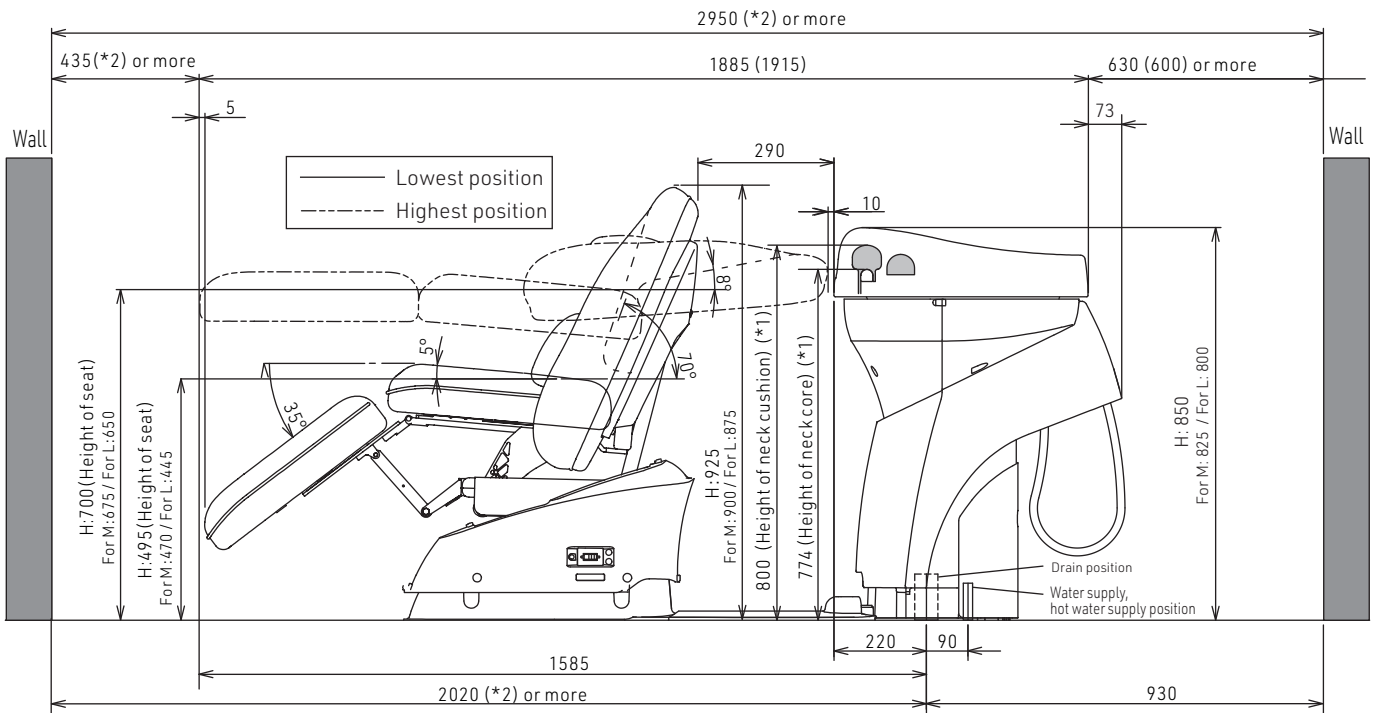
Seat body: SC-YMSI [SUITE]

Seat: SU-YMSI [SUITE]

■ **Top view** \* If the basin body is EX-ESSS\* [side basin], the dimensions are as shown in ( ).

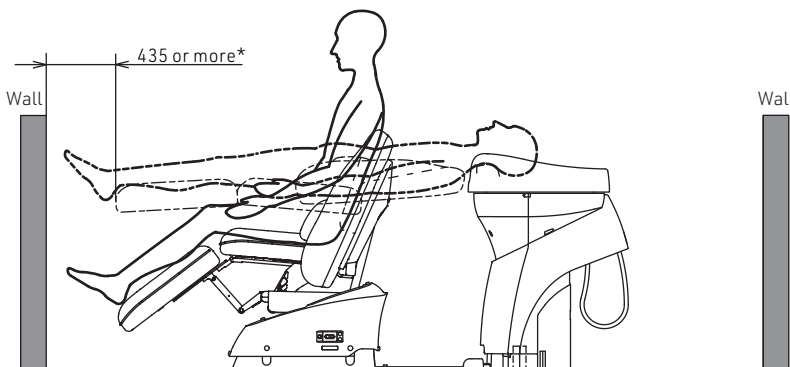


■ **Side view** \* External dimensions in the diagram below are for the H specification basin body and seat body.



\*1 The dimensions listed above may vary slightly from product to product.

\*2 Ensure that there is ample space surrounding the seat for extremely tall customers or if the surrounding area is used as a passageway.



	Height specifications	Height of neck cushion	Height of neck core
EX-ESSS*	L	750	721
	M	775	746
	H	800	771
EX-ESYM*	H only	800	774

\* The height of the neck cushion may vary slightly from product to product.

# Dimensions

[Unit : mm]

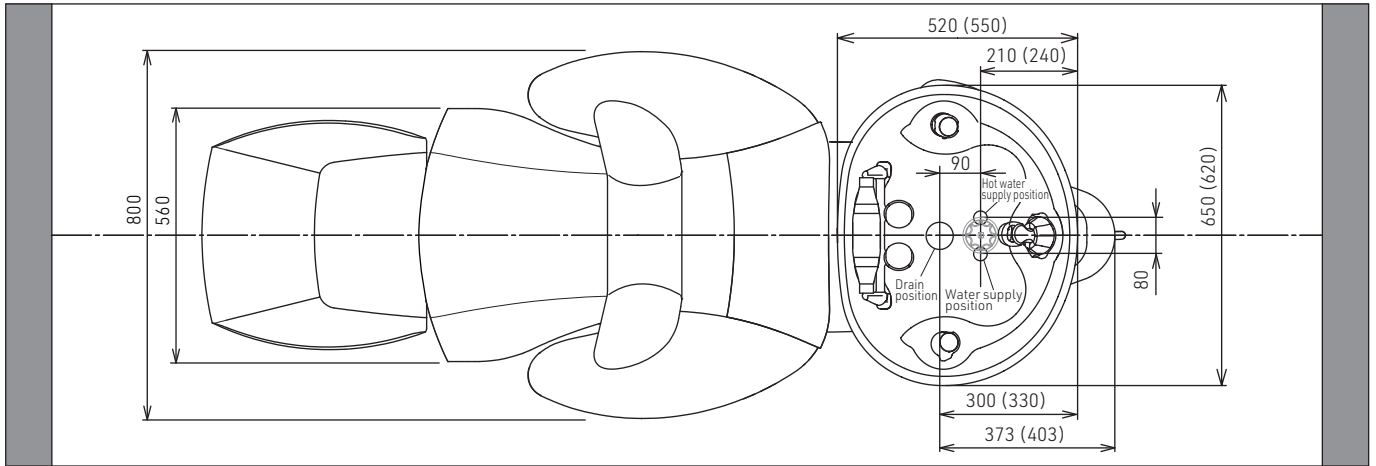
## Overall layout diagram : YUME NOBLE

Basin body: EX-ESYM\* [For Back wash (same as YUME basin)]

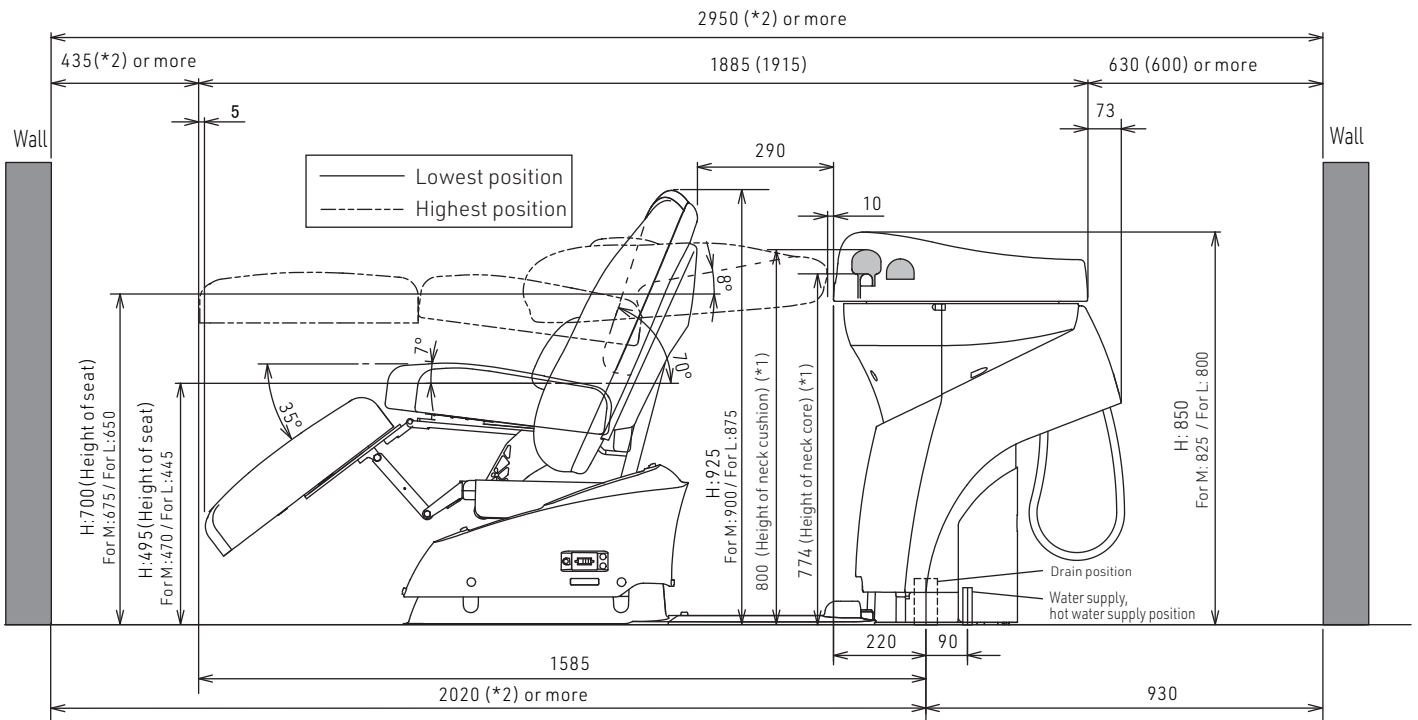
Seat body: SC-YMSI [SUITE]

Seat: SU-YMNB [NOBLE]

■ **Top view** \* If the basin body is EX-ESSS\* [side basin], the dimensions are as shown in ( ).

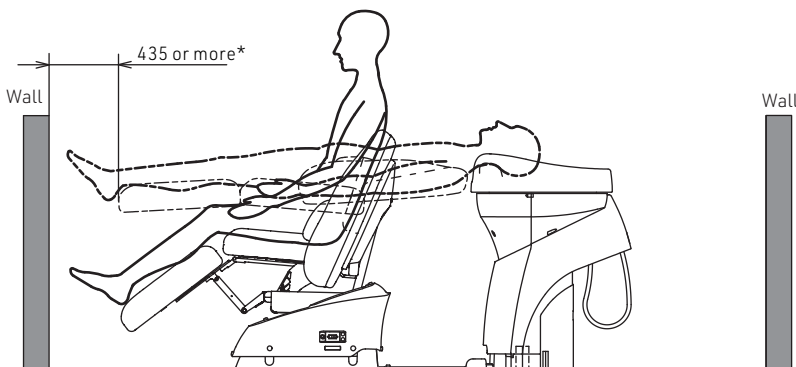


■ **Side view** \* External dimensions in the diagram below are for the H specification basin body and seat body.



\*1 The dimensions listed above may vary slightly from product to product.

\*2 Ensure that there is ample space surrounding the seat for extremely tall customers or if the surrounding area is used as a passageway.



	Height specifications	Height of neck cushion	Height of neck core
EX-ESSS*	L	750	721
	M	775	746
	H	800	771
EX-ESYM*	H only	800	774

\* The height of the neck cushion may vary slightly from product to product.

# MEMO

# MEMO

# MEMO



**TAKARA BELMONT CORPORATION**  
1-1, 2-Chome, Higashi-shinsaibashi, Chuo-ku, Osaka, Japan  
TEL : +81-6-6213-5945      FAX : +81-6-6212-3680

Printed in Japan