

YUME SWING Installation Manual

■ Yume Swing

○ Basin Unit

- EX-YMSBXYM (Yume Basin: for back wash)
- EX-YMSBXSS* (Side Basin: for side wash)

○ SWING Arm

- EX-YMSAF (Front Layout)
- EX-YMSAR (Rear Layout)

○ Plumbing Cover

- EA-YMSPK (Wall mounted plumbing)
- EA-YMSPY (Under the floor plumbing)
- EA-YMSPU (Above the floor plumbing)

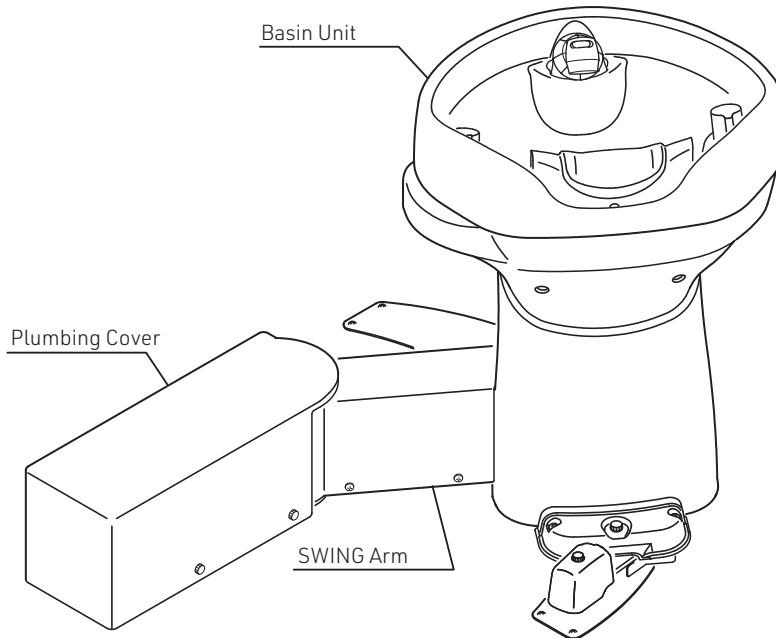
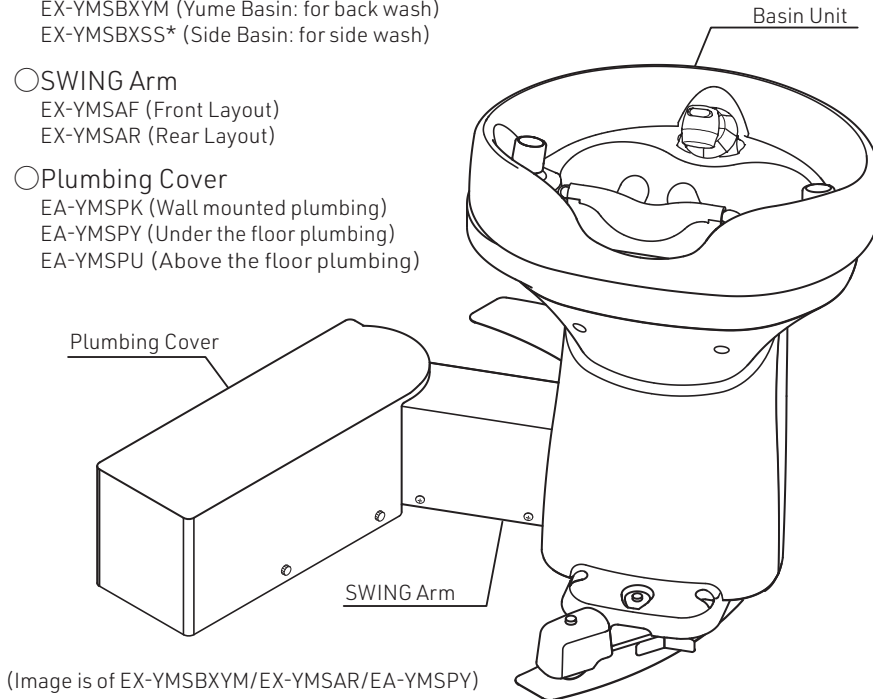


Table of Contents

Before Installation	2
1 Overall Layout Diagram	2
2 Product Fixing Position	5
3 Installation Conditions	8
Usage Conditions	9
Name of Parts	10
Contents of Packaging	11
Carrying the Product	15
Installation of the Product	16
1 Check the Position of Mirror and Cabinet	17
2 Installation of SWING Arm	17
3 Installation of Caster Rail	19
4 Installation of Basin Unit	23
5 Plumbing	25
6 Installation of Chair	27
7 Adjustment of Center of Basin Unit and Chair	29
8 Checking after Plumbing	31
9 Installation of Base Front Cover	32
10 Installation of Rotation Arm Cover	32
11 Installation of Maintenance Cover	33
12 Installation of Caster Cover	33
13 Installation of Plumbing Cover	34
After Installation	35
Installation of Neck Cushion	35

To the installer

- The manuals should be thoroughly read and understood before installation to ensure that YUME SWING is installed correctly.
- After installation, give these instructions to the client.

To the clients

- Clients must ask professional to install YUME SWING.
- Clients must not install YUME SWING by themselves.
- Clients must store these manuals in a safe place so as not to lose them.

*The actual shape of YUME SWING, the images and dimensions listed in these manuals may be modified and are subject to change without notice.

● The precautions listed here are to ensure that YUME SWING can be installed safely, and to prevent any danger or risk to the person installing YUME SWING or those around them. All of these precautions are important for safety. Takara Belmont is not responsible for any damage or risk to the person installing YUME SWING or those around them due to accidents if YUME SWING is installed without adhering to the precautions.

⚠ Caution

If YUME SWING is installed after ignoring this symbol, "there is the risk of light or moderate injury or physical damage".

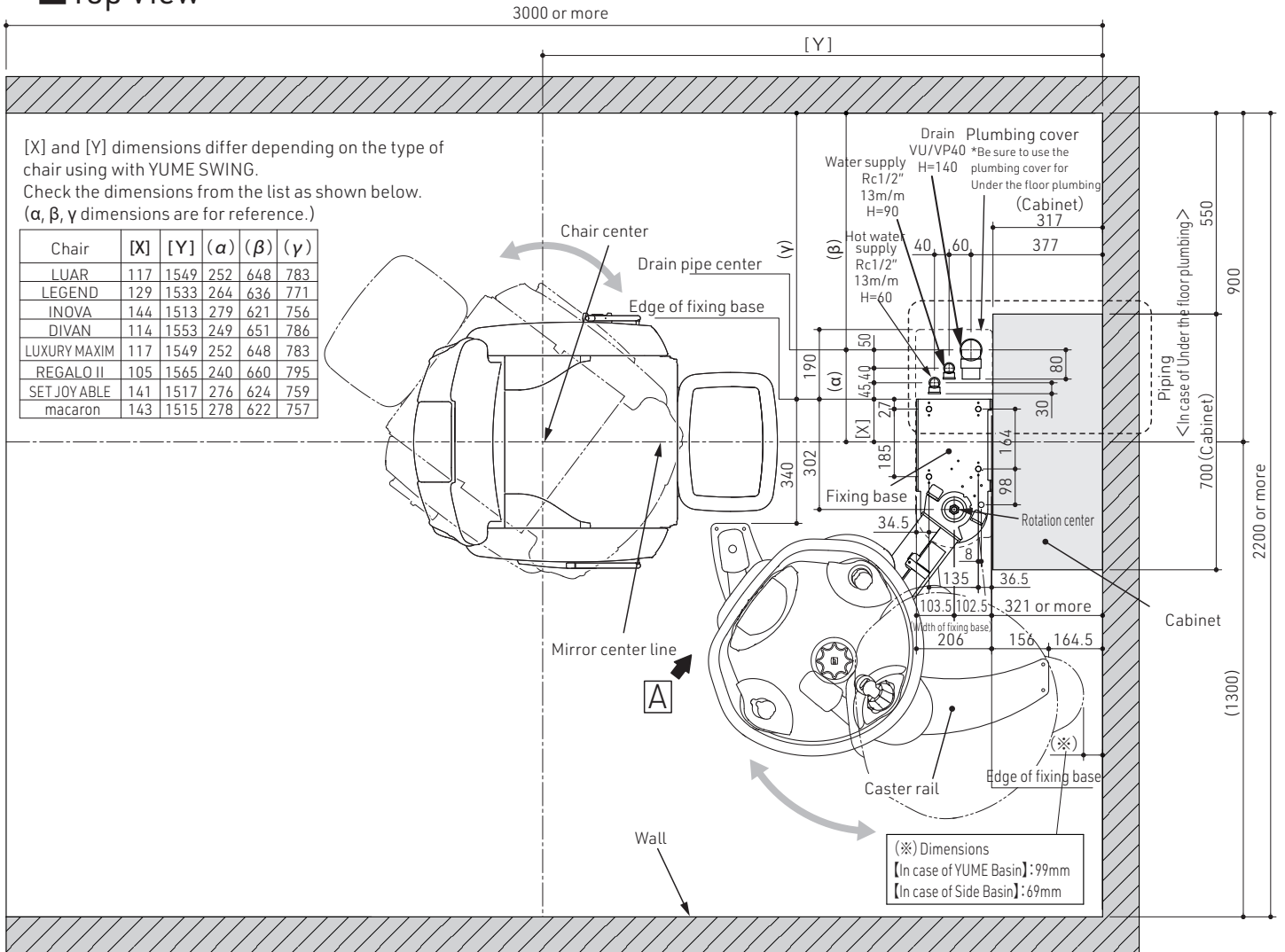
Before Installation

1 Overall Layout Diagram

<Front Layout>

[Unit: mm]

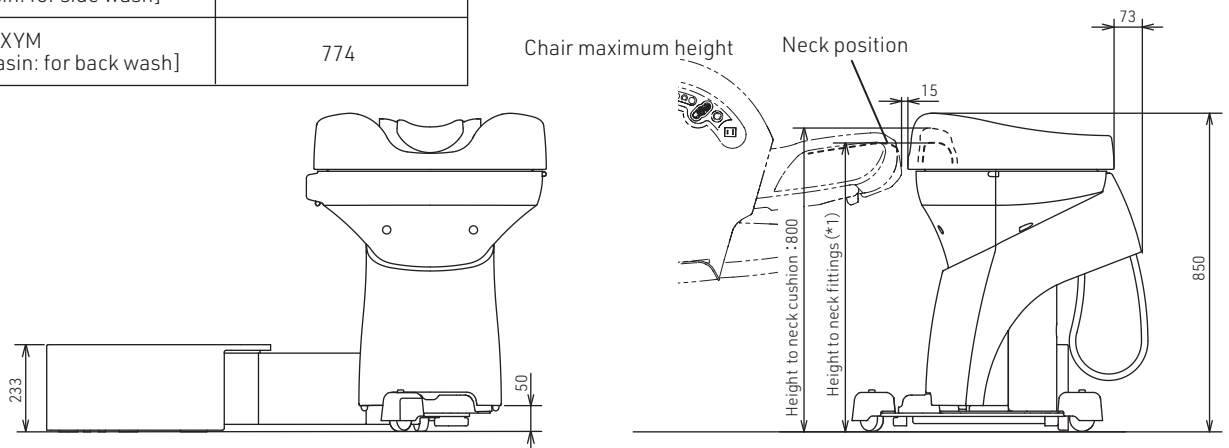
■ Top View



*When installing more than 1 unit, space between unit to unit to be 2200 mm or more.

■ Side View (Seeing from A)

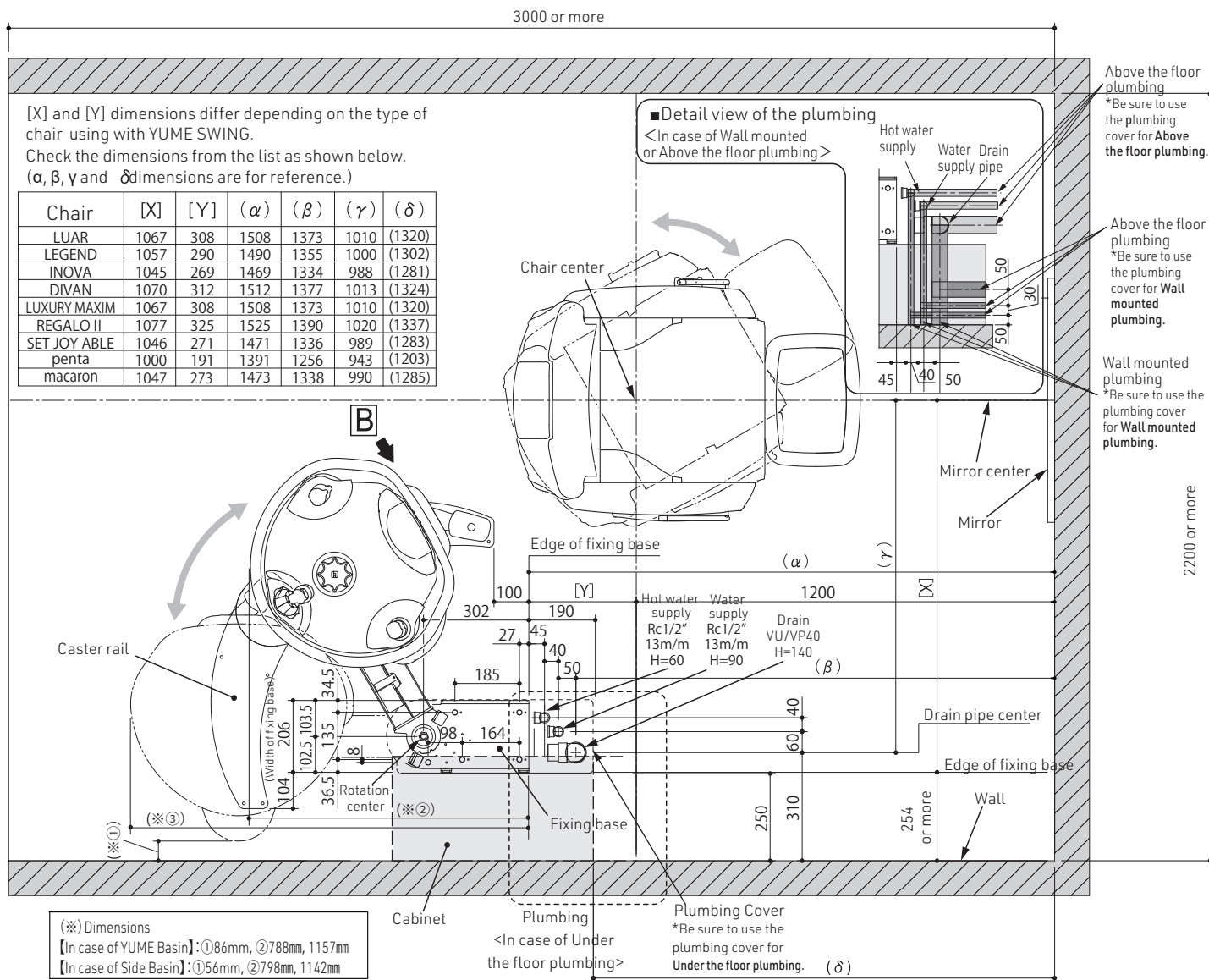
Basin Unit	Height of neck fittings (*1)
EX-YMSBXSS [Side Basin: for side wash]	771
EX-YMSBXYM [YUME Basin: for back wash]	774



<Rear Layout>

[Unit: mm]

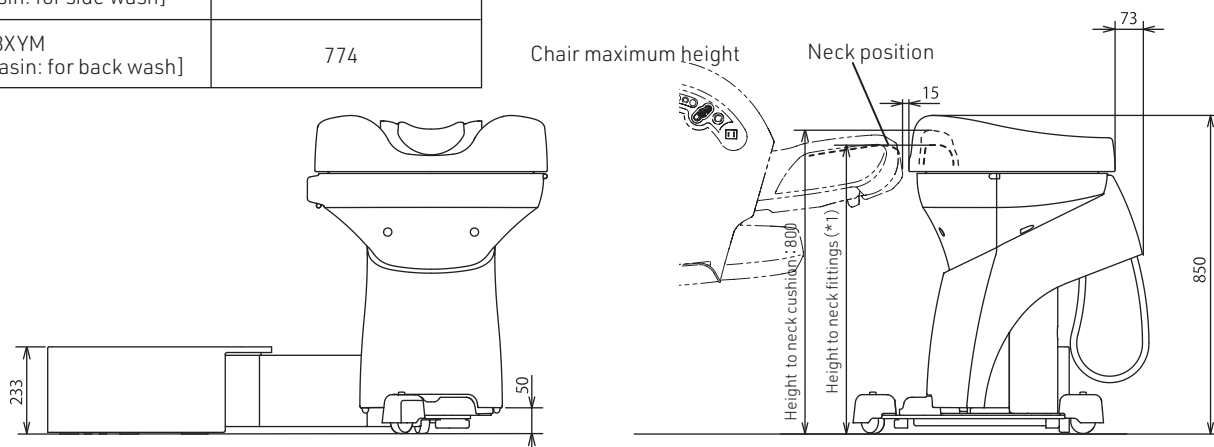
■ Top View



*When installing more than 1 unit, space between unit to unit to be 2200 mm or more.

■ Side View (Seeing from B)

Basin Unit	Height of neck fittings (*1)
EX-YMSBXSS [Side Basin: for side wash]	771
EX-YMSBXYM [YUME Basin: for back wash]	774



<Front Layout—Piping construction diagram>

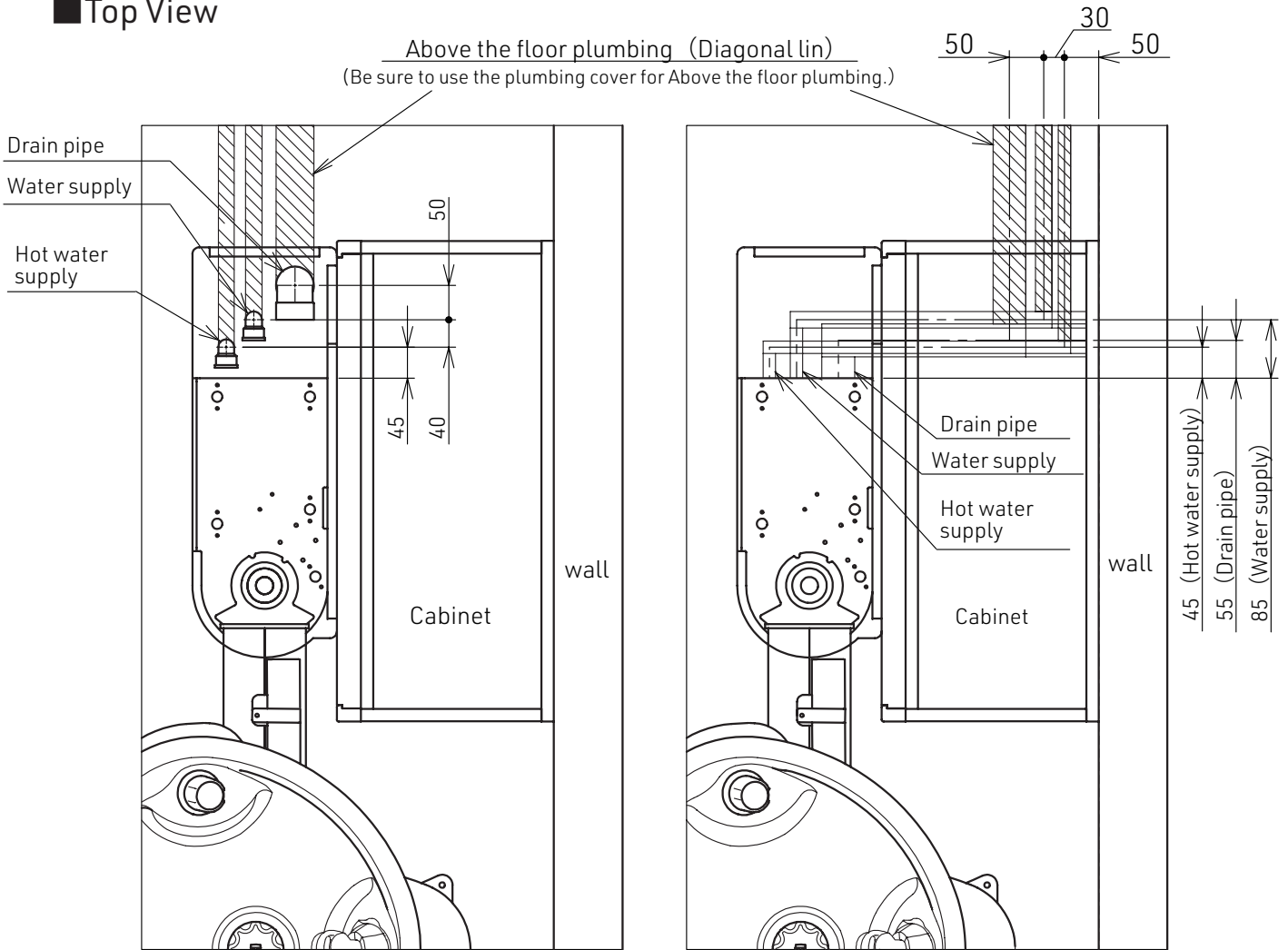
<In case of Under the floor plumbing/
Above the floor plumbing>

- Be sure to use the plumbing cover for Above the floor plumbing.

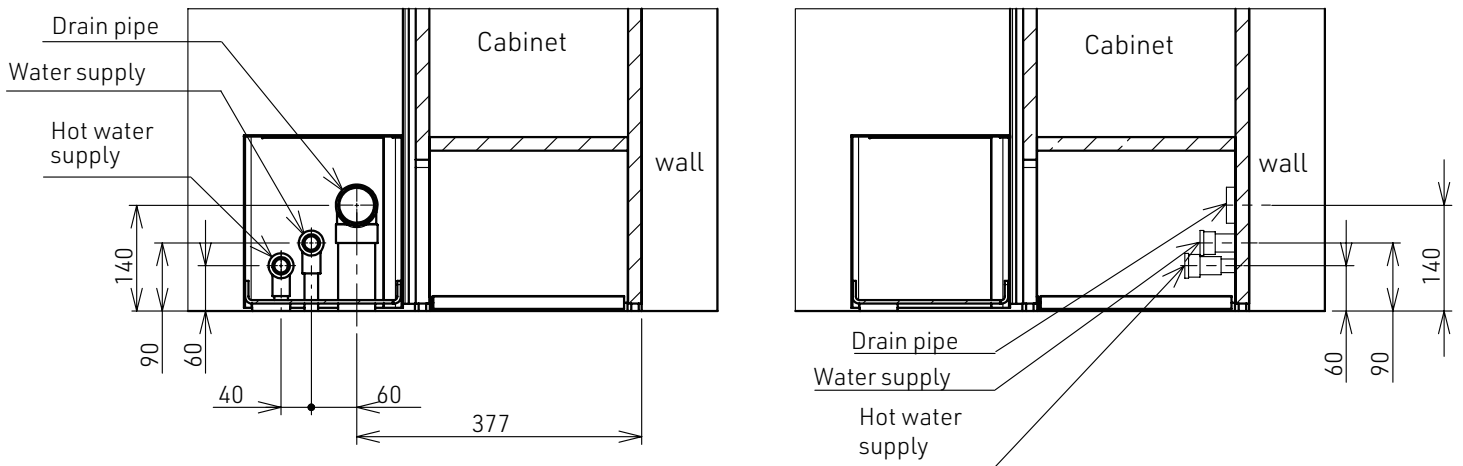
<In case of Wall mounted plumbing/
Above the floor plumbing>

- Be sure to use the plumbing cover for Wall mounted plumbing.

■ Top View

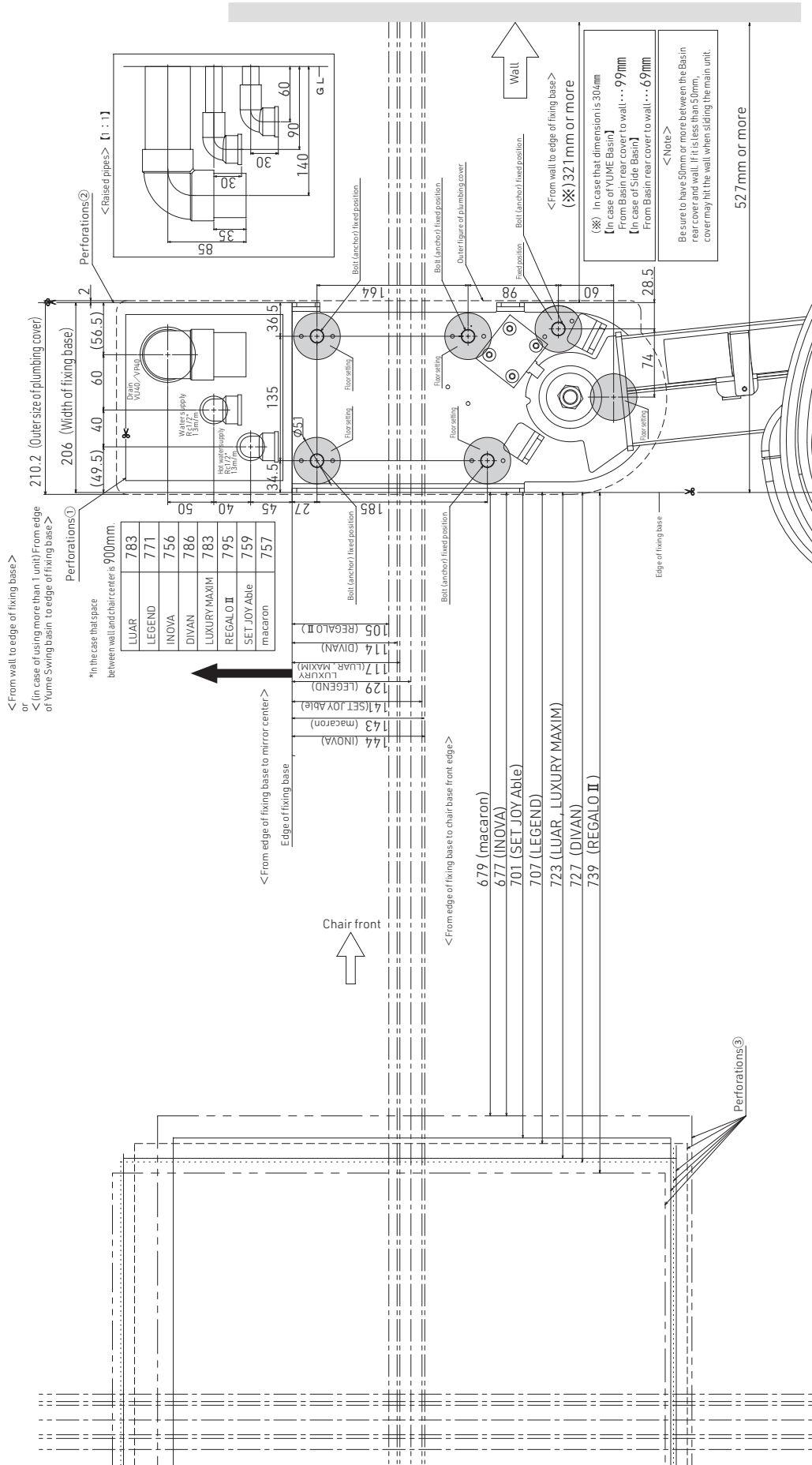


■ Side View



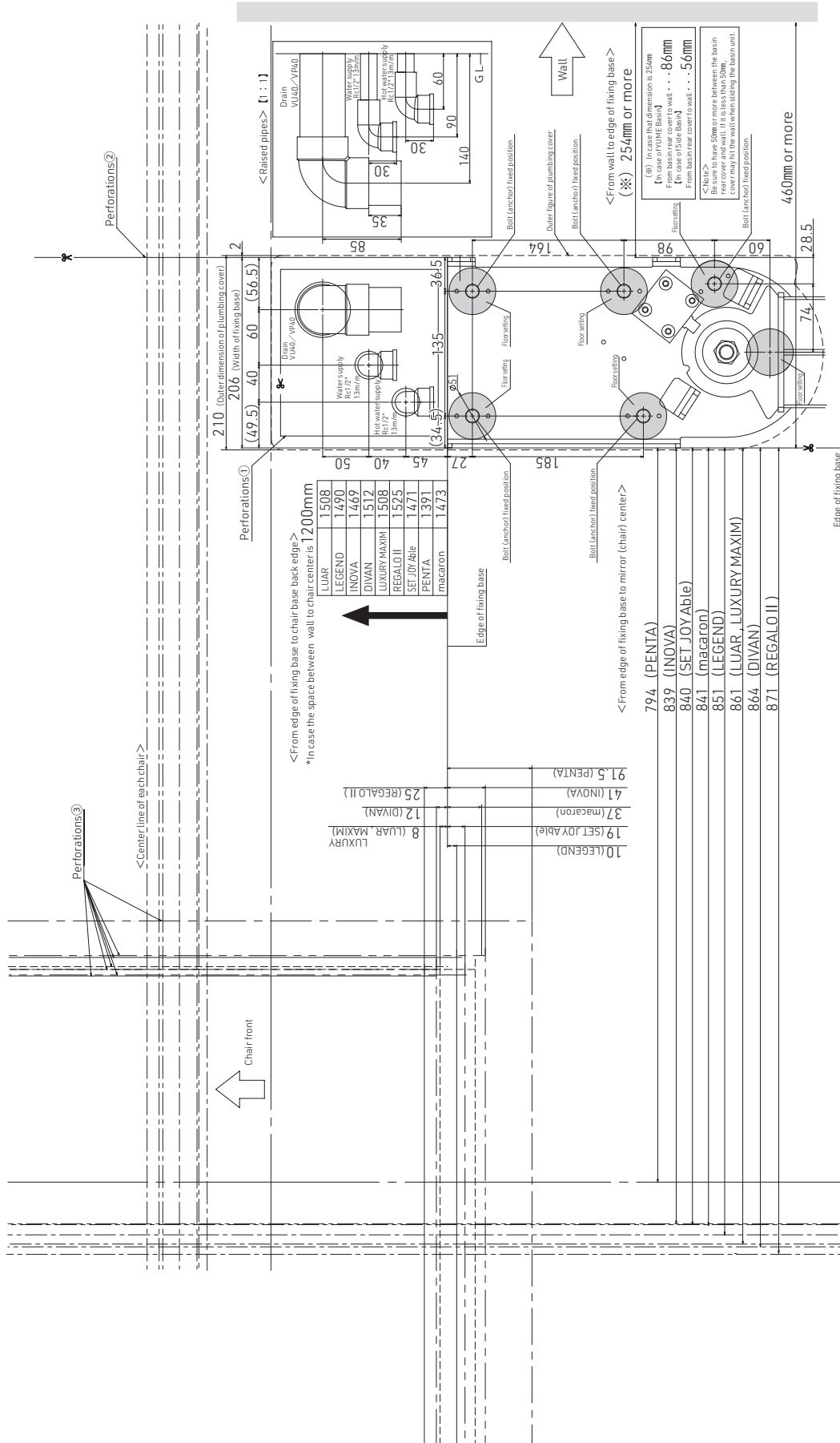
<Floor template / Front Layout>

[Unit: mm]



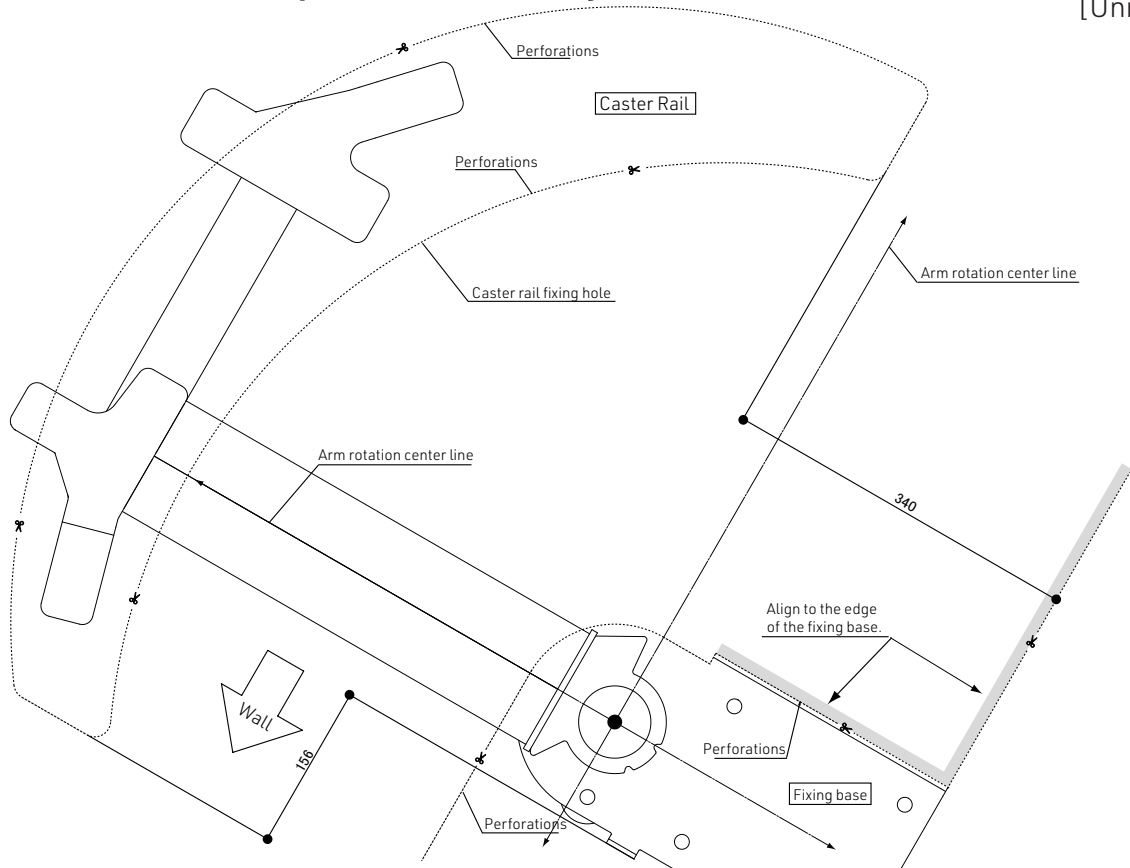
<Floor template / Rear Layout>

[Unit: mm]

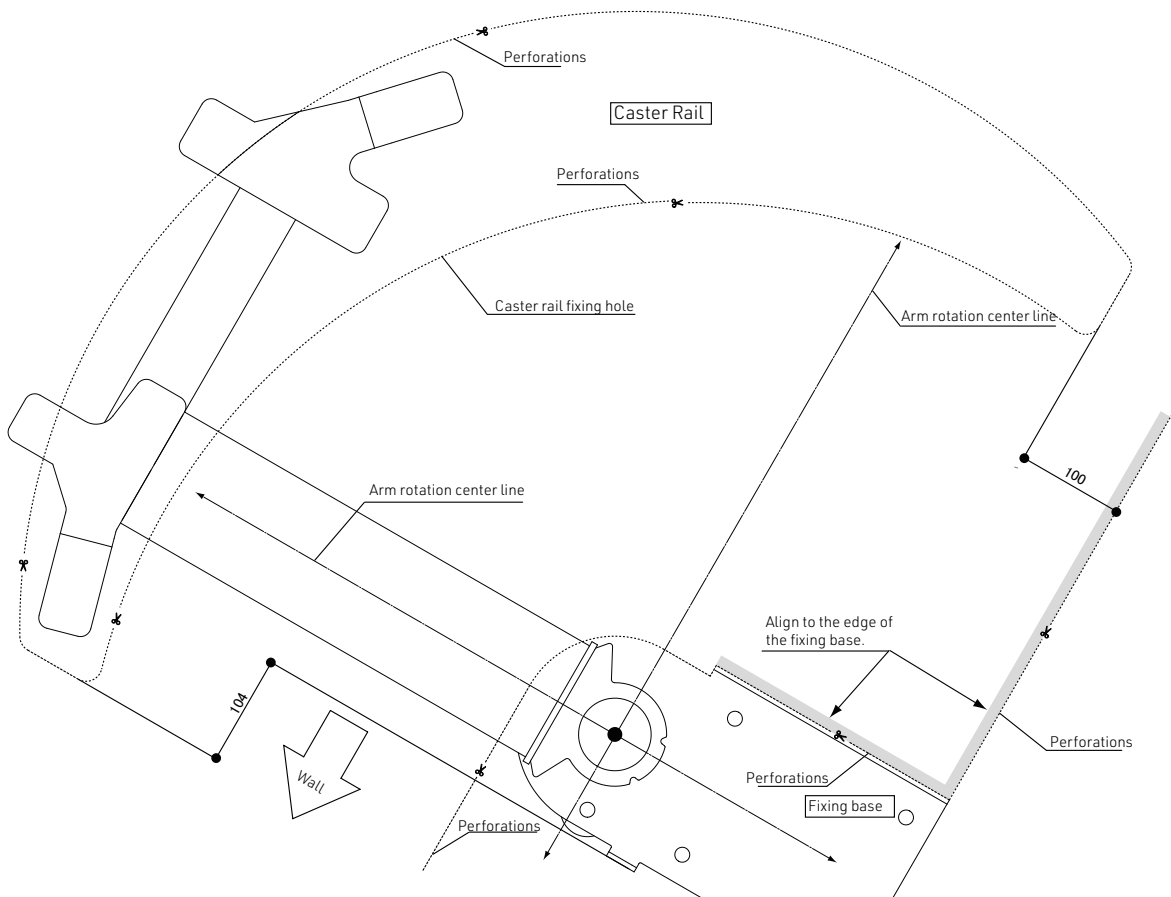


<Caster Rail Floor Template / Front Layout>

[Unit: mm]



<Caster Rail Floor Template / Rear Layout>



3 Installation Conditions

■ Floor surface

- Ensure that the material or finishing of the floor surface is waterproof or has a waterproof coating applied.
- Always ensure that the floor surface is horizontally level so that the product slides smoothly.
- Ensure that the floor surface is smooth and free from bumps around the attachment areas.
- Raised pipes

【Plumbing specifications】

Hot water / water supply	Rc 1/2"
Drain	VU40/VP40

【Raised pipe dimension】

Plumbing Spec.	Raise dimensions		
	Hot water supply	Water supply	Drain
Under the floor plumbing	60mm	90mm	140mm
Wall mounted plumbing	60mm	90mm	140mm
Above the floor plumbing	60mm	90mm	140mm

- If the floor surface is tiled, cracks and so on may occur when fastening the bolts during installation of the fixing base. If this looks likely to happen, use the floor template as a reference, and change the material of the installation area to another material such as plywood or mortar, etc.
- Do not use the tile or glass and so on for the floor surface where caster rail is attached.
- The following levels of strength are required for the floor surface.

Wooden floor	Plywood thickness of 30 mm or more (two 15 mm sheets joined together)
Mortar floor	Mortar thickness of 50 mm or more
Special floor (stone finish, etc.)	A foundation with levels of strength listed above around the installation areas is required.

■ Request measures to prevent water leakage under the floor and downstairs

- Be sure to take the necessary precautions to prepare for and prevent possible water leakage.
- Use waterproof flooring materials.
- When installing the product on the 2nd floor or higher, be sure to observe waterproofing (waterproofing works, installing a pan made of stainless panel, etc. or installing water leakage sensor.).
- Be sure to cover an opening of raised plumbing and a connection of pipes by caulking material, etc.

■ Installation of pipes

The following are important points to adhere during the installation of pipes. Read through the details carefully and ensure that the pipes are installed correctly.

- When installing this product, ensure that installation of pipes adheres to the instructions outlined in "Precautions during installation of pipes". Installing pipes without observing the precautions will mean water may not mix properly, and a set temperature may not be achieved.
- This product is designed for indoor installation. Always install this product indoors.

■ "Precautions during installation of pipes"

- Do not use pipes made of materials that may introduce rust for the water supply pipe. In general, VP pipes or other materials specified by regulations in that particular region, are recommended for installation.
- In general, Type L deoxidized copper pipes are recommended for hot water pipes.
- In general, the same diameter and same pressure is recommended for hot water pipes and water supply pipes.
- Always use a reamer to deburr the ends of cut pipes.
- Avoid using inverted U-shaped pipes (siphon) as these can cause air to become trapped.

- Always connect hot water and water supply pipes after removing all contaminants such as dirt, sand and oil. Failure to follow this instruction may cause problem.
- Ensure that the drain pipe is installed at a gradient of 1/50 for a diameter of ϕ 75 or less, or 1/100 for a diameter of ϕ 75 or more.
- Do not connect the hot water and water supply pipes in reverse.
Connecting pipes in reverse will mean the temperature of water cannot be controlled properly by the water faucet, which can cause problems including burns.
- Ensure that the hot water pipe from boiler is only run over a short distance so as to minimize resistance.
Longer pipe can cause fluctuations in temperature and poor hot water delivery.
- Boiler pipes
 - In general, the same diameter and same pressure is recommended for main hot water pipe and main water supply pipe.
 - Ask professional to install boiler.
- Product comes with hair catchers installed. Handle it with care.
- Always wrap pipes with lagging material after installation is complete.
- After connecting the pipes and executing water flow test, clean the filters and shower head.

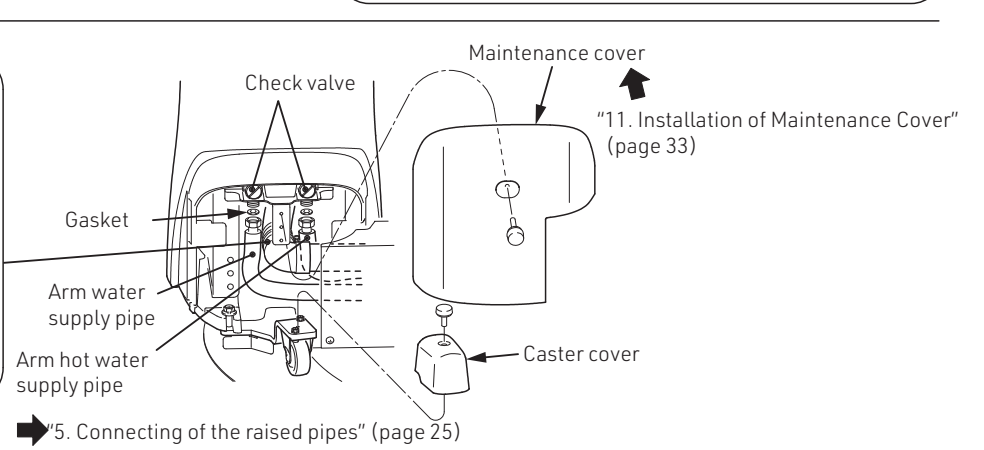
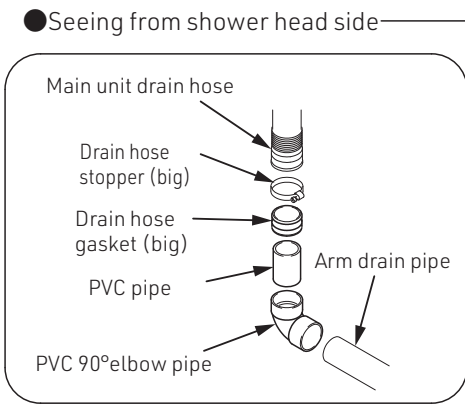
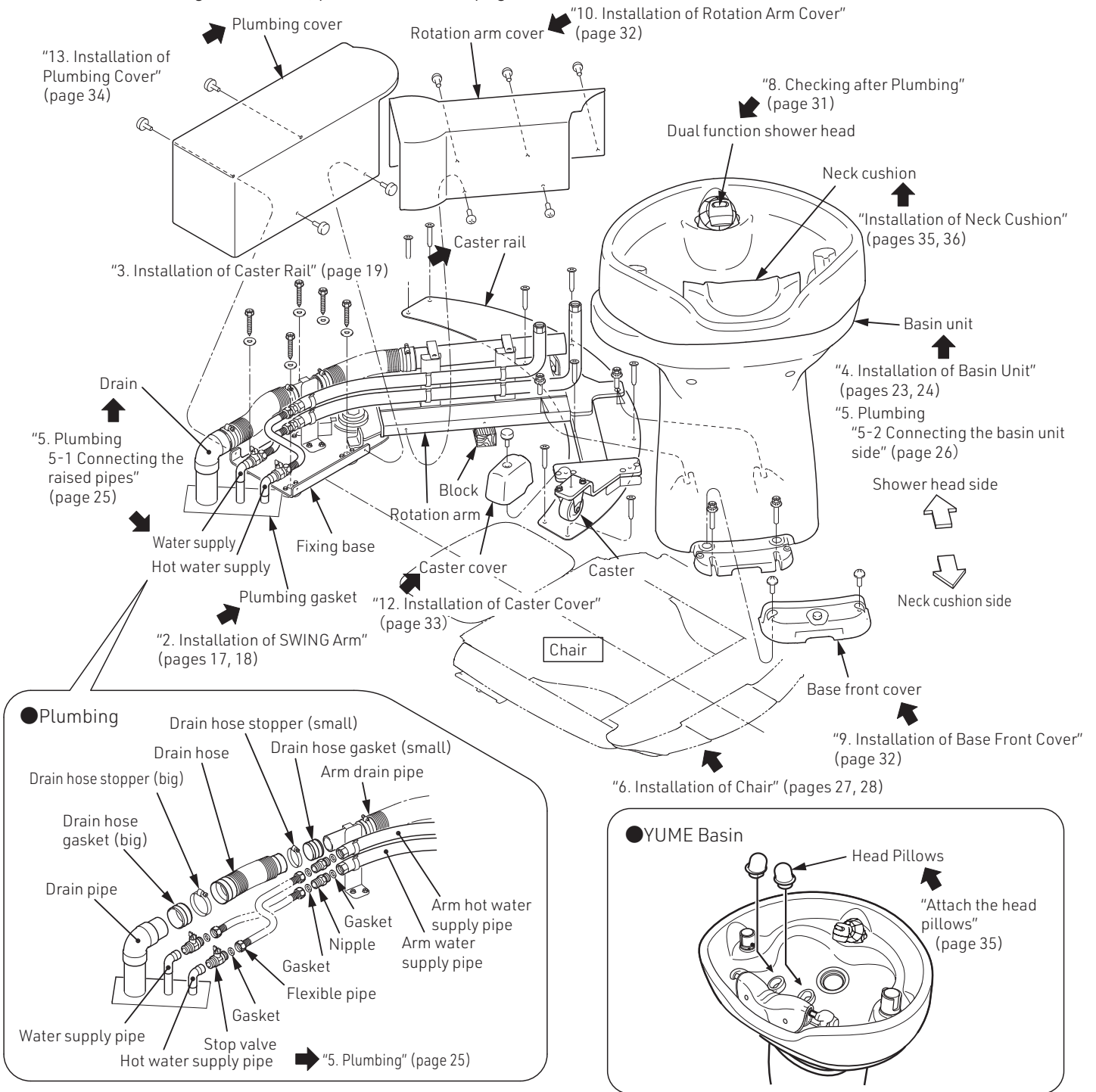
Usage Conditions

■ Hot water and water supply conditions

Water used	<ul style="list-style-type: none"> • Public water supply (do not use non-drinkable well water or water that contains rust or sand.) • If the water hardness is 80 ppm or higher, install a water softener to prevent the build up of lime scale within the basin unit. Aeration may be minimal when using shampoo even if drinkable well water is used, so a water softener should be installed.
Hot water, water supply pressure	<ul style="list-style-type: none"> • Use a pressure between 0.1 - 0.4 MPa (1 - 4 kgf/cm²). If multiple Yume Swing are used, ensure that the pressure does not drop below 0.1 MPa (1 kgf/cm²). • Set the water supply pressure \geq hot water supply pressure. • Set the difference between the hot water supply pressure and water supply pressure to within 0.2 MPa (2 kgf/cm²).
Hot water temperature into the product	<ul style="list-style-type: none"> • Set the hot water temperature to 80°C or less. • Set the temperature 10°C or higher than the shower temperature used.
Boiler	<ul style="list-style-type: none"> • Do not use steam with the hot water supply.

Name of Parts

○ This page shows the name of parts which is necessary for the installation, and instruction pages for each parts. Before executing installation, please check this page.

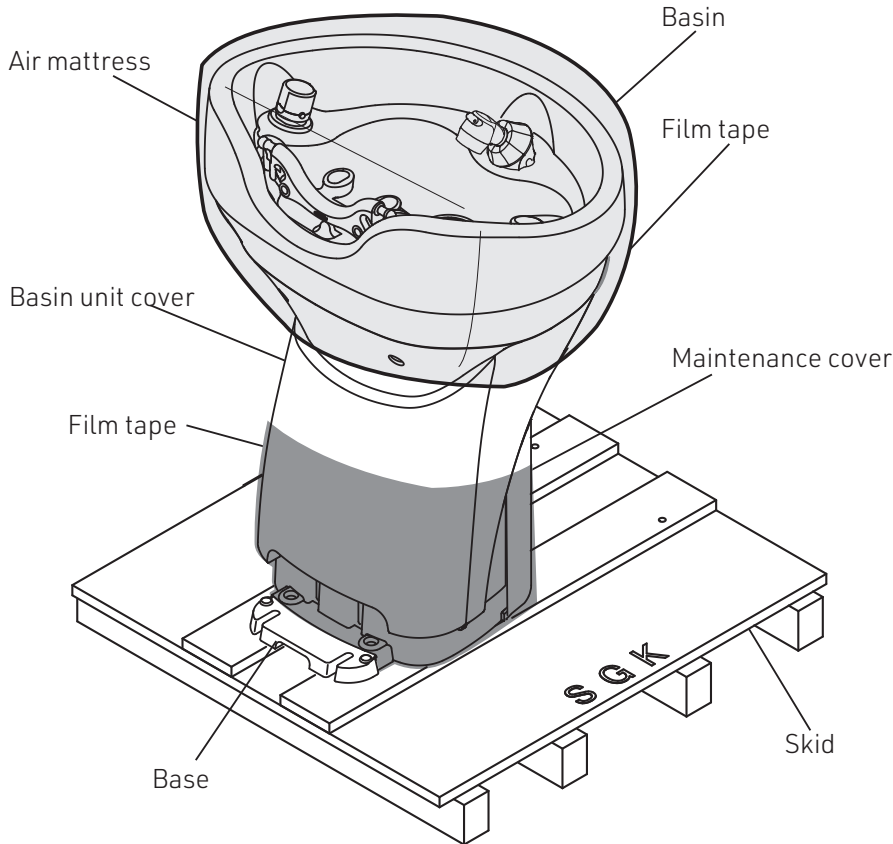


Contents of Packaging

○ Before installation, check if all of the below parts is coming with the product.

<Basin Unit>

■ Contents



* The Knurled thumb screws are held down the main body with the maintenance cover.
(Knurled thumb screw M5 × 15)

Caution

As air mattress protects the basin and film tape protects the basin unit, do not remove them until starting plumbing installation.

*Image is of YUME Basin [EX-YMSBXYM].

■ Accessories <Common parts of YUME Basin and Side Basin>

Drain cap (1)



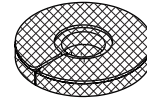
Hair catcher (1)



Spare mohair tape



Sponge (1)

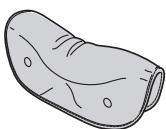


"Mohair tape" Manual

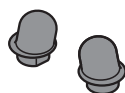
YUME SPA Technical Manual (except for China)

<Exclusive parts for YUME Basin >

Neck cushion (1)

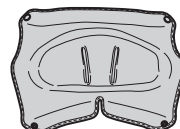


Head pillows (1 pair)



<Exclusive parts for Side Basin >

Neck cushion (1)



Neck fittings (1)

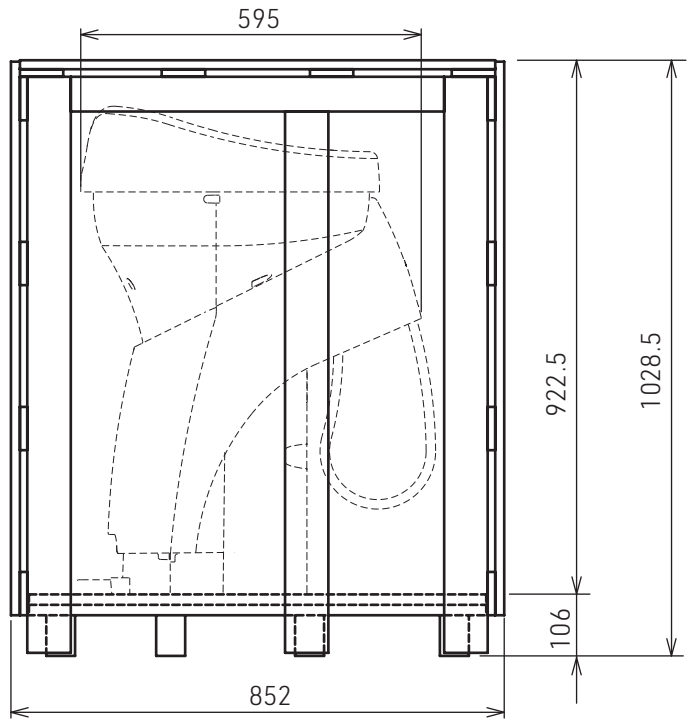
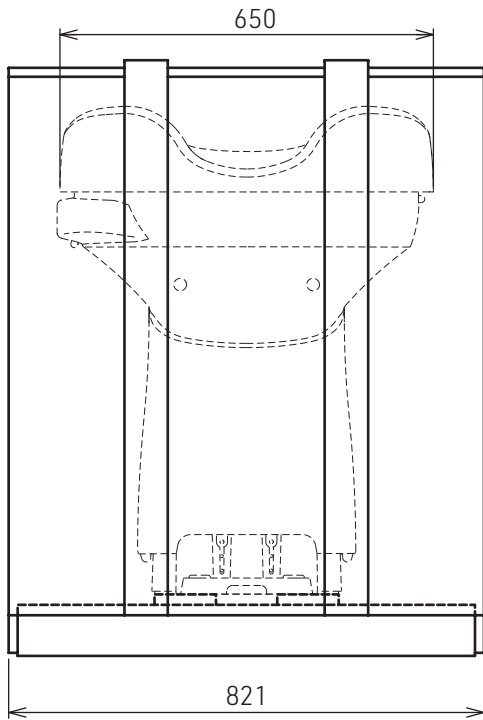


■ Packing size and weight

[Unit: mm]

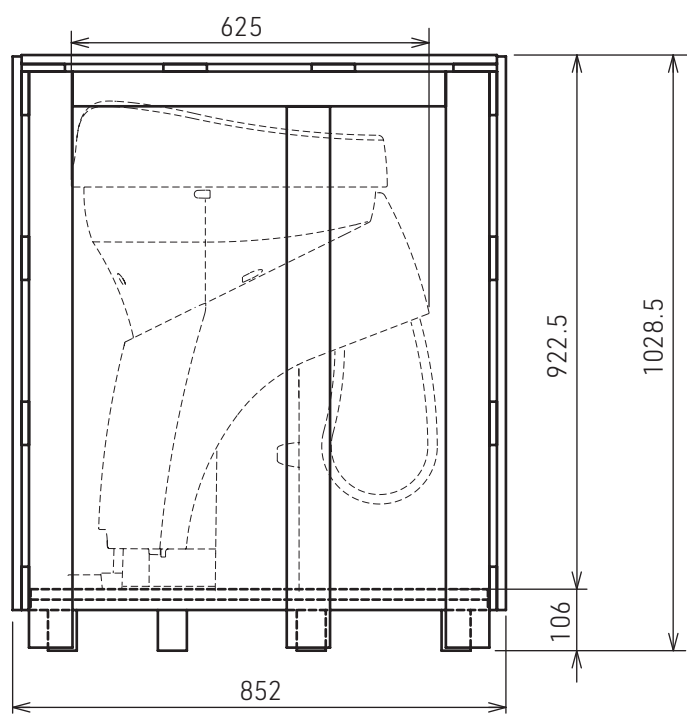
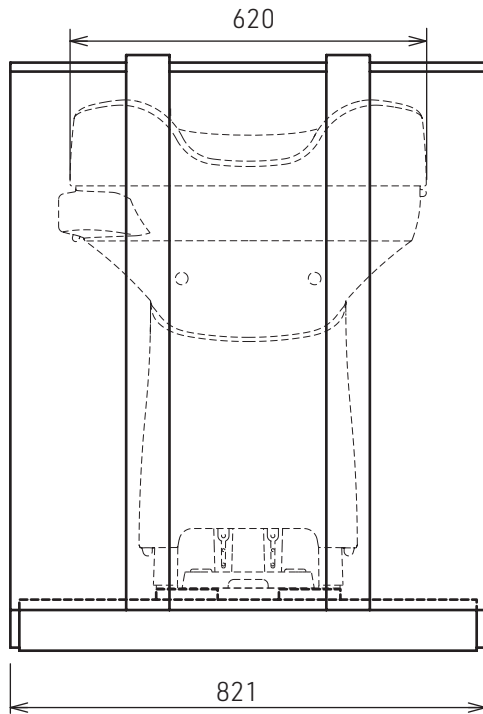
<Basin Unit: YUME Basin>

Basin unit 37kg, Wood frame 30kg



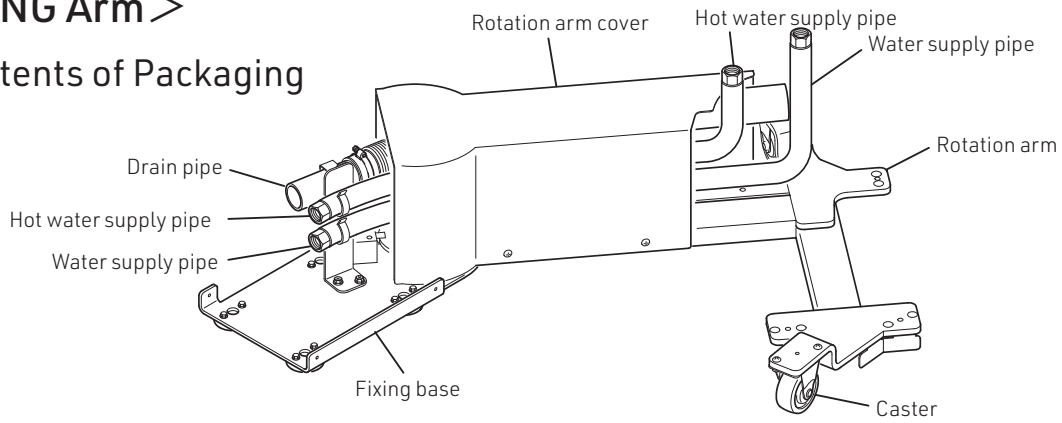
<Basin unit: Side Basin>

Basin unit 34kg, Wood frame 30kg



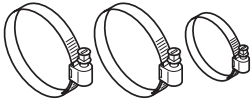
<SWING Arm>

■ Contents of Packaging



■ Accessories <Common parts for YUME Basin and Side Basin>

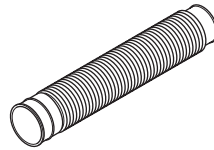
Drain hose stopper (big x 2, small x 1)



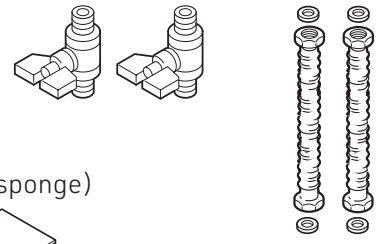
Drain hose gasket (big x 2, small x 1)



Drain hose (1)

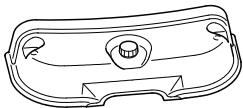


Stop valve (2) Flexible pipe (2)

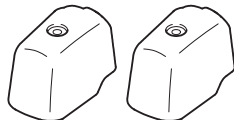


(L = 200mm)

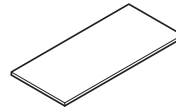
Base front cover (1)



Caster cover (2)



Drain gasket (sponge)



Seal (6 sheets)
* 4 sheets are spares.



Screw set



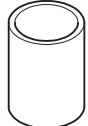
Operating manual

Installation manual (this manual)

PVC 90°elbow pipe (1)

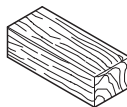


PVC pipe (1)



(L = 65mm)

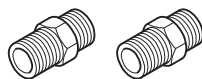
Block (1)



Floor fixing screw set

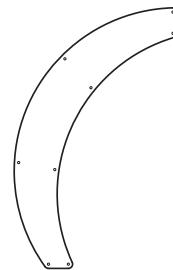


Nipple (2)

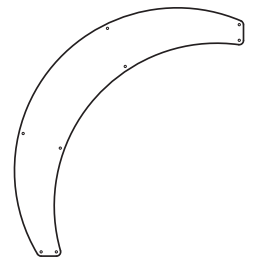


Caster rail (1)

<Front Layout>



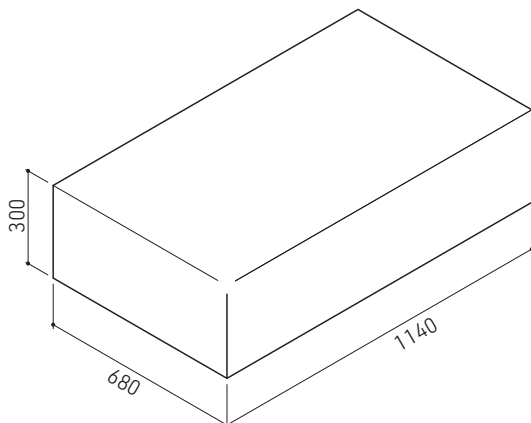
<Rear Layout>



■ Packing size and weight

[Unit: mm]

<SWING Arm : Front Layout / Rear Layout>



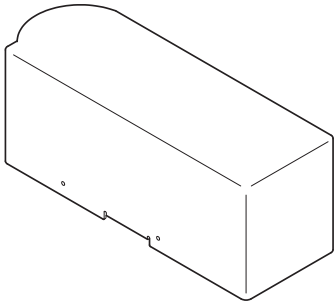
Rotation arm 19kg (including caster rail)
Carton case 5kg

*Weight of front layout and rear layout is the same.

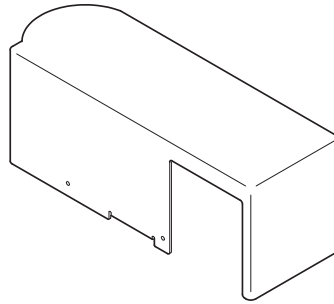
<Plumbing cover>

■ Contents of Packaging

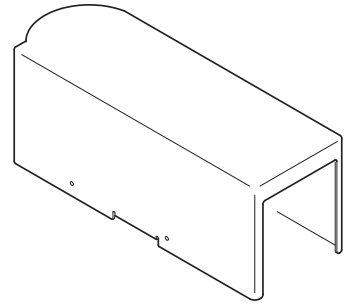
<Under the floor plumbing>



<Wall mounted plumbing>

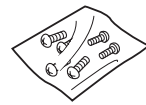


<Above the floor plumbing>



■ Accessories <Under the floor plumbing, Wall mounted plumbing and Above the floor plumbing>

Plumbing cover screw set

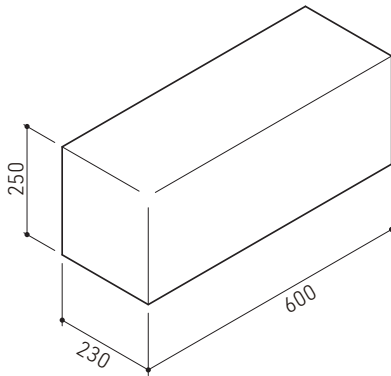


■ Packing size and weight

[Unit: mm]

<Plumbing cover: Under the floor plumbing, Above the floor plumbing and Wall mounted plumbing>

Plumbing cover 5kg, carton case 1kg



<Paper Template>

- Paper template is supplied separately. (Refer to pages 5 to 7.)
For receiving it, please contact the nearest dealer or Takara Belmont directly.

Carrying the Product

■ Carrying the Basin Unit

1 Remove the maintenance cover from the main body.

- Remove the protective tape and the Knurled thumb screws from the maintenance cover.
- * Remove the maintenance cover keeping the protective tape taped to the main body cover.

⚠ Caution

Do not lose the Knurled thumb screws holding down the maintenance cover.
The Knurled thumb screws are used for holding down the maintenance cover later. (see page 33)

2 Detach the basin unit from the skid.

- While supporting the basin unit with hands, remove the screws which are fixing base and skid (four locations).

⚠ Caution

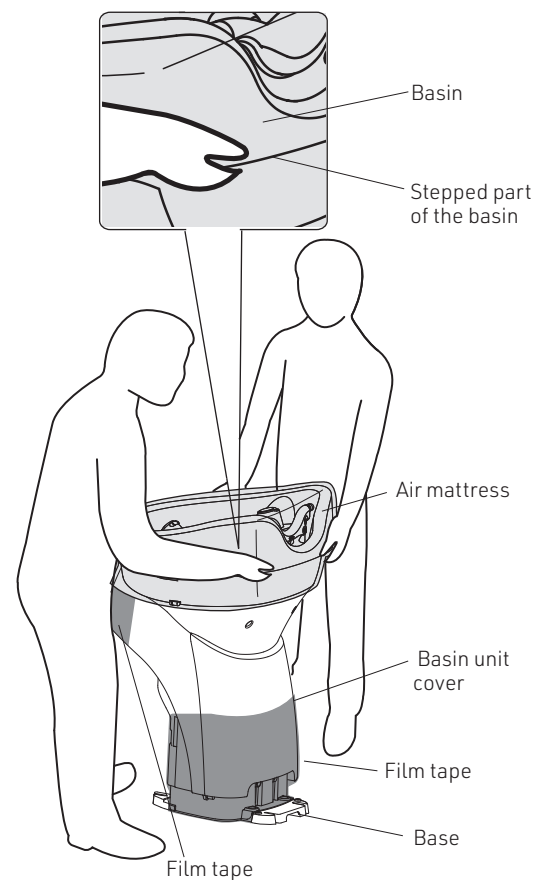
Always have at least two people to do this process. Not holding the basin unit while removing the screws may cause it to fall.

3 Carrying the basin unit.

- When carry the basin unit, be sure to observe the below.
 - Carry it without removing air mattress from the basin and film tape from the basin unit.
 - Carry the stepped part under the basin. Do not hold basin unit cover. Also, carry it with two people. (Refer to the right illustration.)

⚠ Caution

- Never hold the basin unit cover. Failure to follow this caution may cause breakage of the basin unit cover.
- Take care when handling the basin as it is heavy and fragile.
- Do not drag the unit while holding the basin (ceramic). The foot part of the basin is made of steel, so dragging it may damage the floor surface or crack the basin itself.
- The basin may become damaged if scratched by metallic objects such as watches or belts. Remove all metallic objects such as watches when carrying the basin.
- Take extra care to ensure not to damage the covers.
- Do not touch the pipes of basin unit. Doing so may cause water leaks.
- Since the basin unit tends to tumble, when it is not fixed on the floor, be careful of the falling accidents.



■ Carrying the SWING Arm

(1) Take out the SWING arm from the carton case.

(2) When carrying the SWING arm, be sure to observe the below.

- Hold it at the fixing base and rotation arm.
Do not hold it at the rotation arm cover, hot water/water pipes or drain pipe.
Always have two people to carry it.

⚠ Caution

The rotation arm cover may cause peeling of the painting of the surface if scratched by metallic objects such as watches or belts.
Pay greatest possible attention not to damage it.
Remove all metallic objects such as watches when carrying it.

Installation of the Product

*Be sure to follow the below instructions to install the product.

Failure to follow these instructions or not in order may prevent to install the basin unit and SWING arm correctly.

Flow of installation of the product 【In case of new construction】

<Front Layout> <Rear Layout> Common procedures	Refer to
1 Check the Position of Mirror and Cabinet	page 17
2 Installation of SWING Arm * Use the floor template when fixing it. (Refer to pages 5, 6)	pages 17, 18
3 Installation of Caster Rail * Use the floor template when fixing it. (Refer to page 7)	pages 19 to 22
4 Installation of Basin Unit	pages 23, 24
5 Plumbing	pages 25, 26
6 Installation of Chair * For the details, refer to installation manual supplied with each chair.	pages 27, 28
7 Adjustment of Center of Basin Unit and Chair	pages 29, 30
8 Checking after Plumbing	page 31
9 Installation of Base Front Cover	page 32
10 Installation of Rotation Arm Cover	page 32
11 Installation of Maintenance Cover	page 33
12 Installation of Caster Cover	page 33
13 Installation of Plumbing Cover	page 34

After Installation

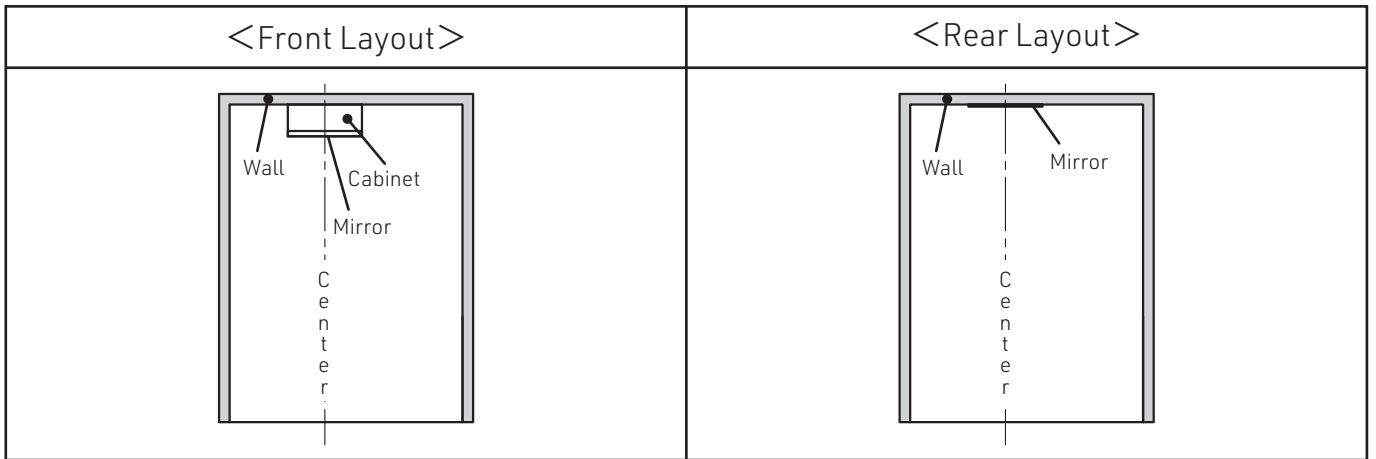
<Front Layout> <Rear Layout> Common Procedures	Refer to
○ Inspection items	page 35
○ Attach the neck cushion and the head pillows *Attach head pillows only for YUME Basin.	pages 35, 36

Caution

Before fixing the SWING arm and caster rail, always mark on the floor referring to the floor template. (Refer to pages 5 to 7.)

1 Check the Position of Mirror and Cabinet

(1) Check the mirror and cabinet center line.

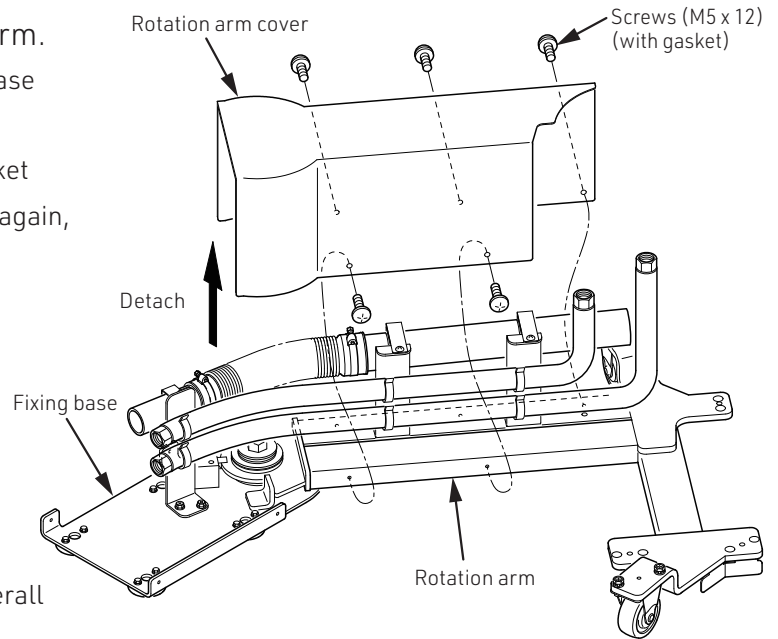


2 Installation of SWING Arm

1 Detach the rotation arm cover of SWING arm.

*Without detaching the rotation arm cover, fixing base can not be fixed on the floor.

*The screws of rotation arm cover (screw with gasket ((M5 x 12) x 5 pcs.) will be used when attaching it again, so please pay attention not to lose them.



2 Marking the bolt anchor points.

○Refer to the floor template (pages 5 to 6) and overall layout diagram, check the dimension of the raised pipes of water, hot water and drain, and prepare for the installation.

(1) Set the paper template on the floor aligning it with the floor fixing position of the fixing base.

*The floor fixing point of the fixing base differs depending on the chair used with Yume Swing.

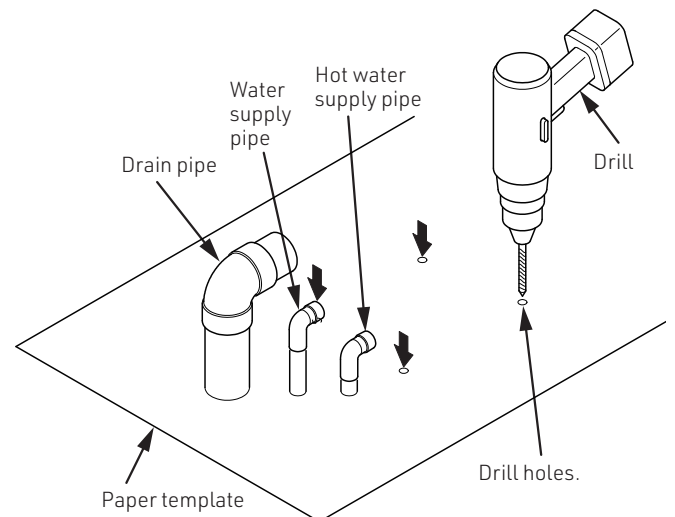
(2) Mark the screw or bolt anchor position of the fixing base of SWING arm (five locations).

【Bolts to be used】 [Unit: mm]

Wooden floor	Other than wooden floor
Screw (M8 x 65)	Anchor bolt (M8 x 70)

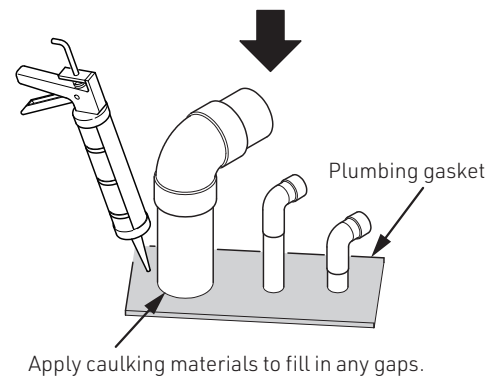
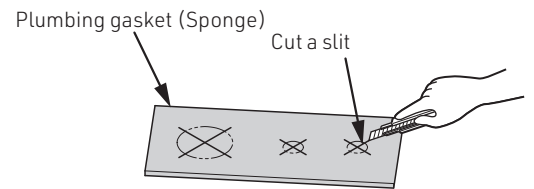
(3) Drill holes at the screw or bolt anchor position on the marked points of the floor.

(4) Remove the paper template.



3 Attach plumbing gasket.

- (1) Cut a slit in the plumbing gasket to suit the position of the raised pipes.
- (2) Peel away the sheet from the adhesive surface of the plumbing gasket and stick it to the floor surface.
- (3) Cut out a circle around the slit cut in the plumbing gasket to suit the pipes, and fill in any gaps with caulking materials.



Caution

Always attach plumbing gasket and apply caulking materials to the areas around the pipes so that there are no gaps, in order to prevent condensation within the basin unit and inside of the SWING arm or water seeping on the floor in the event of water leaks.

- If plumbing gasket is not used, condensation may cause water to pool on the floor, structural parts may start degradation and malfunctions may occur.

4 Secure the fixing base on the floor using the screws or the anchor bolts.

- (1) Align the holes of the fixing base with the drilled holes (process 2) on the floor.
*Be sure to align those holes at each center position.
- (2) Fix the fixing base by five pcs. of the screws (M8 x 65) or anchor bolts (M8 x 70), five pcs. of flat washer (for M8) and five pcs. of gear washer (for M16) on the floor.
- (3) If the plumbing gasket comes out from the fixing base, cut the plumbing gasket.

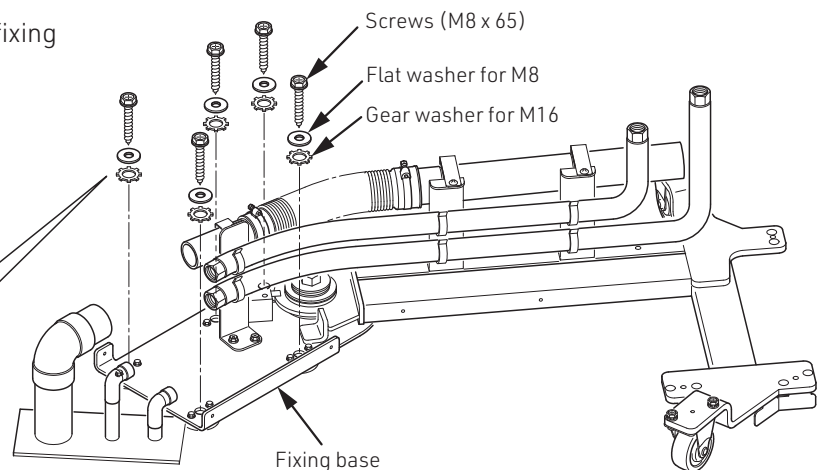
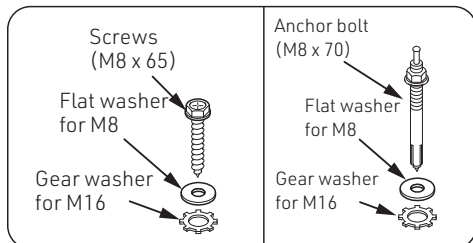
Caution

Be sure to fix the fixing base to come to parallel to the wall.
• If it is not in parallel, basin unit may hit the wall at the initial position or position adjustment with chair becomes difficult.

【Bolts to be used】

[Unit: mm]

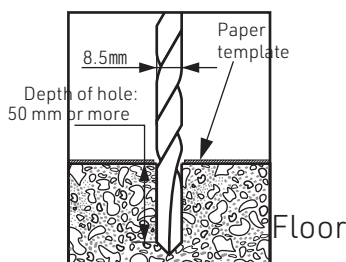
Wooden floor	Other than wooden floor
Screws (M8 x 65)	Anchor bolts (M8 x 70)



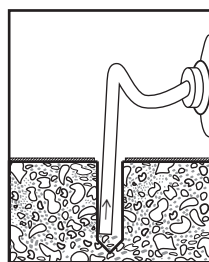
● Installation process for anchor bolts (Other than wooden floor)

Caution

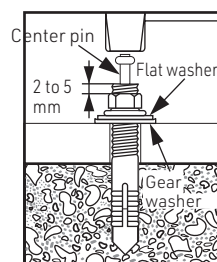
- The strength of the anchor bolts will be reduced if they are hammered to the bottom of the hole. Be sure to open up a gap.
- When using anchor bolts, install it with the head of the bolts comes out 2-5mm from the nut.



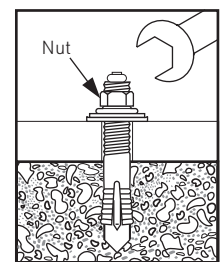
- (1) Drill open a hole of the specified diameter and depth.



- (2) Remove the dust from each anchor hole by cleaning with a vacuum cleaner, etc.



- (3) Insert the anchor bolt and tap it with a hammer until the center pin makes contact with the head.



- (4) Adjust the fastening strength of the nut using a wrench, etc.

3

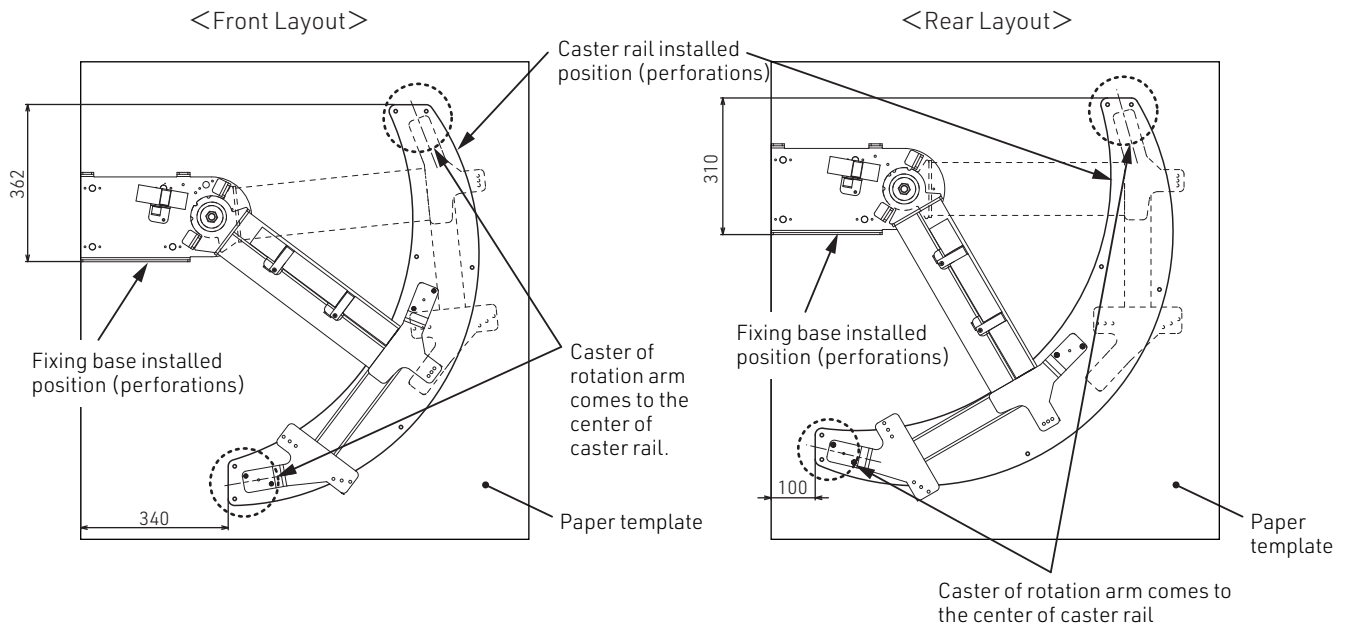
Installation of Caster Rail

- 1 Hold the rotation arm and set the paper template.

Caution

Do not apply excessive force when carrying the rotation arm.
 • Failure to follow this caution may result in product breakage.

- (1) Carry the rotation arm and insert the paper template (Refer to page 7.).
- (2) Align the caster of rotation arm and caster rail (perforations).
 *Check that the caster of the rotation arm comes to the center line of the caster rail.



- (3) Align the fixing base with the fixing base part in the paper template (perforations).
- (4) Fix the paper template on the floor.
- (5) Insert the block (30mm x 40mm x 60mm) under the rotation arm and make the gap between floor and rotation arm.

Important

The following process 2 differs depending on the floor material.

Do the appropriate process.

- Wooden floor ➡ Refer to page 20 "Drill holes on the attachment position of the caster rail."
- Other than wooden floor ➡ Refer to page 21 "Hammer anchor bearing in the attachment positions of caster rail."

■ Wooden floor

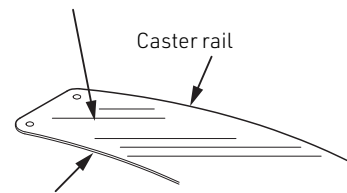
2 Drill holes on the caster rail attachment position.

- (1) Insert the caster rail under the rotation arm and set to the paper template position.
*Hairline surface to be placed upward.

Caution

Hairline surface of caster rail to be placed upward.

Upper surface : Hairline finish
(Surface containing the line in the same direction)



Under surface
(Surface without line)

- (2) Mark the center part of screw attachment position of caster rail.

Caution

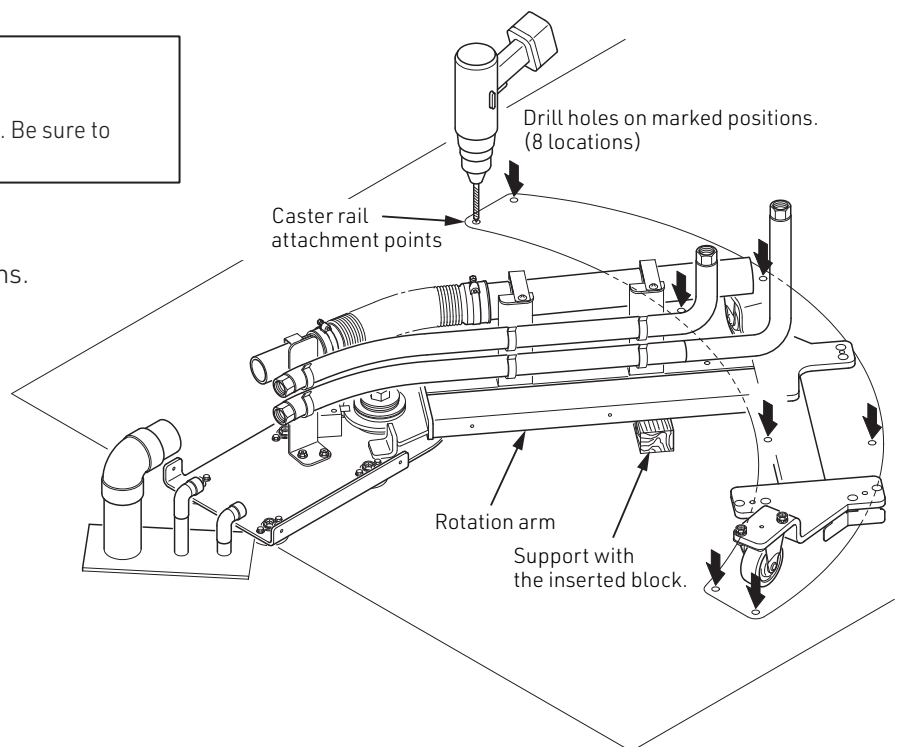
Use the actual caster rail and mark the points. Be sure to mark at the center of each screw hole.

- (3) Remove the caster rail.
(4) Drill the holes at the marked positions.

【Screws to be used】 Unit: mm

Wooden floor

Tapping (5 x 30)



■ Other than wooden floor

2 Hammer anchor bearing in the caster rail attachment positions.

- (1) Insert the caster rail under the rotation arm and set it aligning with the paper templates.

*Hairline surface to be placed upward.

⚠ Caution

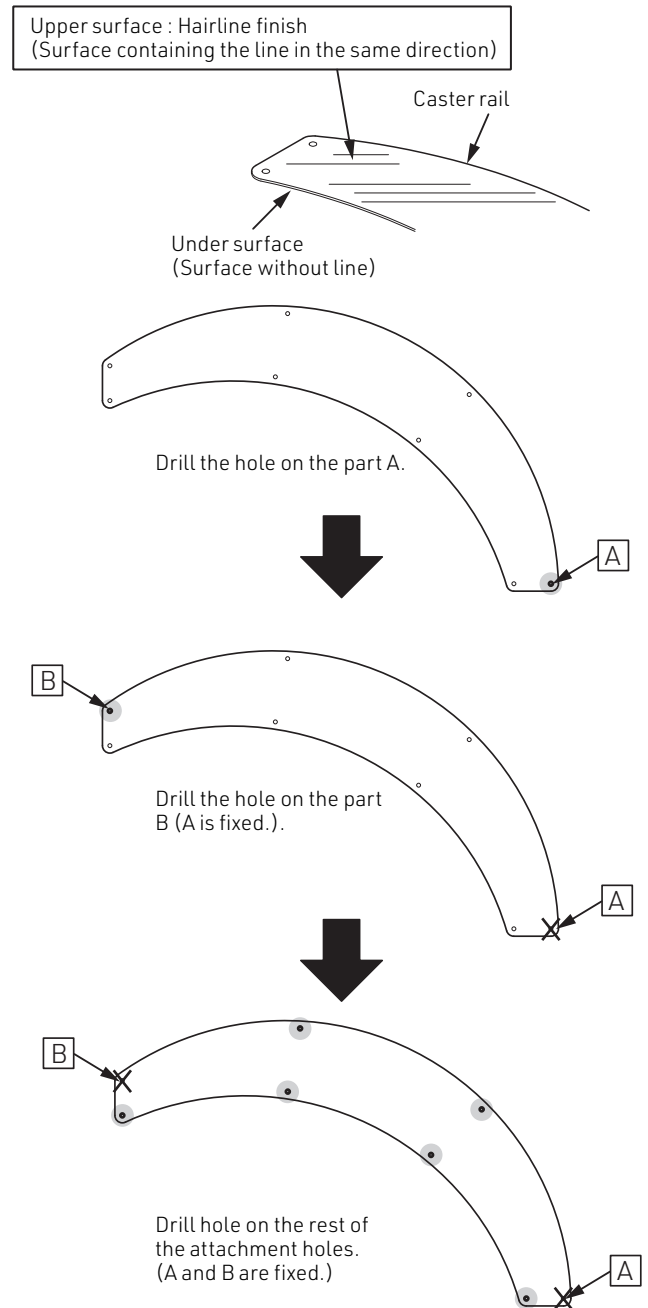
Hairline surface of caster rail to be placed upward.

- (2) Place the caster rail and drill hole on the part **A**.
- (3) Remove the caster rail and hammer the anchor bearing on the hole.
- (4) Return the caster rail to the initial position and fix the part **A** using with tapping (5 x 30).

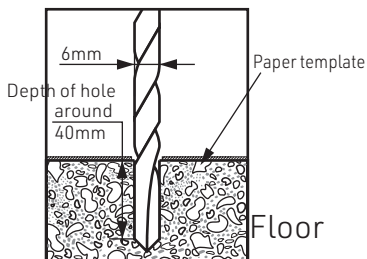
【Screws to be used】 Unit: mm

Other than wooden floor
Tapping (5 x 30)
Anchor bearing

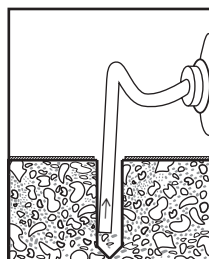
- (5) Drill a hole on part **B**.
- (6) Loosen the tapping of **A**, move the caster rail slightly and hammer the anchor bearing.
- (7) Return the caster rail to the initial position and fix **A** and **B** using with tapping (5 x 30).
- (8) Drill the hole at the rest of 6 locations.
- (9) Remove the tapping (2 pcs.) from **A** and **B** attached previously and remove the caster rail.
- (10) Hammer the anchor bearing in the rest of 6 holes.



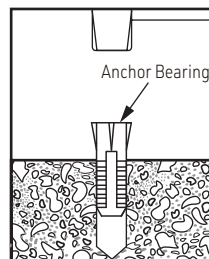
● Installation process of anchor bearings (Other than wooden floor)



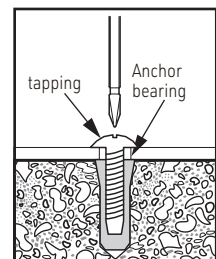
- (1) Drill open a hole of the specified diameter and depth.



- (2) Remove the dust from each hole by cleaning with a vacuum cleaner, etc.



- (3) Insert the anchor bearing and tap it with a hammer completely.



- (4) Align with caster rail attachment holes and fasten the truss tapping.

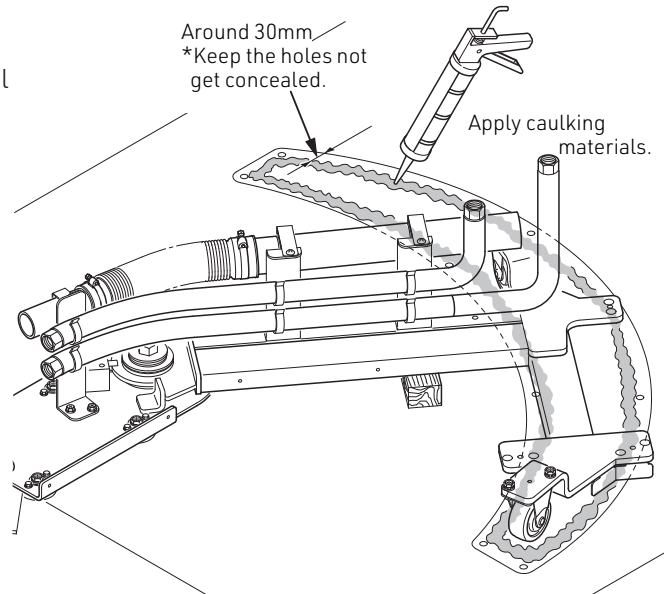
3 Caulking the caster rail fixed positions.

- (1) Apply caulking material on the floor where the caster rail will be installed.

Caution

Be sure to apply caulking material.

- Without caulking, water leaks inside between rail and floor and it may cause degradation of the floor material or the rail rust.
- Apply appropriate amount of the caulking material so that it does not come out from the caster rail.



4 Fix the caster rail to the floor with screws.

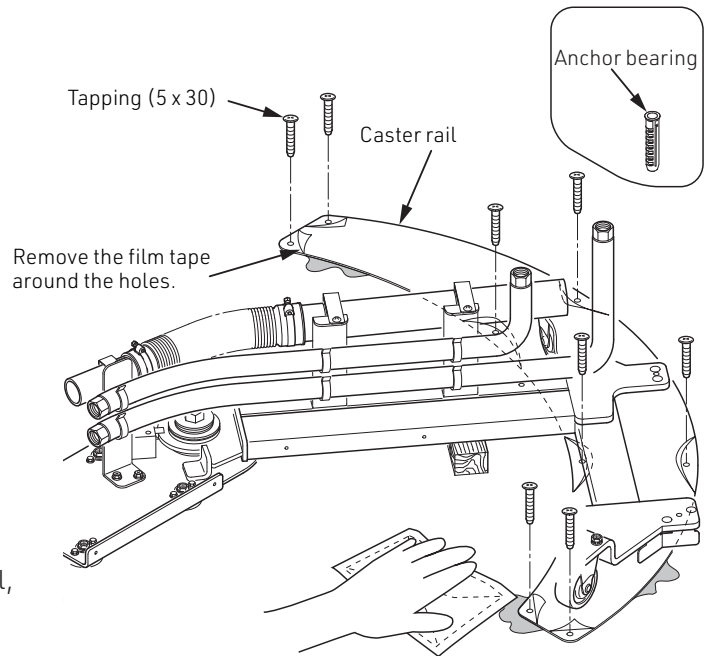
Caution

- Caster rail with film to be placed upward.
 - Align the center of the hole in the rail with the center of the screw and fix it.
 - When fixing with screws, please insert firmly into the cross hole.
- If it is not fully inserted, the screw hole may be crushed and may not be usable.
- Fix so that no burr appears in the cross hole of the screw. There is a risk of hand injury in burr.

- (1) Insert the caster rail under the rotation arm.
- (2) Fix the caster rail on the floor with 8 pcs. of tapping (5 x 30).

【Screws to be used】 [Unit: mm]

Wooden floor	Other than wooden floor
Tapping (5 x 30)	Tapping (5 x 30) Anchor bearing



Wipe the caulking material that came out from the caster rail.

5 Cleaning

- (1) If the caulking material comes out from the caster rail, wipe it away.
- (2) If caulking material, dirt or dust, etc. is contaminated with the caster, remove them completely.

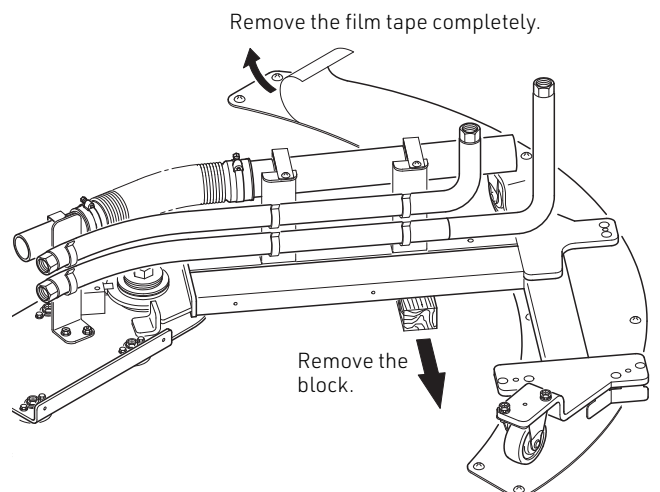
6 Remove the paper template and the block

- (1) Remove the film tape on the caster rail completely.
- (2) Remove the block which holds the rotation arm.
- (3) Hold up the rotation arm and remove the paper template.

Caution

When holding up the rotation arm, do not apply excessive force.

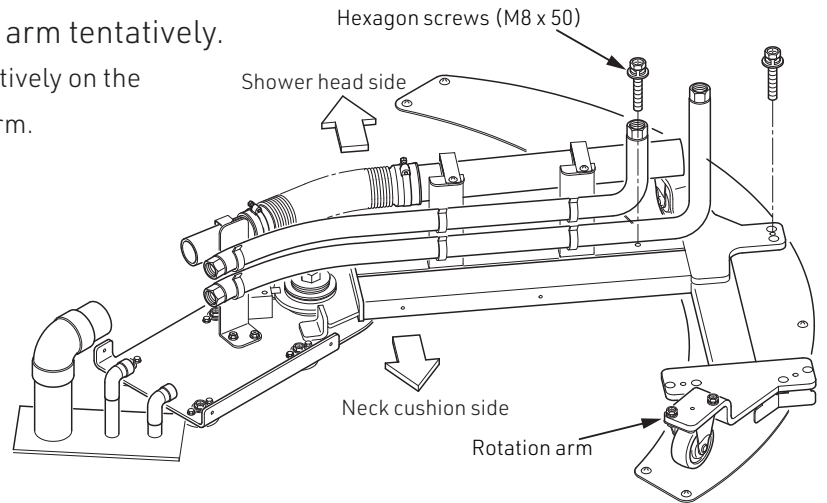
- Failure to follow this instruction may cause breakage of the product.



4 Installation of Basin Unit

1 Attach hexagon screws to the rotation arm tentatively.

- (1) Attach the hexagon screws (M8 x 50) tentatively on the attachment holes (2 locations) of rotation arm.

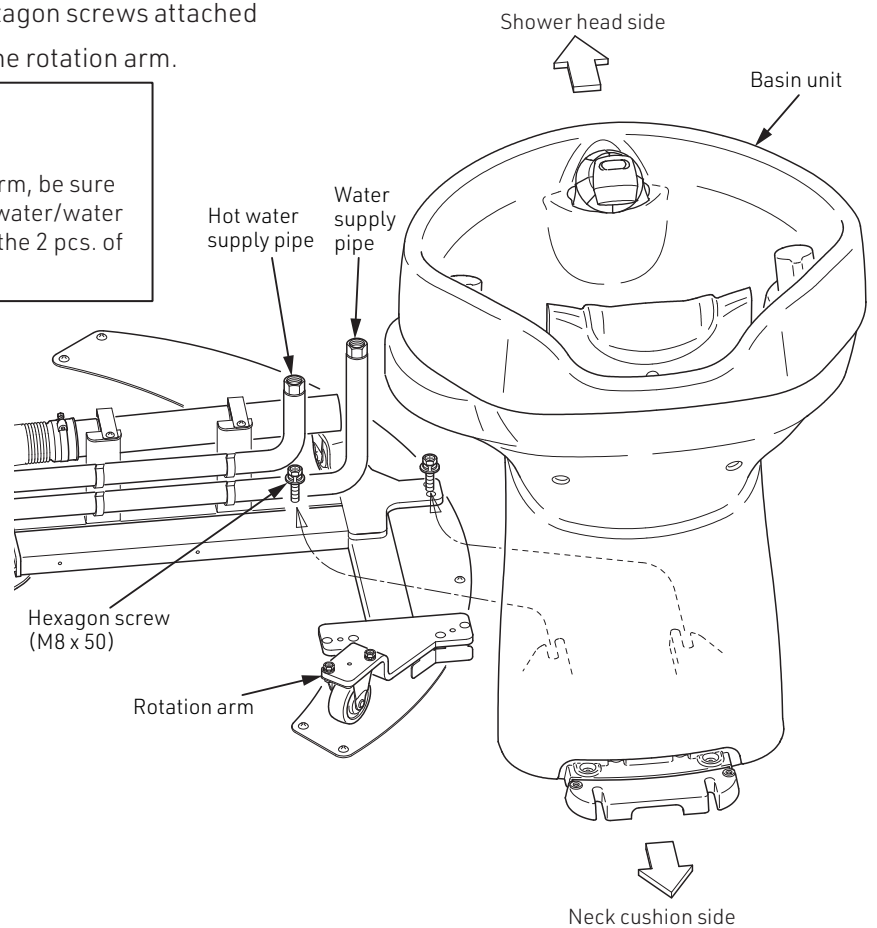


2 Fix the basin unit on the rotation arm

- (1) Set the basin unit to the position of hexagon screws attached tentatively and place the basin unit on the rotation arm.

Caution

When placing the basin unit on the rotation arm, be sure that it does not pinch flexible pipe of the hot water/water pipes. Install the basin unit while holding up the 2 pcs. of flexible pipes.



(2) Align the basin unit with the attachment holes (2 locations) on the neck cushion side, and fix the basin unit with 2 pcs. of hexagon screws (M8 x 50).

*Fasten the hexagon screws completely.

Note

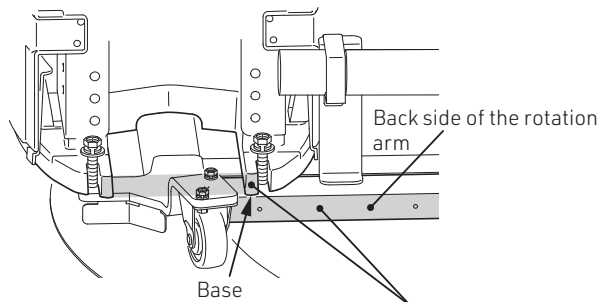
Do not use the attachment covered by seal.
The holes with seal will be used at "Adjustment of Center Position of Basin Unit and Chair" (Refer to page 29.)

Caution

When installing the basin unit on rotation arm, pay attention to make the back side of the base and rotation arm (shown in gray color in the below illustration.) to face the same side.

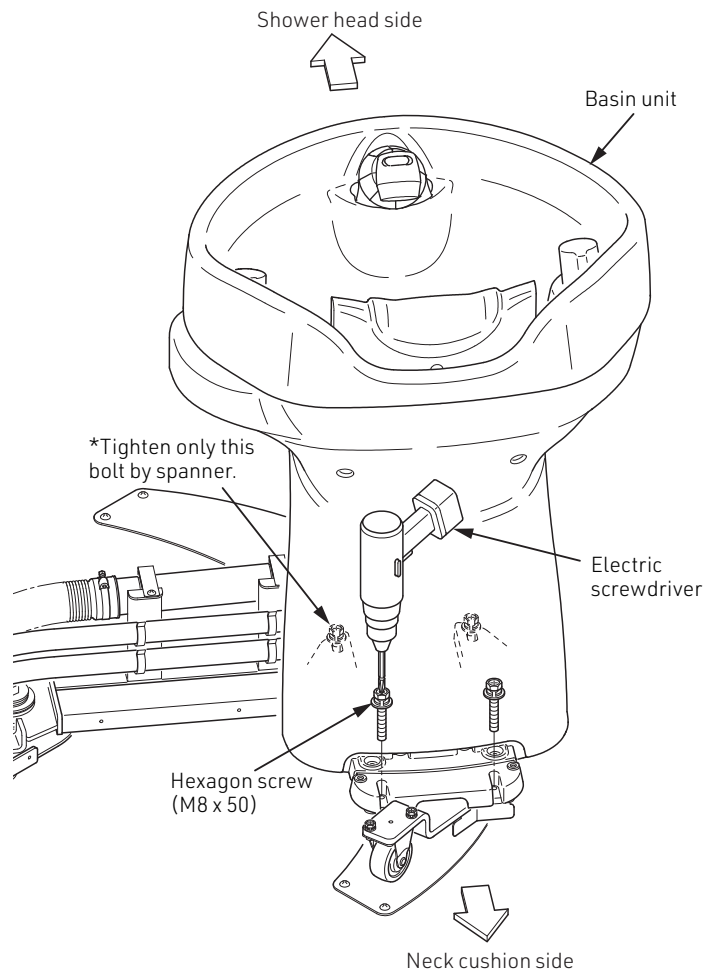
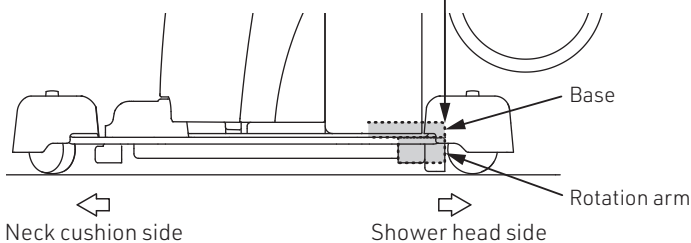
- Failure to follow this instruction may cause the rotation arm cover and basin unit to contact or will not be installed properly.

●View from shower head side

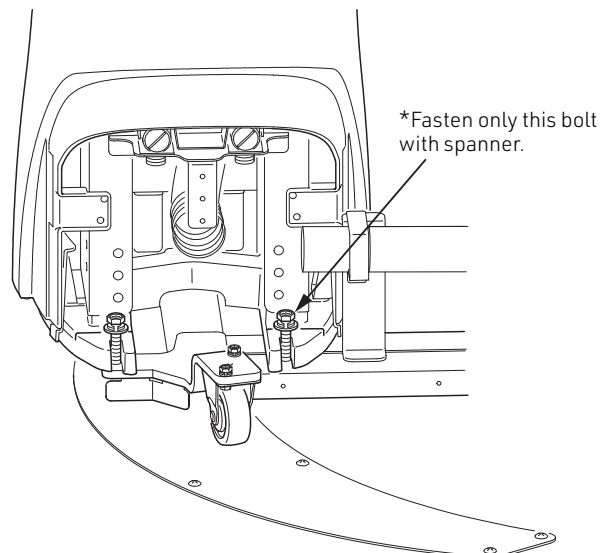


*Make these parts to align.

●View from the side



●View from the shower head side



(3) Fasten the hexagon screws of the shower head side.

Note

Since there is no space to insert the electric screwdriver, use a spanner for fastening the hexagon screw on the right side of shower head.

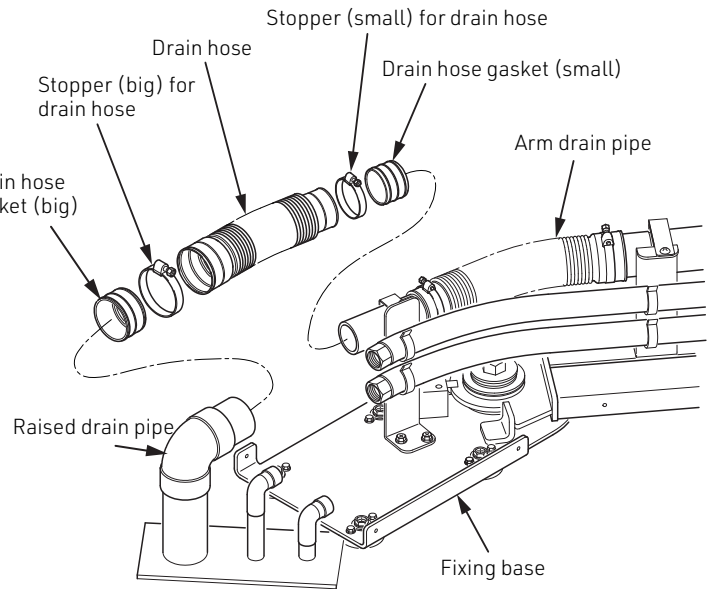
5 Plumbing

5-1 Connecting the raised pipes

- (1) Check the followings before installation.
 - Raised pipes are set properly according to the overall layout diagram (Refer to pages 2, 3) and paper template (Refer to pages 5, 6) according to the product specifications.
 - Gaskets are installed securely.
- (2) Remove the waste of pipes such as dust, sand, oil, etc.

5-1-1 Attaching the drain pipe

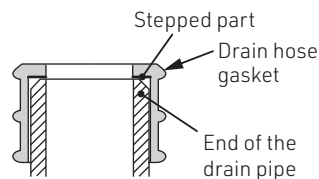
- (1) Attach the drain hose gasket to the drain pipe.
 - *Big size is for raised drain pipe, and small size is for arm drain pipe.
- (2) Let drain hose stopper into the drain hose.
 - *Big size is for raised drain pipe, and small size is for arm drain pipe.
- (3) Connect the drain hose and fix it with drain hose stopper.



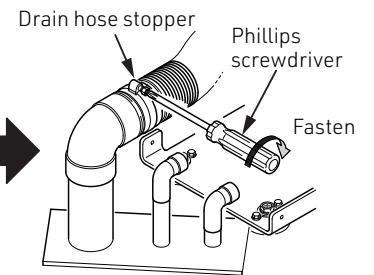
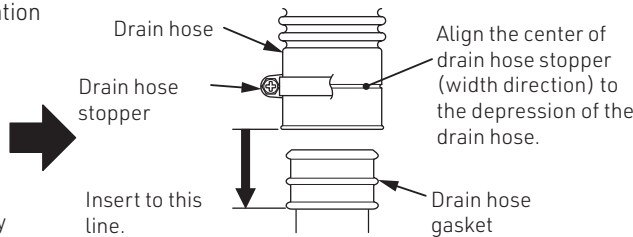
Caution

- Check that there is no bending or scratches on the drain hose. These may prevent smooth flow of the drain or breakage of the drain hose.
- Check that drain hose stopper is fixed firmly. Failure to follow this instruction may cause water leakage, or drop out of the drain hose.

•Detail view of drain hose installation

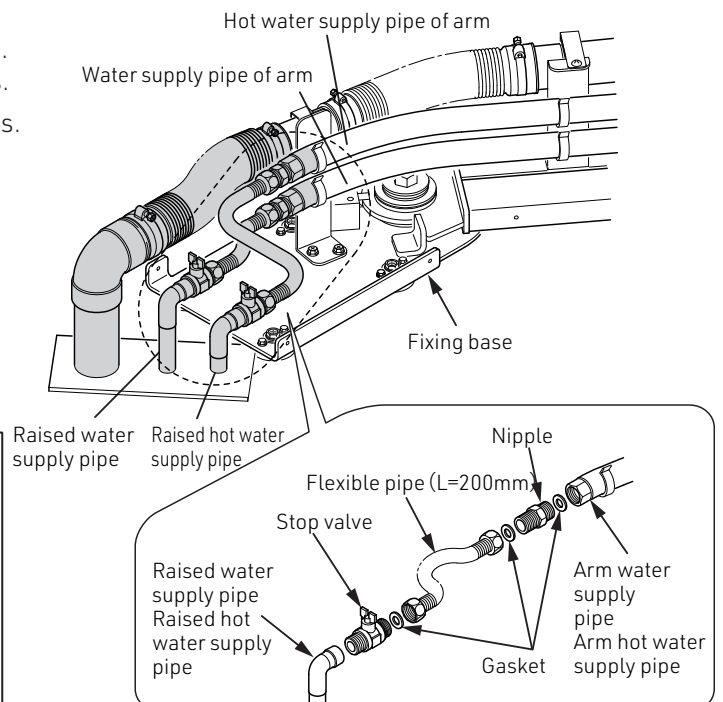


*Insert the drain hose gasket firmly until the stepped part of the inside will contact.



5-1-2 Connecting the water/hot water pipes

- (1) Install the stop valve to raised hot water/water pipes.
 - *Fix it with seal tape and raised hot water/water pipes.
- (2) Install nipple to the arm hot water/water supply pipes.
- (3) Bend the flexible pipe according to the position of nipple and stop valve, and joint it between the nipple and stop valve.
- (4) Check if the gray parts shown in the right illustration does not move widely when sliding the basin unit.
 - *Hot water/water supply pipes move to right and left sides slightly when sliding the basin unit.



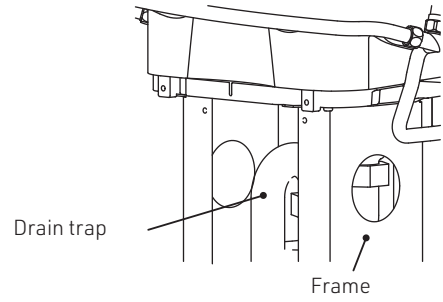
Caution

- Always attach the supplied gasket to the flexible pipe. Failure to follow this instruction may cause water leakage.
- Do not connect hot water and water pipes in reverse.
- Be sure that flexible pipes of hot water/water pipes and drain hose do not contact each other.
- Check if there is no water leakage from the joint parts.

5-2 Connecting the basin unit side

Note

If the water leakage occurs due to breakage of drain trap, etc., contact the nearest dealer or Takara Belmont directly.

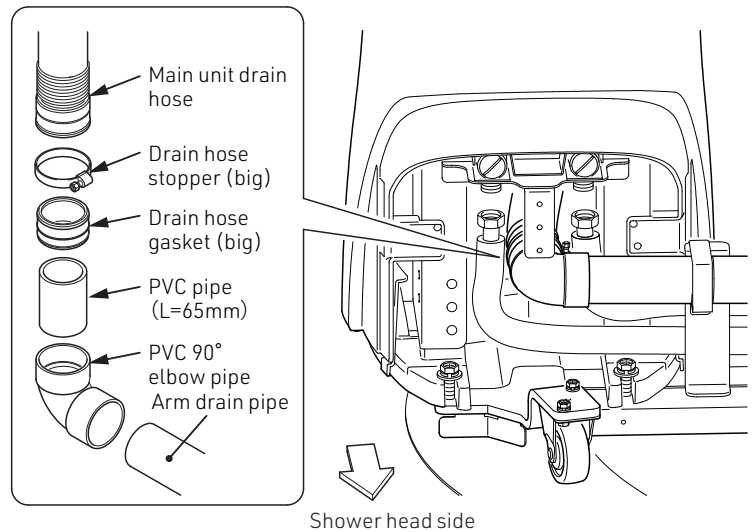


5-2-1 Connecting drain hose

- (1) Install and glue PVC pipe (L=65mm) to PVC 90° elbow pipe.
*Be sure to glue it with PVC adhesion bond.
- (2) Install drain hose gasket (big) to the PVC pipe (L=65mm).
- (3) Let drain hose stopper (big) into PVC pipe, and attach PVC pipe (L=65mm) to Main unit drain hose.
- (4) Fix PVC pipe and Main unit drain hose with the drain hose stopper (big).
- (5) Attach and glue the arm drain pipe to PVC 90° elbow pipe.
*Be sure to glue it with PVC adhesion bond.

Caution

- Check if there is no bending or scratches on the drain hose. Failure to follow this instruction may prevent smooth flow of the drain or breakage of the drain hose.
- Check if the drain hose stopper is fixed firmly. Failure to follow this instruction may cause water leakage or fall out of the drain hose.

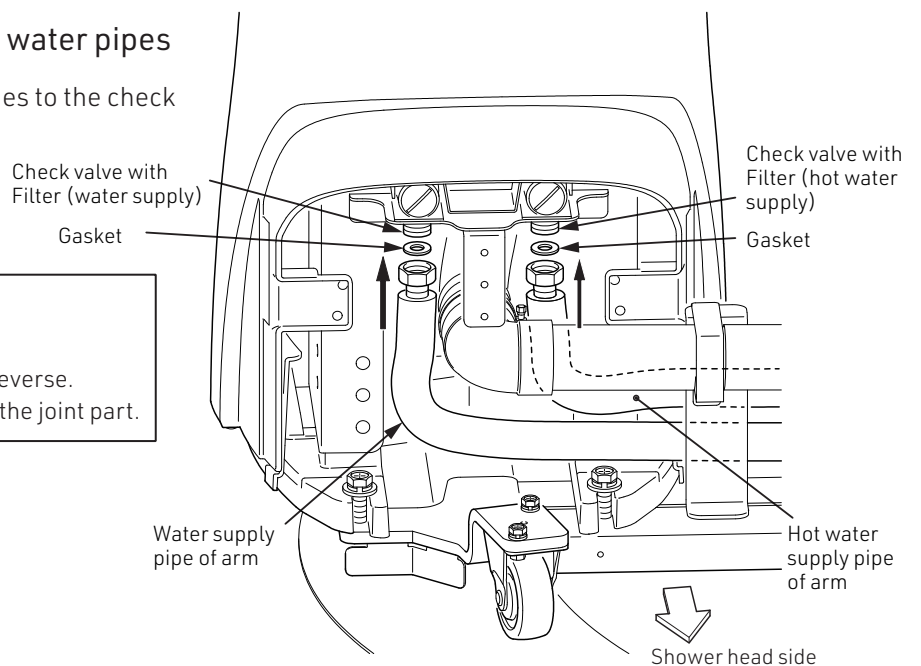


5-2-2 Connection of the water/hot water pipes

- (1) Attach the arm hot water/water pipes to the check valve with filter on the basin side.

Caution

- Do not connect hot water and water in reverse.
- Check if there is no water leakage from the joint part.



6 Installation of Chair

6-1 Installation of Chair

- Refer to the overall layout diagram (pages 2, 3) and paper template (pages 5, 6) and install the chair.
- * Refer to the supplied installation manual of each chair for checking the details of chair installation.

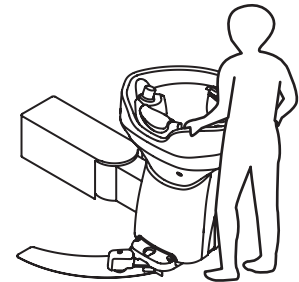
■ Sliding the basin unit

When sliding the basin unit, hold the edge of basin.

Basin unit is locked at the initial position and shampooing position. Slight click will be felt when it is locked.

⚠ Caution

- While sliding the basin unit, hold the basin with hands at around the area of initial position and shampooing position, and lock the unit gently. If the basin unit is attached to lock points swiftly, it may result in product breakage or injury.



6-2 Setting of the chair preset position

Note

Refer to the operating manual supplied with each chair to check the chair operation.

- (1) Slide the basin unit to the shampooing position and lock it.
*When locking it, slight click is felt.
- (2) Unlock the chair rotation and rotate the chair to the shampooing position.
- (3) Align the center of chair and basin unit, and lock the chair rotation.
- (4) Recline the chair to its maximum position.
- (5) Raise the chair and adjust the height between the edge of backrest (neck attached position) and neckrest fittings of the basin unit.

【Height difference between backrest edge and neckrest fittings】

[Unit: mm]

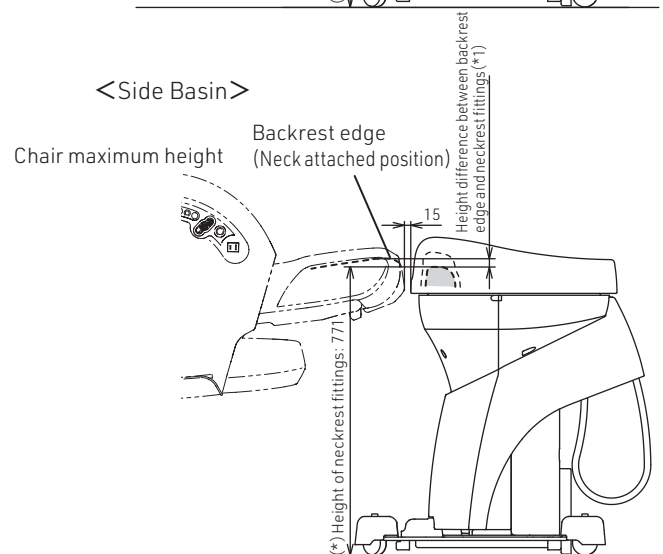
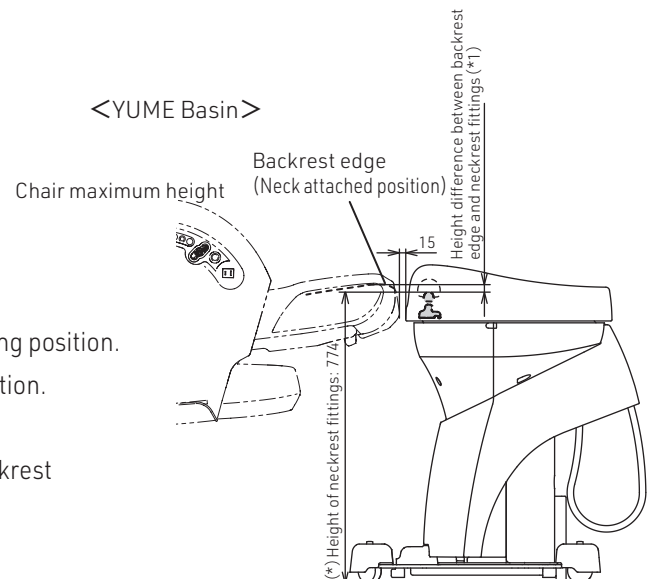
Product name	Height difference between backrest edge and neckrest fittings(*1)
LUAR	0
LEGEND	0
INOVA	- 10
DIVAN	10
LUXURY MAXIM	- 10
REGALO II	- 10
SET JOY Able	0
penta	15
macaron	15

*The above value shows the height of neckrest fittings comparing to the edge of backrest (headrest).

【For example】 In case of - 10,

Neckrest fittings are 10 mm lower than the edge of backrest (headrest).

- (6) Set the preset position of the chair.



(*1) Height of neckrest fittings slightly differ from product to product.

6-3 Checking after installing the chair

○After moving the basin unit to the shampooing position (Refer to pages 2, 3), move the chair to preset position, and check the followings. *Refer to the operating manual supplied with each chair for checking the chair operation.

■ Inspection items

- 1) If the space between backrest edge of the chair and the basin is around 15 mm.
- 2) Center of the chair aligns with the center of basin unit.
If it does not align, perform the process "7 Adjustment of the Center of Basin Unit and Chair" (page 29).

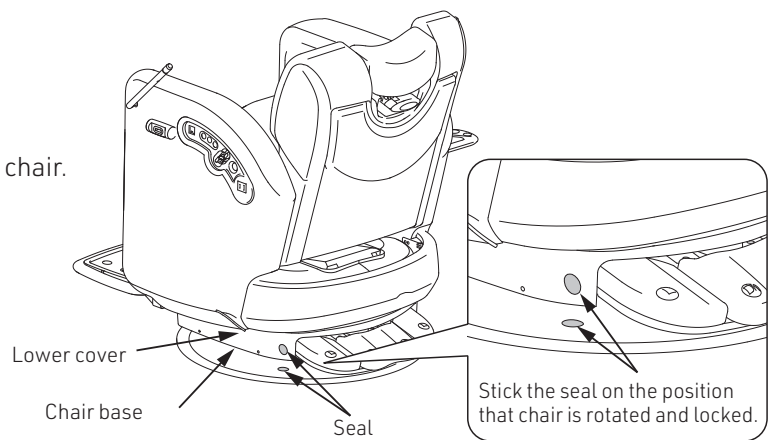
6-4 Attaching seal

○Stick 2 pcs. of seals on the chair at the fixed shampooing position for easy setting from next time.

*6 pcs. of seal is supplied but 4 pcs. are spare.

■ Position of the seal to be attached

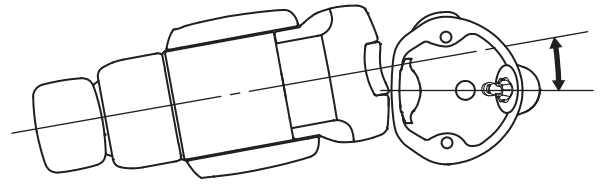
- Chair base and lower cover
- Visible position when rotating and locking the chair.



○After the completion of chair installation, if the center of chair and the basin unit need adjustment, perform the following processes.

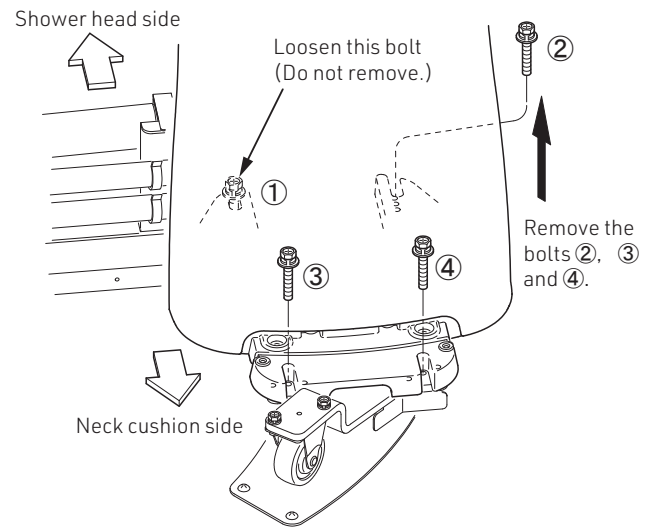
<Adjusting the position of basin>

- (1) Check the difference between the center of chair and basin unit.
- (2) Loosen the basin unit attachment screws (4 pcs.).
- (3) Slide the basin unit to the desired direction and align the center of chair and basin unit.

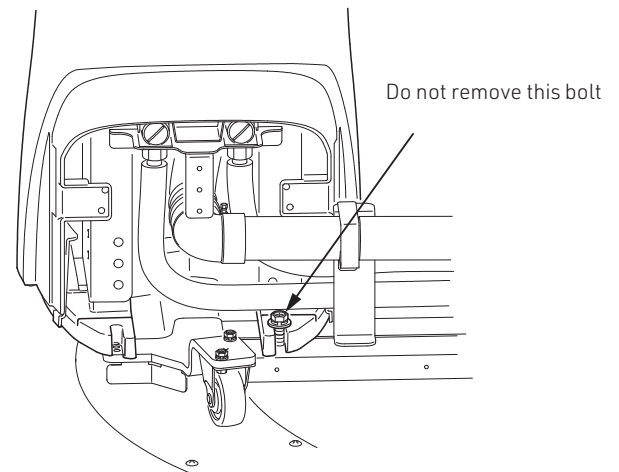


■If the center will not align even when doing the above (2), (3) processes.

- (4) Loosen the bolt ① at the right side of the basin unit on the shower head side.
Remove the bolts ②, ③ and ④.



●View from shower head side



- (5) Centering the loosened bolt, rotate the basin unit to the desirable direction for adjustment.
- (6) Secure the bolts on the screw holes which locate at the desired direction for the adjustment and fix the basin unit on the rotation arm.

Note

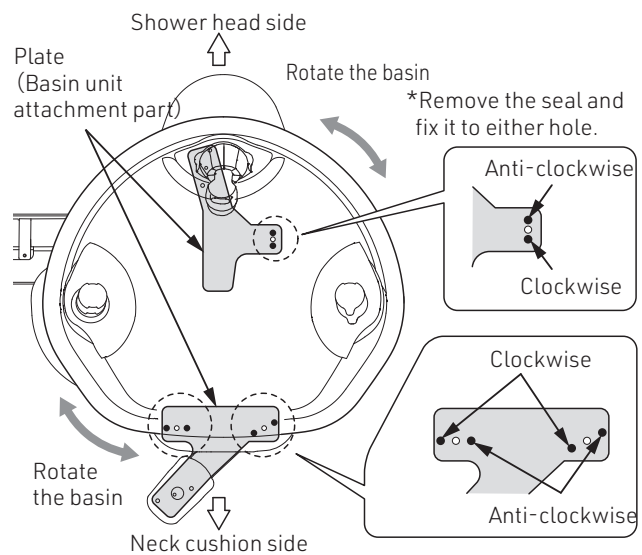
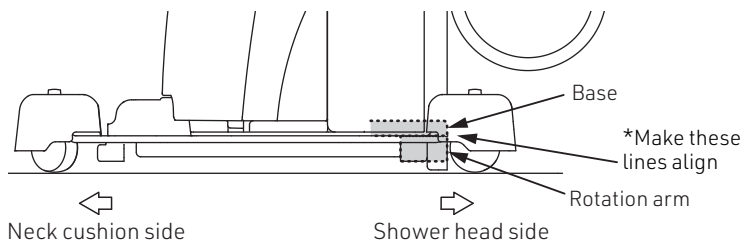
There is 1 each screw hole at the clockwise and anti-clockwise direction for adjusting the basin unit. The holes are covered by seal. Remove the seal and use the holes as necessary.

Caution

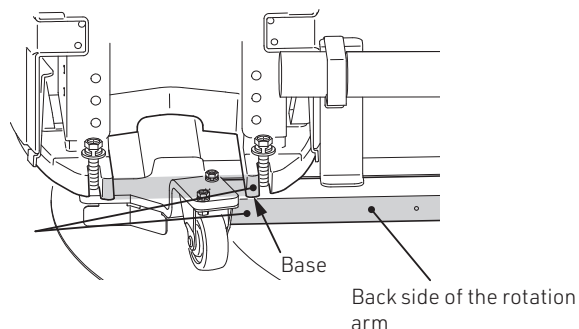
When installing the basin unit to rotation arm, align the back side of the base and rotation arm.

- Failure to follow this instruction may cause rotation arm cover and basin unit to contact, or product will not be installed correctly.

●View from the side



●View from the shower head side

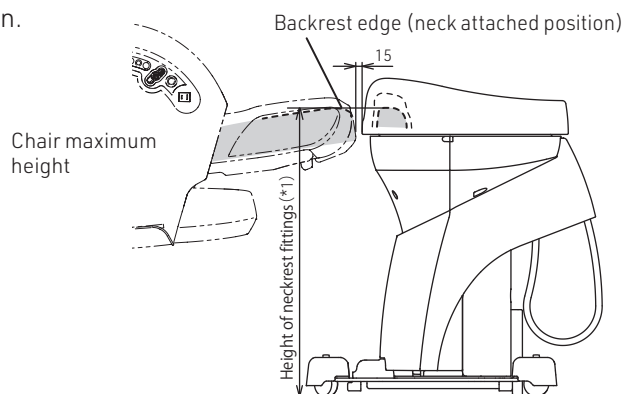


- (7) Refer to the right illustration and adjust the chair position.

Caution

Pay attention to make chair aligns with the mirror center.

Basin Unit	Height of neck fittings (*1)
EX-YMSBXSS [Side Basin]	771
EX-YMSBXYM [YUME Basin]	774



8 Checking after Plumbing

1 Test water flow

Caution

Always test the water flow to prevent accidents during use.

*Test the water flow and inspect the followings.

- (1) There is no water leakage at the joint parts.
The pipe joints may come loose during transportation, so check the joints inside of the basin thoroughly.
- (2) Hot water supply and water supply pressures are at the same and stable pressure.

If the pressure is not the same, see "How to adjust faulty temperature regulation" below.

- (3) Check that the temperature can be controlled properly.
- (4) Check that the shower outlet flow is sufficient, by the right chart as a guide for flow rate.

2 Cleaning

- (1) Flow water until hot water becomes clean.
- (2) Clean the filter (of the check valve) and Dual function shower head.

Caution

- Be sure to do the cleaning. Failure to follow this instruction may result in insufficient flow rate and faulty temperature regulation.
- While cleaning them, pay attention not to make scratches on the O-ring or gasket.

Note

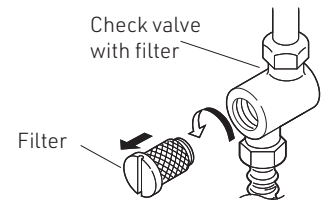
- *For a while after starting water flow test, hot water is not clean but this is not the failure of the product.
- *For safety reason, the thermostat of the product does not discharge hot water at 53°C or higher.
(In the case that the supply pressure is the same and the cold water temperature is 20°C and hot water temperature is 60°C.)

【Shower discharge flow rate】

		Dual function shower head
Hot water / water pressure		0.1 MPa
Hot water temperature		40 °C
Water discharge amount	Shower water	Approx. 10.0 L/min
	Foaming water	Approx. 6.5 L/min

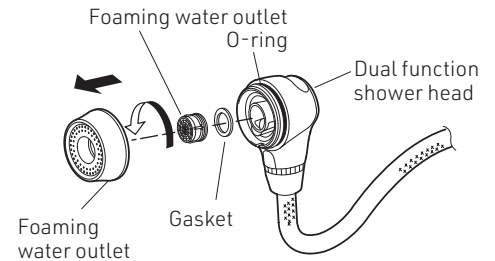
Clean the filter

Remove and clean the dirt from the filter.



Clean the Dual function shower head

Remove and clean the dirt piled inside of the foaming water outlet.



How to adjust faulty temperature regulation

○Contents of defect

- (1) Something wrong with hot water (Temperature is unstable)
- (2) Hot water (high temperature) does not come out
- (3) Water (low temperature) does not come out

○Presumed cause

- (1) There is big difference between the water supply or hot water supply pressure, or the pressure of hot water supply is higher than the pressure of water supply.
[the pressure of water supply \geq the pressure of hot water supply (The difference should be in the range of 0.2MPa)]
- (2) Pressure of water supply and hot water supply is high.
[These two should be in the range between 0.1 to 0.4MPa (1 to 4kgf/cm²)]

○Countermeasures

Connect a pressure reducing valve (Optional) on the upper side (mixer side) of the check valve with filter, then adjust the pressure. (It is recommended that water supply pressure and hot water supply pressure become the same pressure)

*For the pressure reducing valve, contact the nearest dealer or Takara Belmont directly.

9 Installation of Base Front Cover

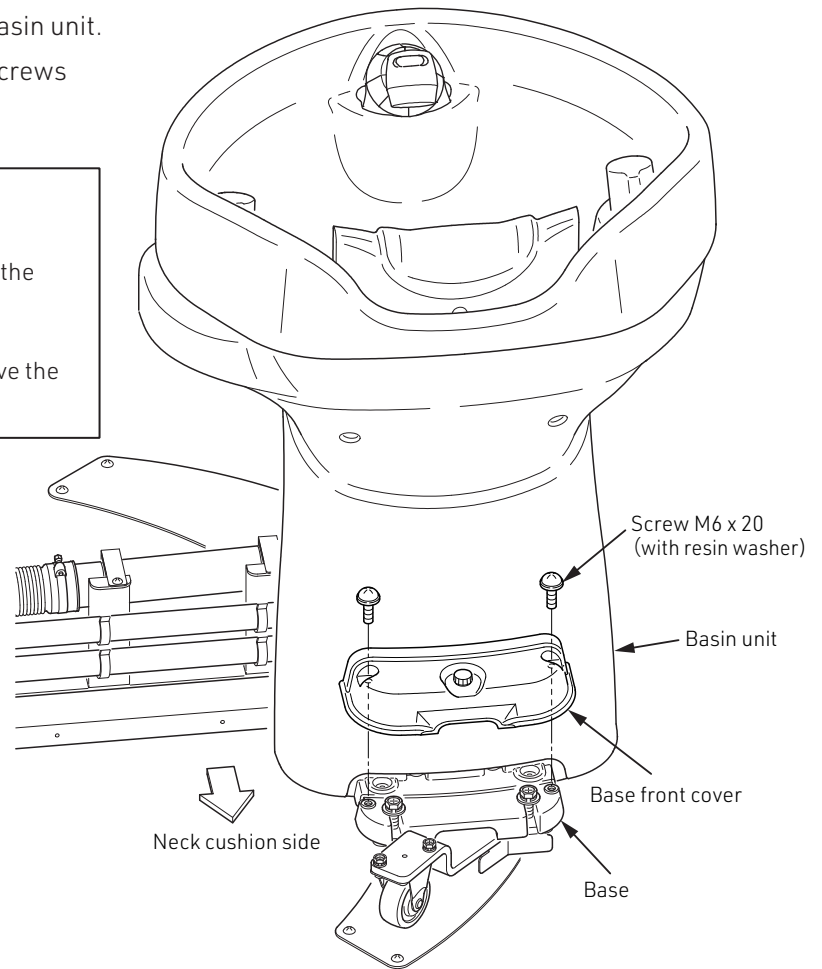
1 Install the base front cover to basin unit

- (1) Attach the base front cover to the base of basin unit.
- (2) Secure the base front cover with 2 pcs. of screws (M6 x 20, with resin washer).

Caution

Resin washers come with the product attached to the screws. Check if these are not missing during transportation, and fix them firmly.

- Without the washers, it may be difficult to remove the screws when water leakage into the unit occurs.



10 Installation of Rotation Arm Cover

Caution

When installing the cover, pay attention not to hit or pinch other parts.

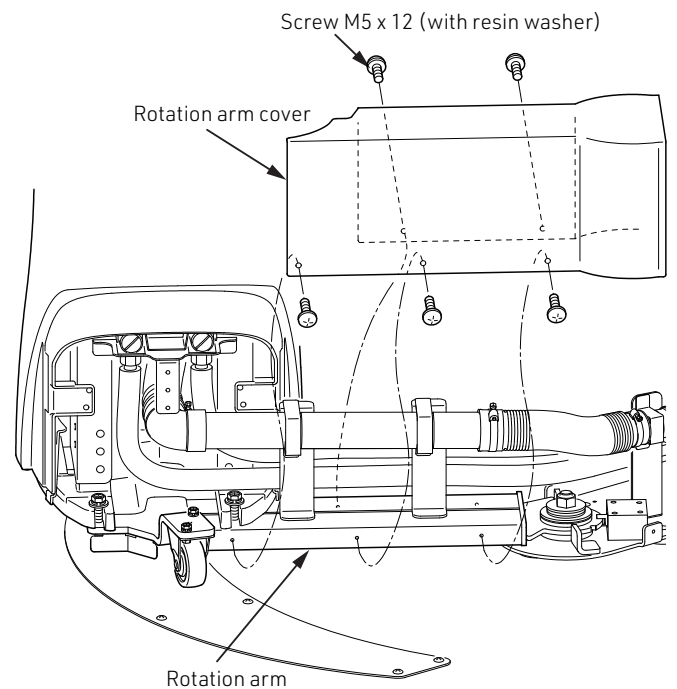
- Failure to follow this instruction may cause scratches or product malfunction.

- (1) Install the rotation arm cover to rotation arm.
- (2) Secure the rotation arm cover by 5 pcs. of screws (M5 x 12, with resin washer). (The screws that were removed when removing the rotation arm cover.)

Caution

Resin washers come with the product attached to the screws. Check if these are not missing during transportation, and fix them firmly.

- Without the washers, it may be difficult to remove the screws when water leakage into the unit occurs.



11 Installation of Maintenance Cover

⚠ Caution

When installing the cover, pay attention not to hit or pinch other parts. Failure to follow this instruction may cause scratches or product malfunction.

- (1) Install the maintenance cover to the main unit cover.
- (2) Secure the maintenance cover with an Knurled thumb screw (M5 x 15 with gasket).

Note

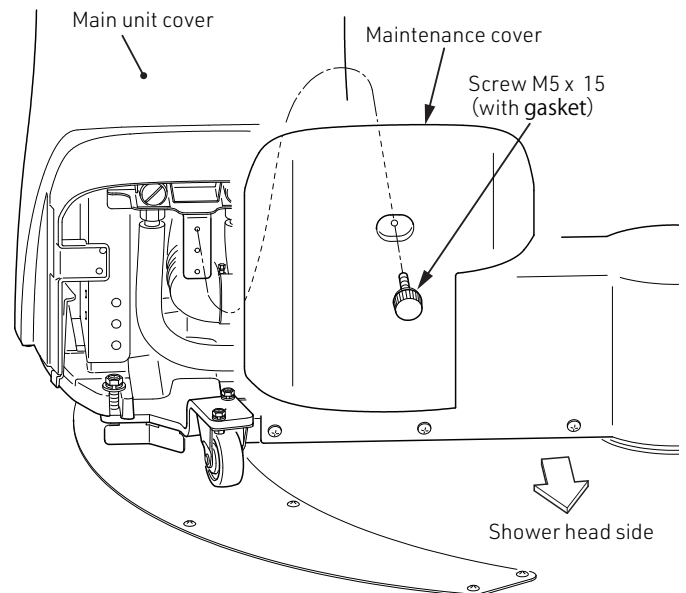
*The Knurled thumb screws are held down the main body with the maintenance cover. (see page 11 and 15)

⚠ Caution

- Gasket is supplied with the screw, so check the part is not missing and fix it properly.
- Without the washers, it may be difficult to remove the screws when water leakage into the unit occurs.
- When attaching the Knurled thumb screw, do not use any tools, but attach it by hand.
- In the case of using tools, resin part may get broken.

Note

*Before attaching the cover, check there is no scratches or dirt on the cover. If any problem is found, contact the nearest dealer or Takara Belmont directly.



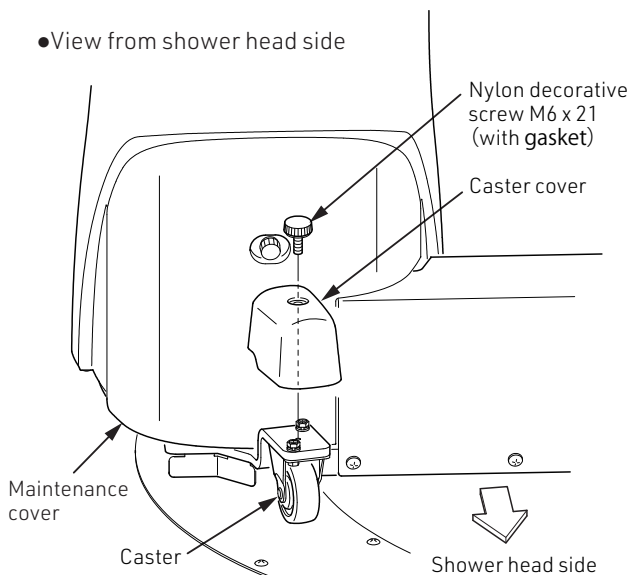
12 Installation of Caster Cover

- (1) Attach the caster cover on the rotation arm caster (2 locations).
- (2) Secure each caster cover with an Knurled thumb screw (M6 x 21, with gasket).

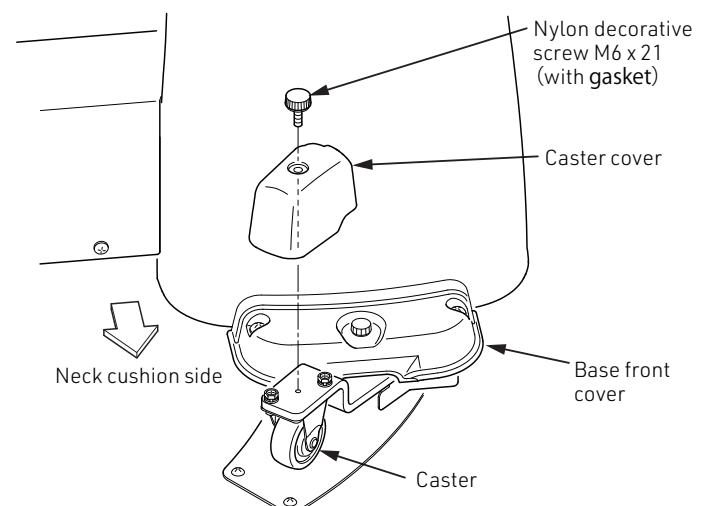
⚠ Caution

- Gasket is attached to screw, so check that the part is not missing during transportation. And fix it properly.
- Without the washers, it may be difficult to remove the screws when water leakage into the unit occurs.
- When securing the screw, do not use any tools, but attach it by hand.
- In the case of using tools, resin part may get broken.

•View from shower head side



•View from neck cushion side



⚠ Caution

When attaching the cover, pay attention not to hit or pinch other parts. Failure to follow this instruction may cause scratches or product malfunction.

- (1) Attach the plumbing cover to fixing base.
- (2) Secure the plumbing cover with Nylon decorative screws (M5 x 15).

Note

*Number of the screws to be used depends on the types of plumbing.

- Without cabinet 4 pcs.
- With cabinet 2 pcs.

Note

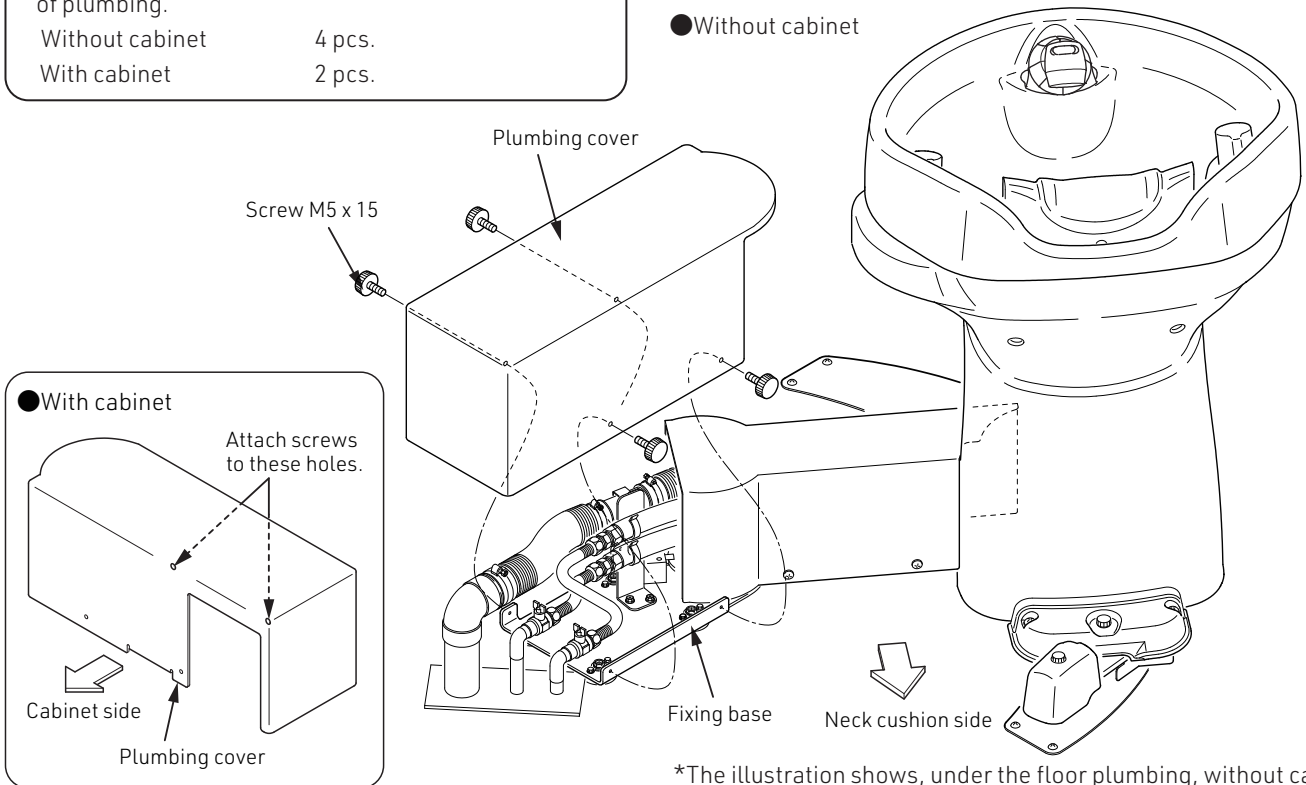
*Before attaching the cover, check if there is no scratches or dirt is found on the cover. If any problem found, contact the nearest dealer or Takara Belmont directly.

⚠ Caution

When fixing the Knurled thumb screws, do not use tools, but fix it by hand.

- If using the tools, it may cause breakage of the resin parts.

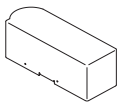
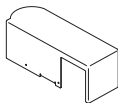
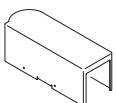
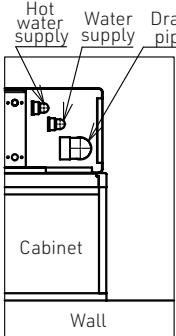
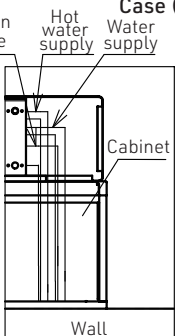
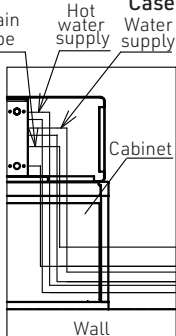
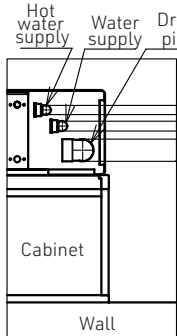
● Without cabinet



*The illustration shows, under the floor plumbing, without cabinet.

Note

Using the proper plumbing cover according to each type of plumbing. Install the plumbing pipe according to the following plumbing types.

<Under the floor plumbing> 	<Wall mounted plumbing> 	<Above the floor plumbing> 	
Under floor plumbing	Wall mounted plumbing	Above the floor plumbing from the wall side (Pipes come through the cabinet)	Above the floor plumbing (Pipes does not come through cabinet.)
	<p>Case (1)</p> 	<p>Case (2)</p> 	

After Installation

- (1) Remove the air mattress attached to the basin and the film tape sealed on the basin cover.
- (2) Inspect the following points.

Caution

Be sure to execute the inspection without fail to prevent accidents during operation.

■ Inspection items

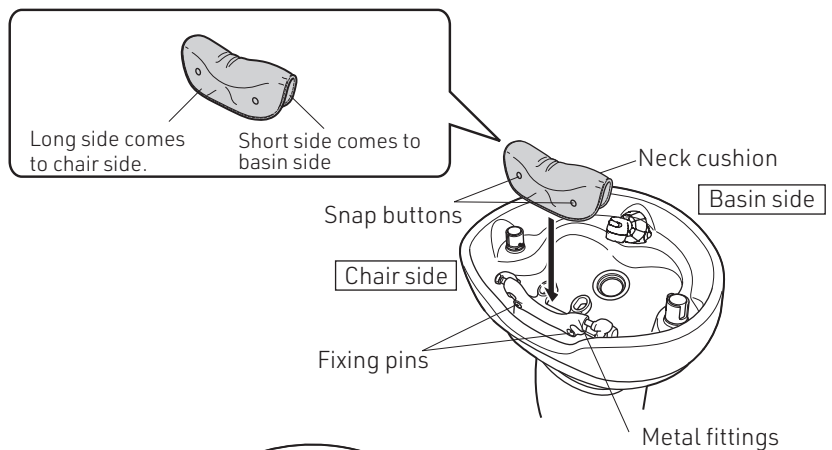
- 1) Check that there is no unsecured screws.
- 2) Check that there is no wobble with the product.
If the product wobbles, check the attached bolts again.
- 3) Check that there are no cracks or contamination of the basin.
- 4) Check that there are no abnormal conditions such as scratches on the external appearance.
- 5) Check that there are no water leakage on the floor.
- 6) When sliding the basin unit, it does not contact with cover, etc., or no abnormal sounds are heard.

Installation of Neck Cushion

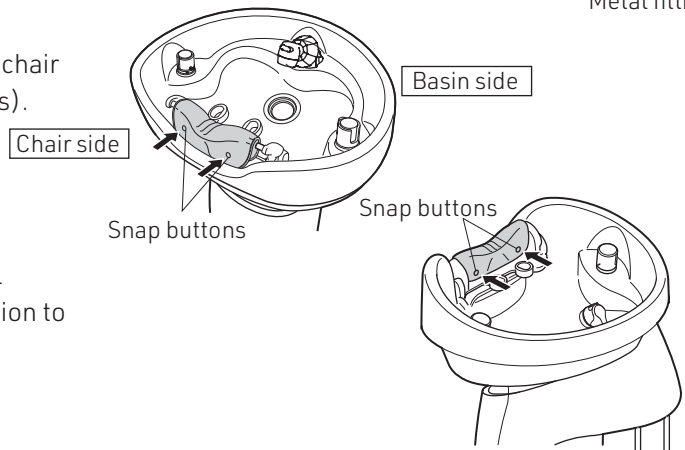
<YUME Basin: for back wash>

■ Attach the neck cushion

- (1) As shown in the illustration, check the proper direction of the neck cushion and fit it to the fittings. (Pay attention to the proper direction.)



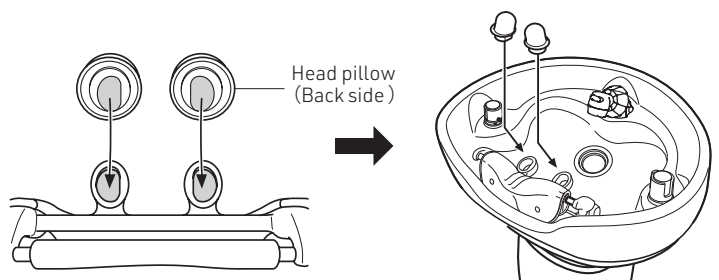
- (2) Secure the snap buttons of neck cushion on the chair side to the fixing pins of metal fittings (2 locations).
*Be careful not to lose them.



- (3) While shaping the neck cushion along the metal fittings, secure the snap buttons of the neck cushion to the fixing pins on the basin side.

■ Attach the head pillows

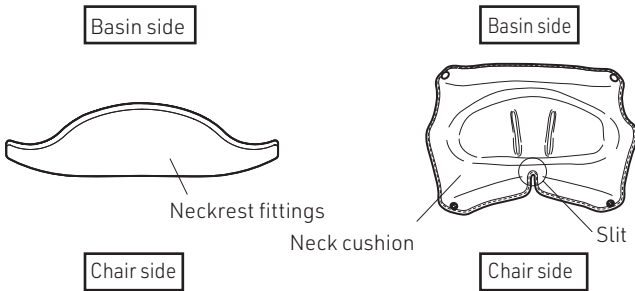
- (1) As shown in the illustrations, check the proper direction of the head pillows and insert them into the metal fittings.



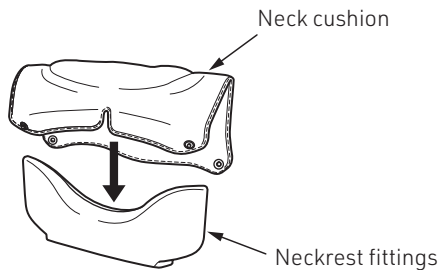
<Side Basin: for side wash>

■ Attach the neck cushion

(1) Check the proper direction of the neck cushion and the neckrest fittings.

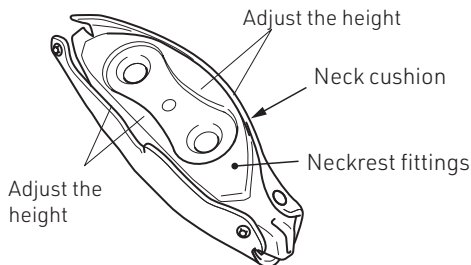


(2) Hold the neck cushion, and fit it to the center of neckrest fittings aligning with the center of neck cushion.



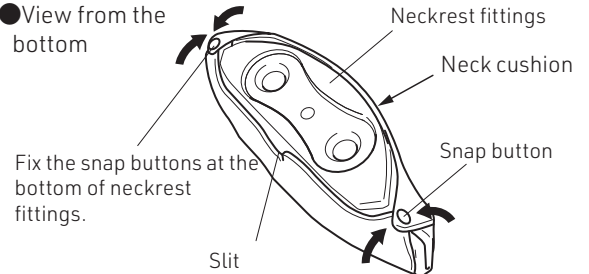
(3) Adjust the height of neckrest fittings and right and left edges of neck cushion (both sides).

● View from the bottom



(4) While pulling the neck cushion, secure the snap buttons (2 locations). As shown in the below illustration, secure the snap buttons at the bottom of neckrest fittings.

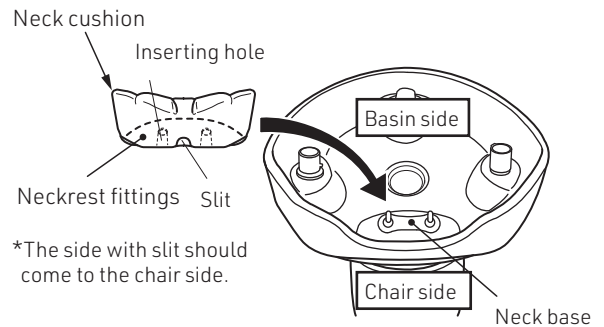
● View from the bottom



(5) Insert and secure the neckrest fittings to the neck base.

Important

Pay attention to the proper direction of neckrest fittings. The surface of neck cushion with slit to be faced to the chair side.



*The side with slit should come to the chair side.

⚠ Caution

If the neck cushion cannot attach smoothly, do not apply excessive force to insert it, but conduct the following inspections. Failure to follow this instruction may result in breakage of the neck base or injury to the client.

- Check proper direction of the neckrest fittings.
- When the neck cushion is loose, check the proper direction of the neck cushion attached to neckrest fittings.
- If the holes of the neckrest fittings are clogged with dust, etc., use them after cleaning the holes.

If above is not applicable, and the reason of trouble is not found out, contact the nearest dealer or Takara Belmont directly.

TAKARA BELMONT
 TAKARA BELMONT CORPORATION
 1-1, 2-Chome, Higashi-shinsaibashi, Chuo-ku, Osaka, Japan
 TEL : +81-6-6213-5945 FAX : +81-6-6212-3680
 Printed in Japan