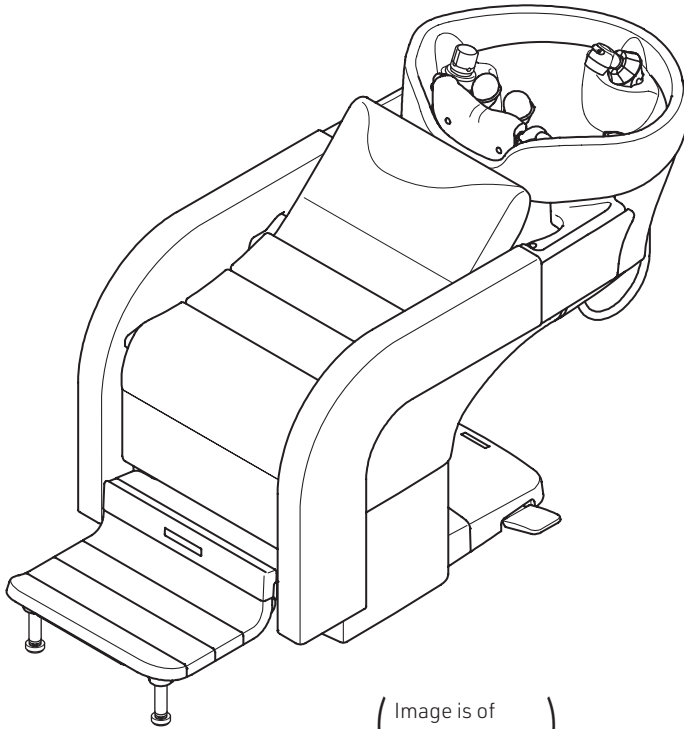


# "YUME NAGOMI" Installation Instruction

## ■ YUME NAGOMI

- AY-YMIXILGL1 YUME NAGOMI/Ltype/GL1(WHITE)
- GL2 YUME NAGOMI/Ltype/GL2(BLACK)
- GL3 YUME NAGOMI/Ltype/GL3(DARK BROWN)
- GL4 YUME NAGOMI/Ltype/GL4(MAROON)
- AY-YMIXIHGL1 YUME NAGOMI/Htype/GL1(BLACK)
- GL2 YUME NAGOMI/Htype/GL2(DARK BROWN)
- GL3 YUME NAGOMI/Htype/GL3(WHITE)
- GL4 YUME NAGOMI/Htype/GL4(MAROON)



( Image is of  
AY-YMIXIHGL\* )

### Contents

Before installation	2
Usage conditions	3
Content of packaging	4
Carrying the main body	5
1.Installation of Basin Unit	7
2.Piping	8
3.Installing the Footrest	10
4.Attaching the Seat Part	12
5.Procedure for swapping the reclining pedal from left to right.	13
6.Attaching the External Covers	14
After installation	15
Dimensions	16
Unit fixing position and plumbing layout	17
MEMO	18

#### To the installer

- The instructions should be thoroughly read and understood before installation to ensure that YUME NAGOMI is installed correctly.
- After installation, give these instructions to the customer.

#### To the customers

- Customers must ask professional to install YUME NAGOMI.
- Customers must not install YUME NAGOMI by themselves.
- Customers must store these instructions in a safe place so as not to lose them.

\* The actual shape of YUME NAGOMI and the images and dimensions listed in these instructions may be modified and are subject to change without notice.

- The precautions listed here are to ensure that YUME NAGOMI can be installed safely, and to prevent any danger or risk to the person installing YUME NAGOMI or those around them.All of these precautions are important for safety. Takara Belmont is not responsible for any damage or risk to the person installing YUME NAGOMI or those around them due to accidents if YUME NAGOMI is installed without adhering to the precautions.

### Caution

If YUME NAGOMI is installed after ignoring this symbol, "there is the risk of light or moderate injury or physical damage".

Note : Plumbing should be performed by a qualified technician and should meet all national and local plumbing codes and ordinances. It is the responsibility of purchaser and/or plumber to conform to national and local codes and ordinances. Takara Belmont does not take any responsibility or liability for plumbing and installation.

# Before installation

## ■ Installation of pipes

The following are important points to adhere during the installation of pipes.  
Read through the details carefully and ensure that the pipes are installed correctly.

○When installing this product, ensure that installation of pipes adheres to the instructions outlined in "Precautions during installation of pipes". Installing pipes without reading through the precautions will mean water may not mix properly, and a set temperature will not be achieved.

○This product is designed for indoor installation. Always install this product indoors.

## ■ Precautions during installation of pipes

○Do not use pipes made of materials that may introduce rust for the water supply pipe.

In general, VP pipes or other materials specified by regulations in that particular region, are recommended for installation.

○In general, Type L deoxidized copper pipes are recommended for hot water pipes.

○In general, the same diameter and same pressure is recommended for hot water pipes and water supply pipes.

○Always use a reamer to deburr the ends of cut pipes.

○Avoid using inverted U-shaped pipes (siphon) as these can cause air to become trapped.

○Always connect hot water pipes and water supply pipes after removing all contaminants such as dirt, sand and oil as these can cause problems.

○After connecting the pipes and testing water flow, clean the filter and shower head.

○Ensure that the drain pipe is installed at a gradient of 1/50 or more for a diameter of  $\phi 75$  or less, or 1/100 or more for a diameter of  $\phi 75$  or more.

○Do not connect the hot water pipes and water supply pipes in reverse.

Connecting pipes in reverse will mean the temperature of water cannot be controlled properly by the water taps, which can cause problems including burns.

○Ensure that the hot water pipes from water boilers are only run over a short distance so as to minimize resistance.

Longer pipes can cause fluctuations in temperature and poor hot water delivery.

○Always wrap pipes with lagging material after installation is complete.

○Water boiler pipes

- In general, the same diameter and same pressure is recommended for main hot water pipes and main water supply pipes.

- Ask professional to install water boiler.

○Equipment comes with hair catchers installed.

○Avoid the anchor positions when installing the pipe risers.

## ■ Request measures to prevent water leakage under the floor and downstairs

Be sure to take the necessary precautions to prepare for and prevent possible water leaks.

○Use waterproof flooring materials.

○If the floor has an opening, cover the opening when completing the interior finishing (waterproofing).

○Install all pipe gaskets.

## ■ Floor surface

- Ensure that the material or finishing of the floor surface is waterproof or has a waterproof coating applied.
- Always ensure that the floor surface is horizontally level.
- Ensure that the floor surface is smooth and free from bumps around the attachment areas.
- Pipe risers

[H type]

Hot water / water supply	Rc 1/2"; pipe risers from floor; rise dimensions: hot water 140 mm; water 140 mm
Drainage	VU40/VP40; pipe risers from floor; rise dimensions: 240 mm

[L type]

Hot water / water supply	Rc 1/2"; pipe risers from floor; rise dimensions: hot water 60 mm; water 60 mm
Drainage	VU40/VP40; pipe risers from floor; rise dimensions: 160 mm

- If the floor surface is tiled, cracks may occur when fastening the bolts during installation of the YUME NAGOMI main body. If this looks likely to happen, use the main body attachment diagram and template as a reference and change the material of the attachment area that is in contact with the floor to another such as plywood or mortar.
- The following levels of strength are required for the floor surface.

Wooden floor	Plywood thickness of 30 mm or more (two 15 mm sheets joined together)
Mortar floor	Mortar thickness of 50 mm or more
Special floor (stone finish)	A foundation with levels of strength listed above around the installation areas is required.

- If the floor surface is ceramic tile, marble, cultured marble, mirror-finish stainless steel, or another smooth, flat material, then when the customer sits down, the footrest may not grip the floor and malfunction, and could lead to falls or other problems. If such floor surfaces are used, do not use the footrest as is. Ensure that the "Floor sheet" (material: EVA resin) (sold separately) is used.

## Usage conditions

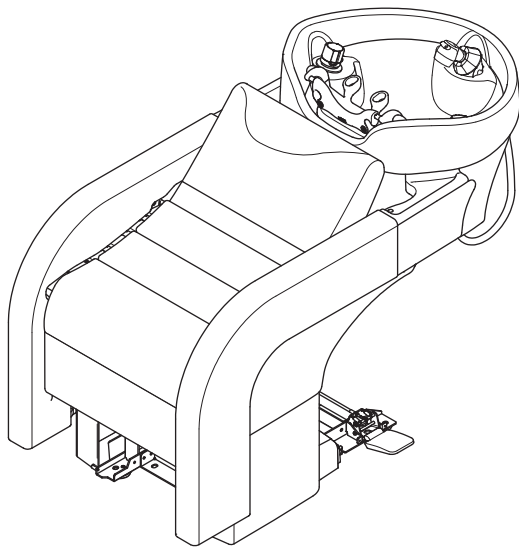
### ■ Hot water supply and water supply conditions

Water used	<ul style="list-style-type: none"> <li>• Public water supply (do not use non-drinkable well water or water that contains rust or sand.)</li> <li>• If the water hardness is 80 ppm or higher, install a water softener to prevent the buildup of scale within the basin body. Aeration may be minimal when using shampoo even if drinkable well water is used, so a water softener should be installed.</li> </ul>
Hot water supply, water supply pressure	<ul style="list-style-type: none"> <li>• Use a pressure between 0.1 and 0.4 MPa (1 to 4 kgf/cm<sup>2</sup>). If multiple YUME NAGOMI are used, ensure that the pressure does not drop below 0.1MPa (1 kgf/cm<sup>2</sup>).</li> <li>• Set the water supply pressure <math>\geq</math> hot water supply pressure. Set the difference between the hot water supply pressure and water supply pressure to within 0.2 MPa (2 kgf/cm<sup>2</sup>).</li> </ul>
Hot water temperature into the product	<ul style="list-style-type: none"> <li>• Set the hot water temperature to 80°C or less.</li> <li>• Set the temperature 10°C or higher than the shower temperature used.</li> </ul>
Water boiler	<ul style="list-style-type: none"> <li>• Do not use steam with the hot water supply.</li> </ul>

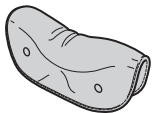
# Content of packaging

## ●Basin Unit

Basin Unit



Neck cushion



Head pillow



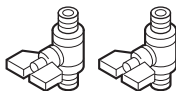
Drain cap



Hair catcher



Water stop valve (2)



Drain hose clamp



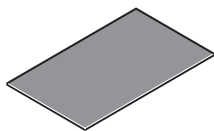
Mohair tape



Drain hose gasket



Pipe gasket

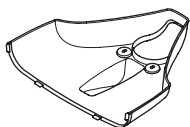


Sponge

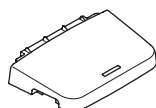


## ●Cover part

Trap cover



Base cover

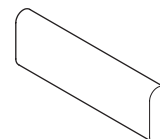


## ●Seat part

Screen sheet

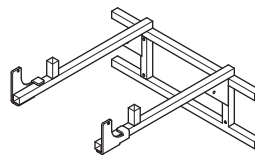


Back support cushion

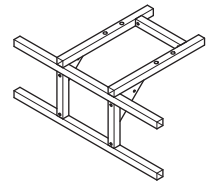


## ●Carriage Jig (OPTION)

Basin side carriage jig

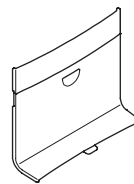


Chair side carriage jig

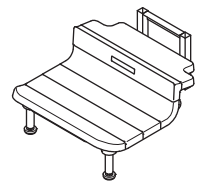


[H type]

Maintenance Cover

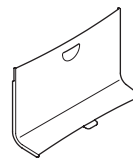


Footrest

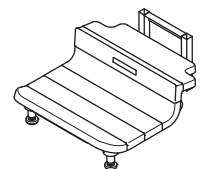


[L type]

Maintenance Cover (small)



Footrest (low)



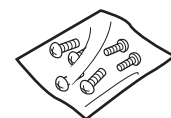
Flexible pipe (2)



(L=200mm)

Screw Set for Cover

M4×10 : Truss-head screw (black).... 6  
 M5 : Knurled thumb screw..... 2  
 M6×15 : Truss-head screw..... 2  
 M6×35 : Truss-head screw..... 2



Installation instructions... 1  
Operating Manual... 1  
Paper template... 1  
YUME SPA Technical Manual  
 (except for China)... 1  
Operation Instruction  
 Manual for Mohair tape ... 1

# Carrying the main body

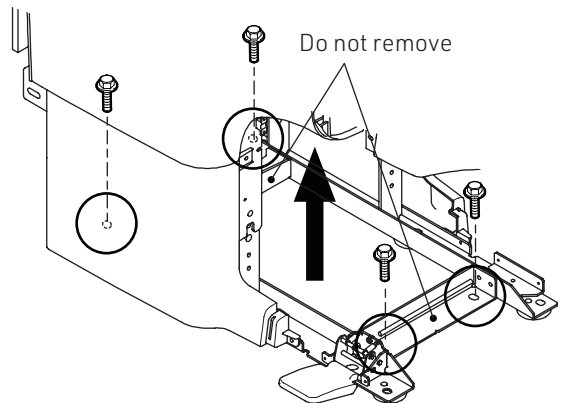
## ■ Carrying the Basin Unit

### 1 Detach the basin unit from the skid.

○ While supporting the basin with hands, remove the hexagonal head bolts (Phillips head) (M8 x 50) from the unit base (four locations).

#### **Caution**

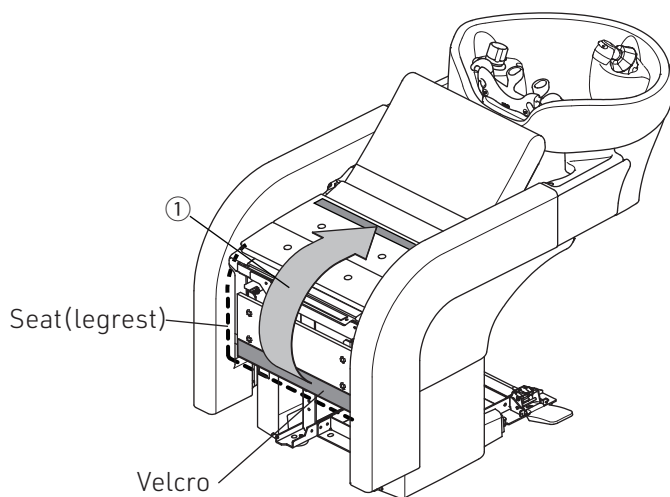
Always have at least two people to carry the main body and hold the basin when remove the bolt. Otherwise the basin is likely to fall.



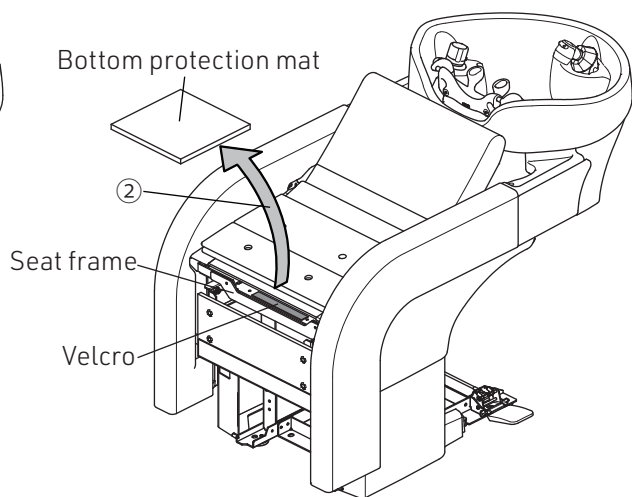
### 2 Attach the carriage jig.

<Chair side carriage jig>

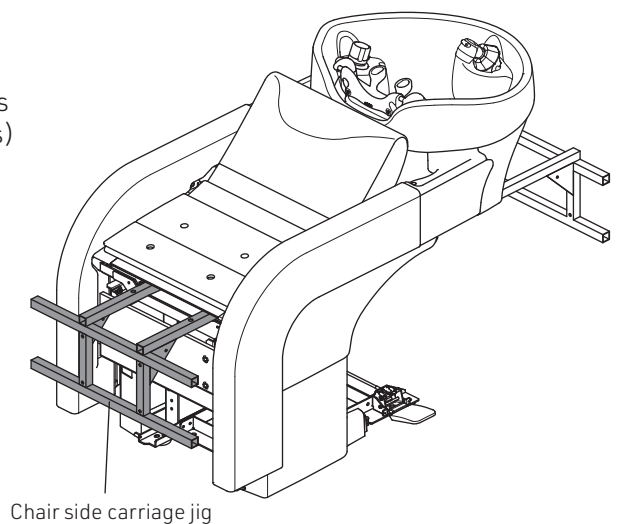
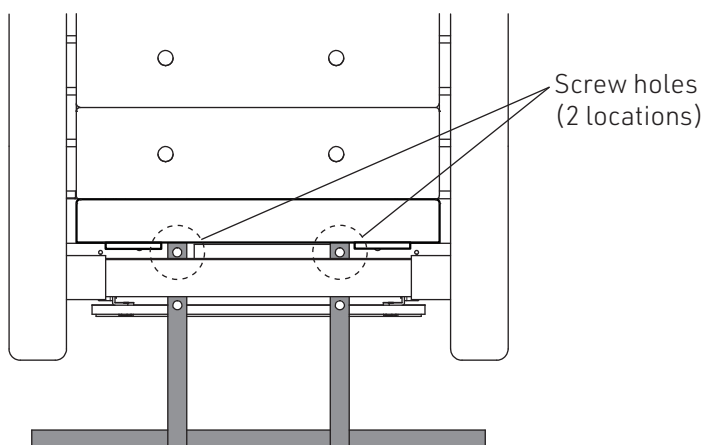
① Turn over the legrest of the seat.



② Remove the front of the bottom protection mat from the seat frame to see the screw holes.

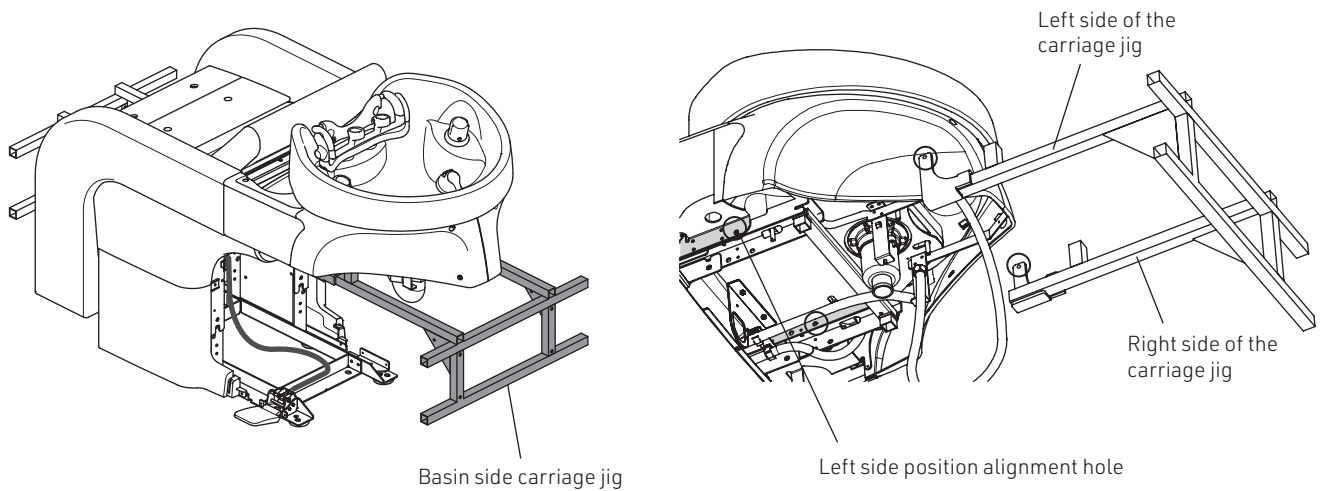


③ Attach the carriage jig to the seat frame with bolts (2 locations)



### <Basin side carriage jig>

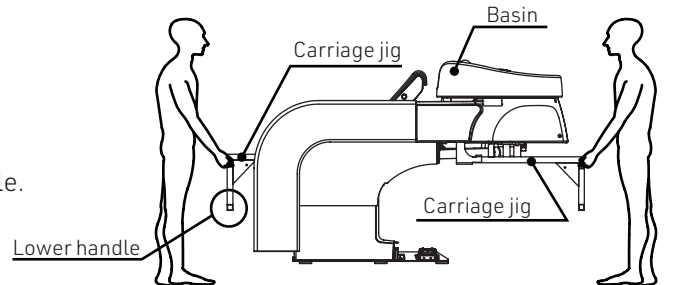
- ① Temporarily remove the bolt on the right side of the carriage jig.
- ② Insert the bolt for the left side of the carriage jig into the position alignment hole.
- ③ Attach the right side of the carriage jig to the frame using the removed bolt.



### 3 Precaution for carrying the basin unit

○ When carrying the basin unit, be sure to hold it by the carriage jig. Do not hold it by the mixer pipe located at the side of the basin.

※ When carrying on stairs, please hold it at the lower handle.



#### **⚠ Caution**

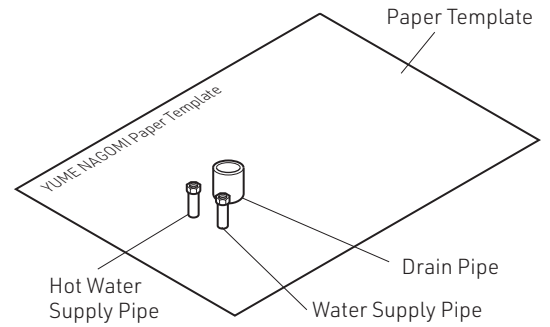
- Since the basin unit tends to tumble, be sure to carry the basin while maintaining balance.
- Do not carry the basin unit with the seat parts on it.
- Never hold the unit at the basin (ceramic). Failure to follow this instructions may result in breakage of the basin.
- Do not hold the main body cover. Doing so may cause damage to the main body cover.
- Take care when handling the basin as it is heavy and fragile.
- Do not drag the unit. The foot part of the basin is made of steel, so dragging it may damage the floor surface or crack the basin itself.
- The basin may become damaged if scratched by metallic objects such as watches or belts. Remove all metallic objects such as watches when carrying the basin.
- Take extra care to ensure not to damage the covers.
- Do not touch the basin body pipes. Doing so may cause water leaks.
- The basin is unstable when it is not fixed to the floor.

# 1 Installation of Basin Unit

## 1 Marking the bolt anchor points

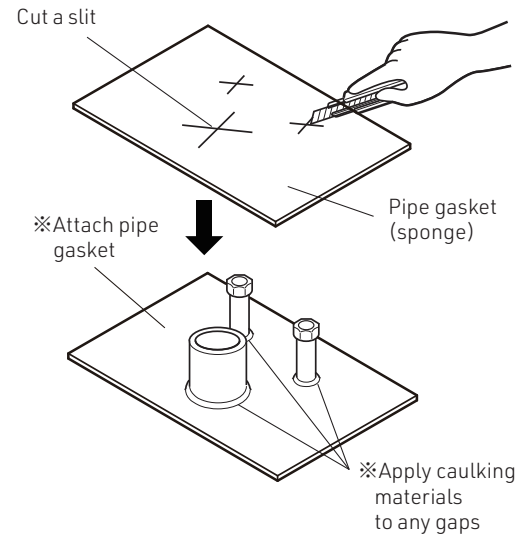
- (1) Set the dedicated paper template on the floor, and align it with the water, hot water, and drainage pipe risers.
- (2) Mark the bolt anchor position of the basin unit.
- (3) Drill holes at the bolt anchor position of the basin unit.
- (4) Remove the paper template.

- Request measures to prevent water leakage under the floor and downstairs. Be sure to take the necessary precautions to prepare for and prevent possible water leaks.
  - Use waterproof flooring materials.
  - If the floor has an opening, cover the opening when completing the interior finishing (waterproofing).
  - Install all pipe gaskets.



## 2 Attach pipe gasket

- (1) Cut a slit in the pipe gasket to suit the position of the pipes to be installed.
- (2) Peel away the sheet from the adhesive surface of the pipe gasket and stick to the floor surface.
- (3) Cut out a circle around the slit cut in the pipe gasket to suit the pipe surface, and fill in any gaps with caulking materials.

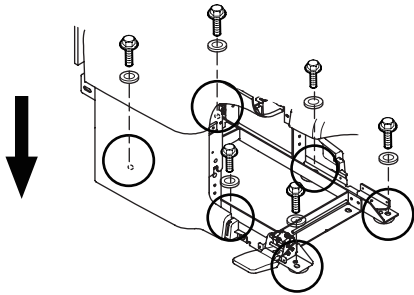


### ⚠ Caution

- Always attach pipe gasket and apply caulking materials to the areas around the pipes so that there are no gaps, in order to prevent condensation within YUME NAGOMI or water seeping on the floor in the event of water leaks.
- If pipe gasket is not used, condensation may cause water to pool on the floor, structural parts may start degrading and malfunctions may occur.

## 3 Fixing the Basin Unit on the Floor

Align the basin unit with the marked positions on the floor and anchor the unit with the bolts (6 locations).



Bolts to be used (supplied with the shampoo unit):

- Plywood Floor  
Hexagonal head tapping bolt + flat washer (8 mm x 65)
- Concrete Floor  
Anchor bolt + plain washer (M8 x 70, Pilot drill hole 8.5 mm)  
(Use the wrench with the opposite side distance of 12 mm.)

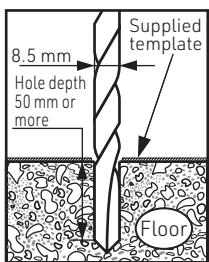
### ⚠ Caution

Be sure to use a plain washer when securing the bolt.

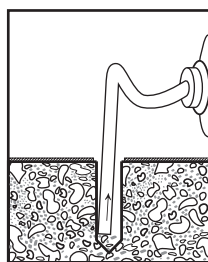
### ⚠ Caution

The strength of the anchor bolts will be reduced if they are hammered into the hole while touching the bottom. Open up a gap.

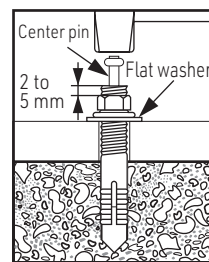
## ● Installation process for anchor bolts



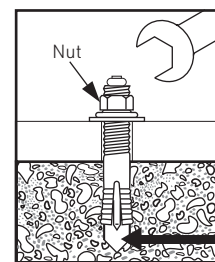
- (1) Drill open a hole of the specified diameter and depth.



- (2) Remove the dust from each anchor hole by cleaning with a vacuum cleaner.



- (3) Insert the anchor bolt and tap it with a hammer until the center pin makes contact with the bolt head.



- (4) Adjust the fastening strength of the nut using a wrench.



## 2 Piping

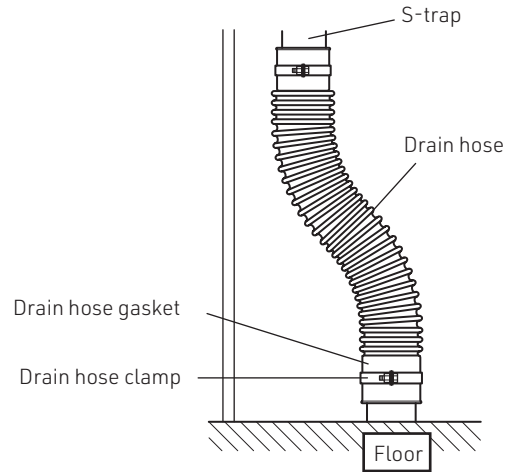
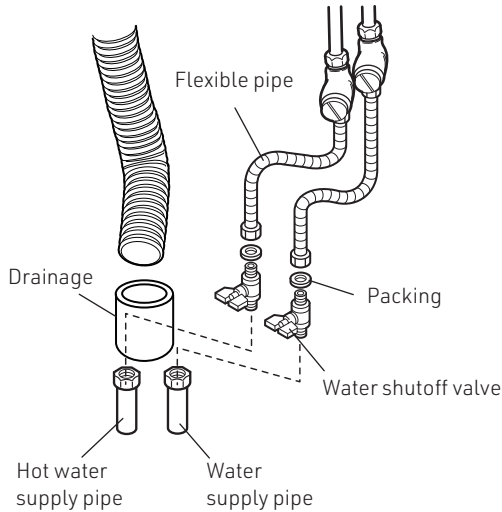
### 1 Installing the Flexible Pipe

Before connecting the pipes, remove any waste from the pipes, such as dust, dirt, sand, or oil.

Connect the water stop valve to the hot water/water supply pipes.

Then, apply the furnished gasket to the flexible pipe and connect the pipe to the water stop valve.

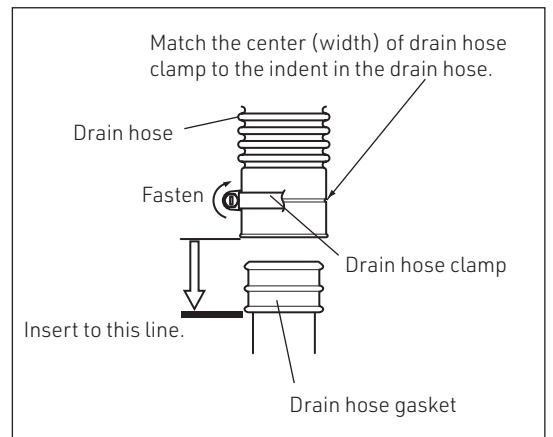
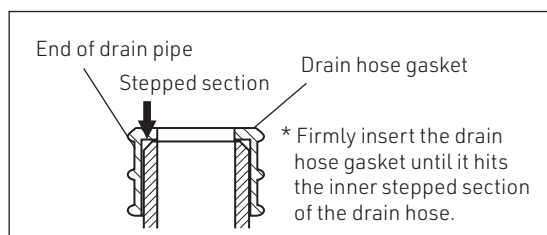
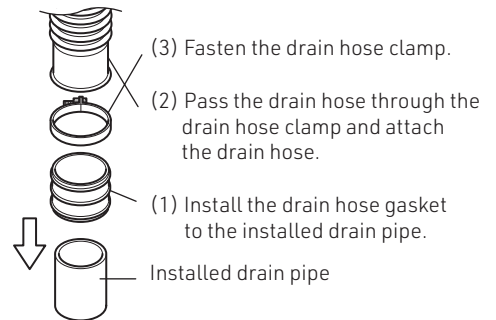
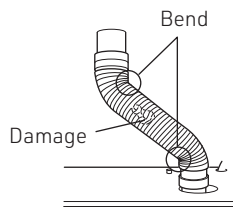
- Be sure to use the furnished gasket. Failure to use the gasket may result in water leaks.
- Be careful to avoid connecting the pipes for hot water and water adversely.



### 2 Attach drain hose to installed drain pipe

#### ⚠ Caution

- Check that the drain hose is not bent or damaged. This may affect water flow or damage the drain hose.
- Check that the drain hose clamp is firmly fastened. If it is not fastened, water may leak or the drain hose may come loose.
- Check of no double trap. An Double trap can adversely affect the flow of drainage water. If the drain pipe layout causes an Double trap to be formed, check the installation position of the basin body and piping dimensions, and make the necessary adjustments.





### 3 Test water flow

#### Caution

Always test the water flow to prevent accidents during use.

- \* Test the water flow and inspect the following items. The hot water may be slightly tainted at the start of the water flow test, however this does not indicate any problem.
- \* For safety reasons, the product's thermostat is designed so that the hot water does not exceed 53°C.  
(if the supply pressure is the same, water temperature is 20°C and hot water temperature is 60°C)

- (1) Is there no water leaking from the pipe joints?  
The pipe joints may come loose during transportation, so check the joints within the basin thoroughly.
- (2) Are the hot water supply and water supply pressures at the same, stable pressure?  
If the pressure is not the same, see "How to adjust faulty temperature regulation" below.
- (3) Can temperature be controlled properly?
- (4) Check that the shower outlet flow is sufficient, by the following as a guide for flow rate.

Shower outlet flow rate

Hot water supply pressure, water supply pressure: 0.1MPa each  
Shower outlet temperature: 40°C

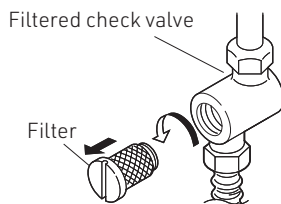
Spa shower head

- (Low splash foaming mode) : Approximately 6.4 L/min
- (Shower mode) : Approximately 9.9 L/min

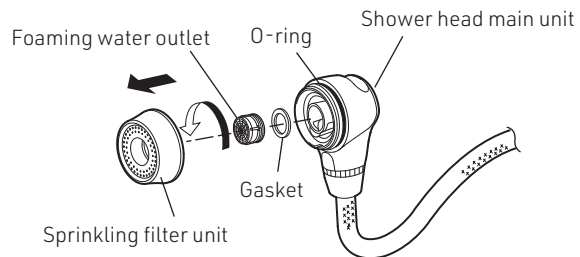
### ● Cleaning

After the hot water becomes clear during the water flow test, always clean the filter (within the check valve) and sprinkling filter unit.  
Failure to do so can result in insufficient flow rate and faulty temperature regulation.

Remove and clean any dirt trapped within the filter.



Remove and clean any dirt trapped within the shower head plate.



## — How to adjust faulty temperature regulation —

#### ○ Contents of defect

- ① Something wrong with hot water (Temperature is unstable)
- ② Hot water (high temperature) does not come out
- ③ Water (low temperature) does not come out

#### ○ Presumed cause

- ① There is difference in the water supply and hot-water supply pressure, or the pressure of hot water supply is higher than the pressure of water supply.  
[ The pressure of water supply  $\geq$  the pressure of hot water supply  
(The difference should be in the range of 0.2Mpa) ]
- ② Pressure of water supply and hot water supply is high  
[ These two should be in the range between 0.1 and 0.4MPa ]

#### ○ How to remedy the defect

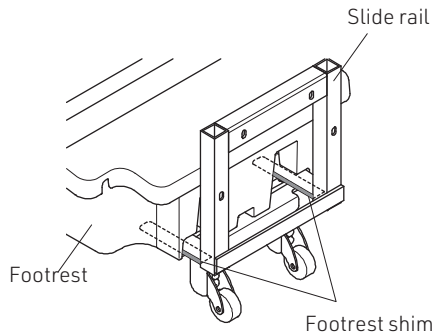
Connect a pressure reducing valve (Optional) on the upper side (mixer side) of the filtered check valve, then adjust the pressure.

(It is recommended that water supply pressure and hot water supply pressure become the same pressure)

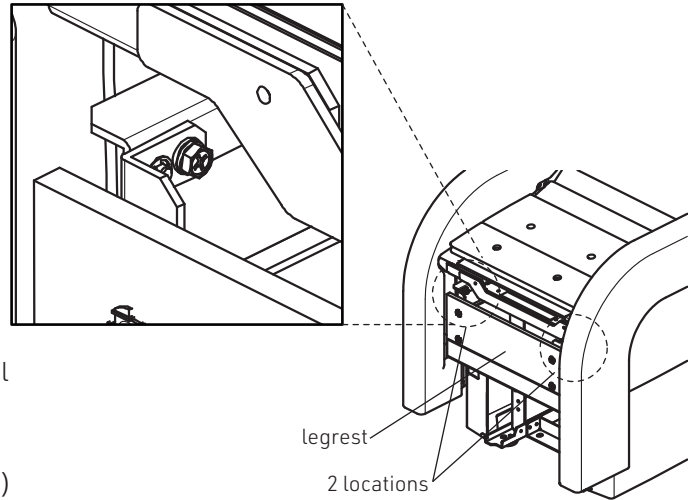
### 3 Installing the Footrest

#### 1 Install the footrest to the basin unit.

- ① Check that the footrest shim is attached with tape to the bottom of the slide rail.



- ② Remove the screws fixing the legrest. (M6 x 15, 2 screws)



- ③ Attach the two locations on the top of the footrest slide rail to the basin unit using truss-head screws. (M6 x 15, 2 screws)

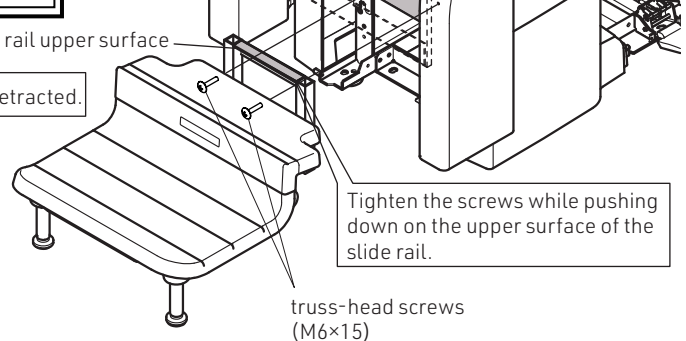
※Assemble while the footrest is retracted. (packing state)  
Tighten the screws while pushing down on the upper surface of the slide rail.

#### ⚠ Caution

If the footrest is installed while it is slid out, this could lead to the footrest rattling, poor sliding operation, and noise. Ensure the footrest is installed while fully retracted.

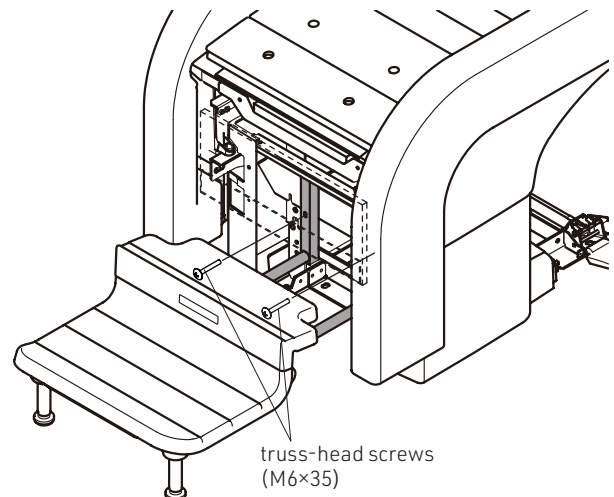
※Assemble while fully retracted.

Slide rail upper surface



- ④ Slide out footrest.

- ⑤ Attach the two locations on the bottom of the footrest slide rail to the basin unit using truss-head screws. (M6 x 35, 2 screws)

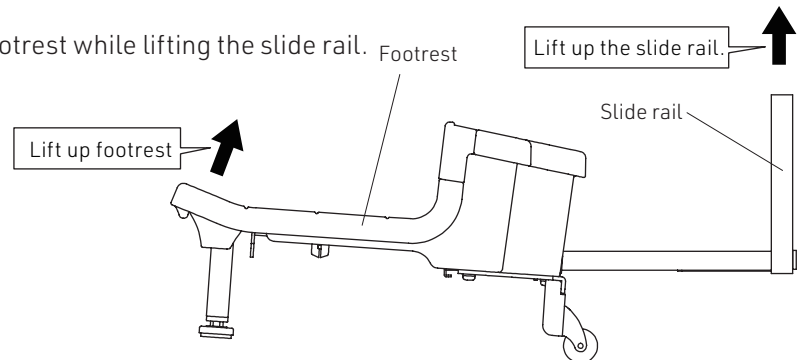


※If, in the procedure on the previous page, the bottom screw positions do not align, use the procedure below.

- ⑥ Leave the slide rail temporarily attached by loosening the truss-head screws on the top of the footrest slide rail.  
(M6 x 15, 2 screws)
- ⑦ Temporarily attach the bottom of the footrest slide rail to the basin unit with the truss-head screws.  
(M6 x 35, 2 screws).

- ⑧ Fully retract the footrest.

Fully retract the footrest by tilting up the footrest while lifting the slide rail.



### Caution

- When retracting the footrest, the footrest shim may catch, and may not go fully in. Check that the footrest is fully against the stopper.
- When sliding the footrest, dragging the adjuster without lifting up the footrest may result in damage to the floor surface. When sliding the footrest, ensure it is lifted up and that the casters are used.
- If the footrest is installed while it is slid out, this could lead to the footrest rattling, poor sliding operation, and noise. Ensure the footrest is installed while fully retracted.

- ⑨ Fully tighten the truss-head screws temporarily attached in ⑥.  
When tightening the screws, do so while pushing down on the upper surface of the slide rail.
- ⑩ Slide out the footrest.
- ⑪ Fully tighten the truss-head screws temporarily attached in ⑦.  
(M6 x 35, 2 screws)

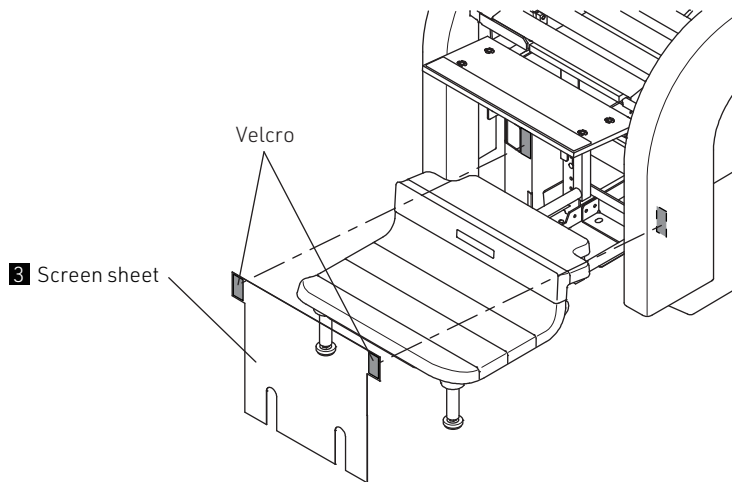
- ⑫ Remove the footrest shim.

### Caution

The footrest shim is a fixture used when installing the footrest. After use, ensure that the footrest shim is removed and stored with this manual. If the footrest shim is lost, then re-installing the footrest after it has been removed for repairs or the like may not be possible.

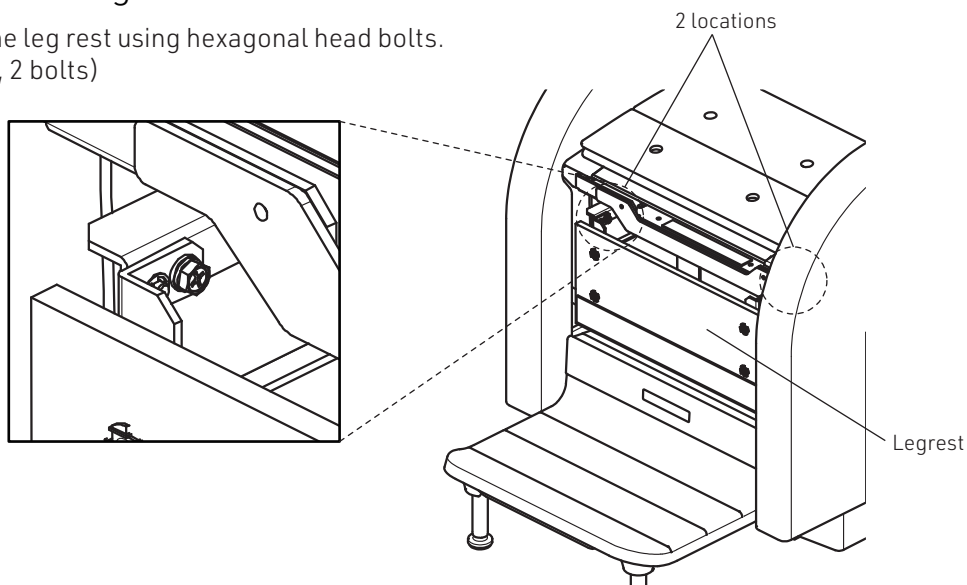
## 4 Attaching the Seat Part

- 1 Attach the screen sheet to the base side cover.



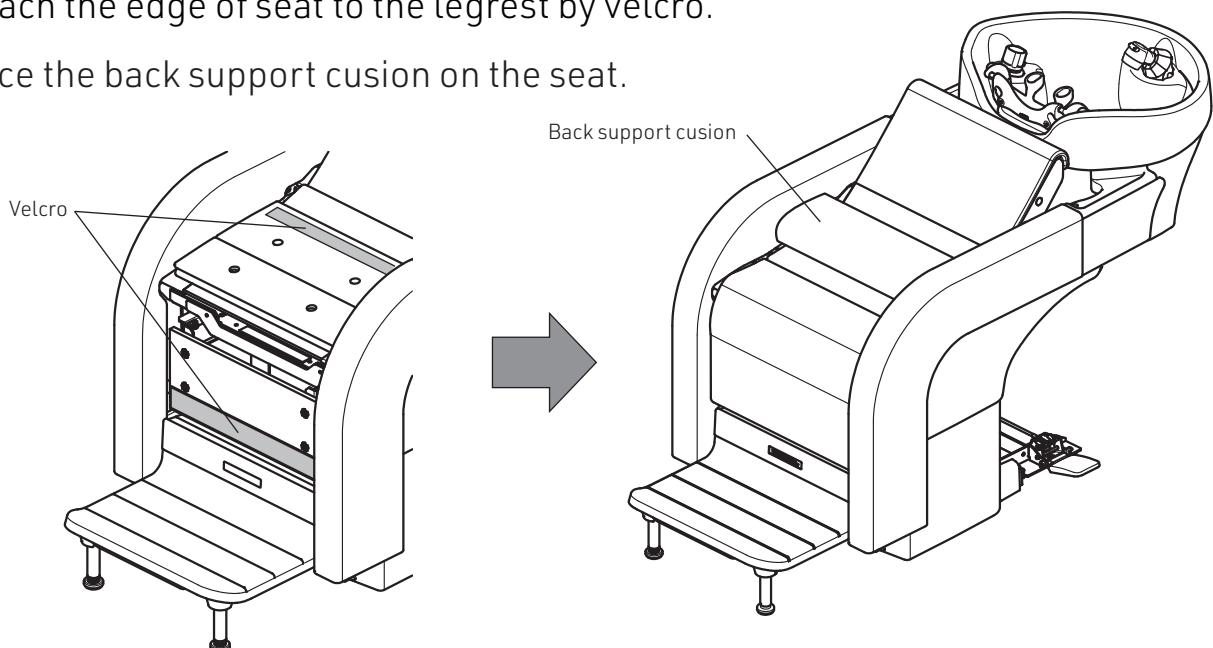
- 2 Attach the legrest.

Attach the leg rest using hexagonal head bolts.  
(M6 x 15, 2 bolts)



- 3 Attach the edge of seat to the legrest by velcro.

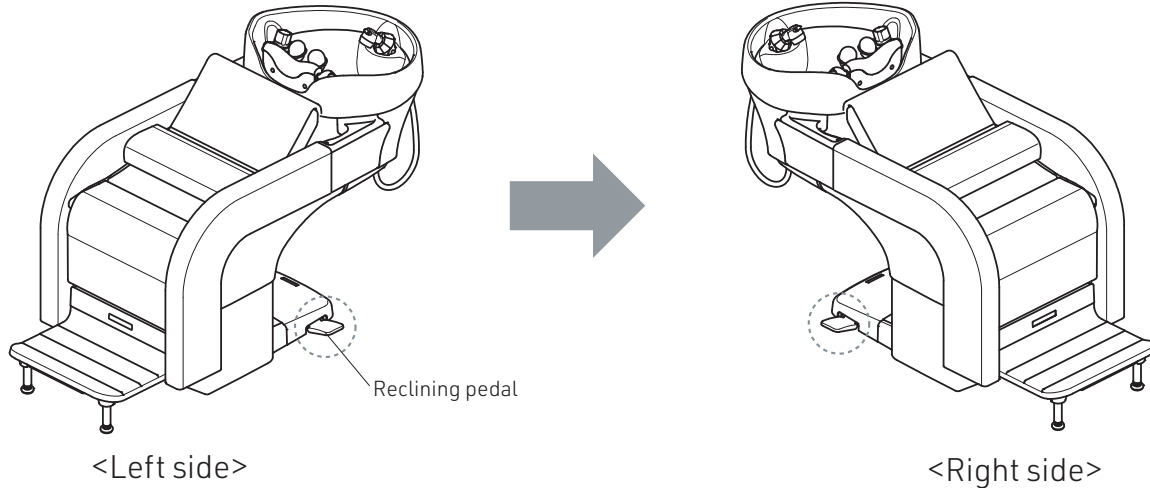
- 4 Place the back support cushion on the seat.



## 5 Procedure for swapping the reclining pedal from left to right.

This product has a reclining pedal on its left side.

Depending on the salon layout, if it is necessary to install the reclining pedal on the right side, then swap the position of the reclining pedal from left to right in accordance with this manual.



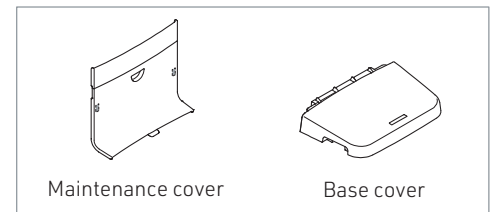
- 1 Remove the maintenance cover and the base cover.

【Base cover: Truss-head screws M4 x 10 (Black) , 6screws】

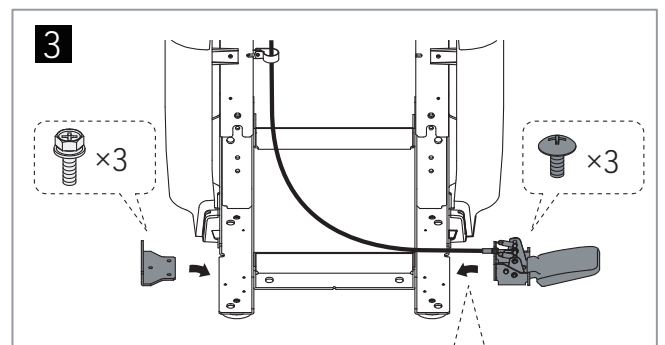
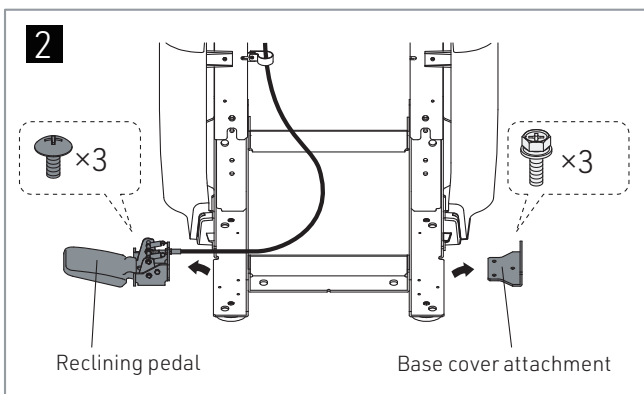
- 2 Remove the reclining pedal and the base cover attachment.

【Reclining pedal: Truss-head screws M5 x 12 (Black) , 3screws】

【Base cover attachment: Hexagonal head bolt M5 x 14 , 3screws】

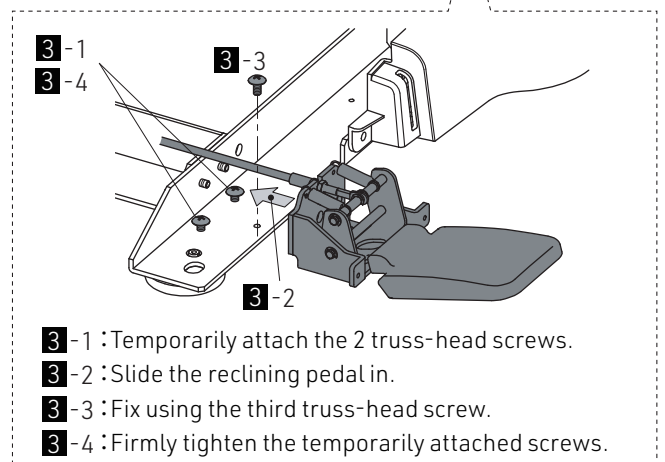


- 3 Swap the reclining pedal and the base cover attachment fitting from left to right.



- 4 Check that pressing the reclining pedal with your foot reclines the backrest, and lifting your foot off the reclining pedal fixes the backrest in place.

- 5 Attach the base cover and maintenance cover.



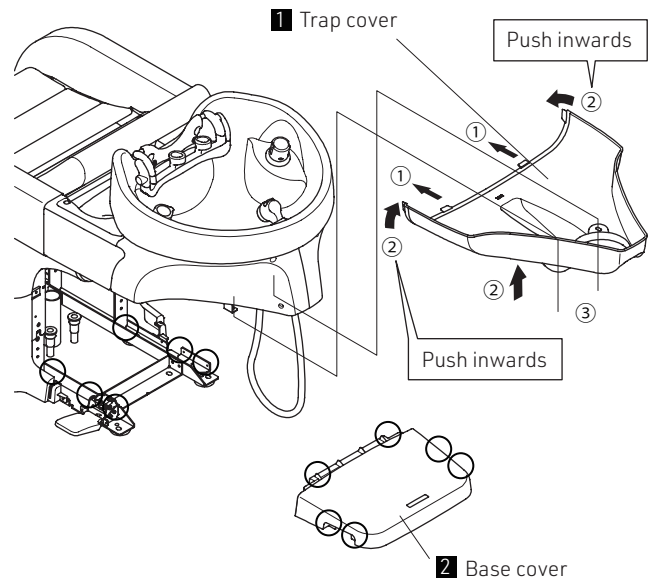
- 3-1 : Temporarily attach the 2 truss-head screws.
- 3-2 : Slide the reclining pedal in.
- 3-3 : Fix using the third truss-head screw.
- 3-4 : Firmly tighten the temporarily attached screws.

## 6 Attaching the External Covers

### 1 Attach the trap cover to the basin unit.

The trap cover is fitted into the screw section at the bottom of the cover bracket under the basin, and can be attached using knurled thumb screw in 2 locations.

- ① Place the trap cover edge tabs on the edge of the frame cover.
- ② Insert the trap cover as if rotating it into place with the tabs in ① as a fulcrum while pushing both edges inwards.
- ③ Position the screw sections so they pass through the trap cover attachment holes, and when the screws emerge from below, fix with knurled thumb screw.

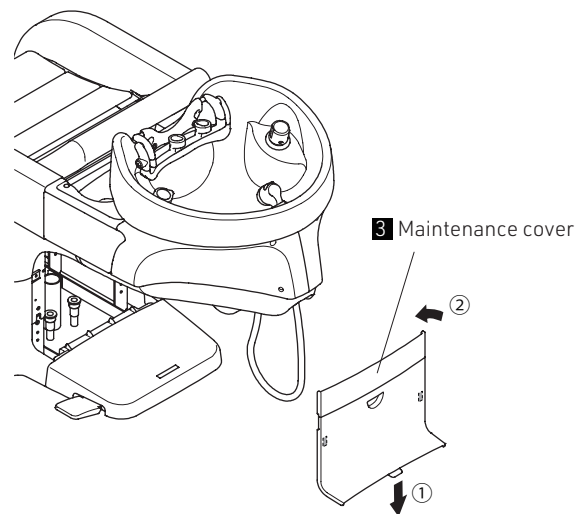


### 2 Attach the base cover to the base using truss-head screws. (M4 x 10, black, 6screws)

### 3 Attach the maintenance cover.

The maintenance cover can be attached using magnets in 2 locations.

- ① Insert the tab at the bottom of the maintenance cover into the base cover.
- ② Attach the maintenance cover as if rotating it into place.



# After installation

## ● Inspection

Inspect the following items.



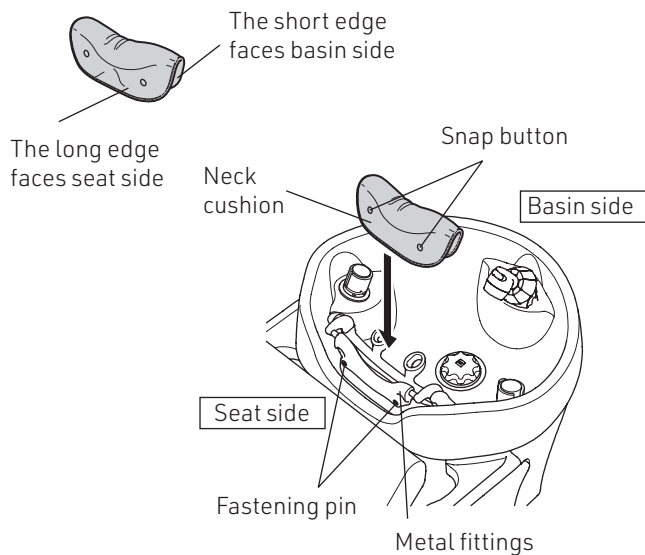
### Caution

Be sure to execute the inspection without fail to prevent accidents during operation.

- (1) Check that there are no missing screws or other parts.
- (2) Check that there are no loose parts on the shampoo unit or the chair. If any part of the shampoo unit or the chair is loose, check the bolts at the joints again.
- (3) Check that there are no cracks or contamination on the basin.
- (4) Check that there are no problems, such as scratches on the external appearance.
- (5) Check that there are no water leaks on the floor.

## ● Attach neck cushion

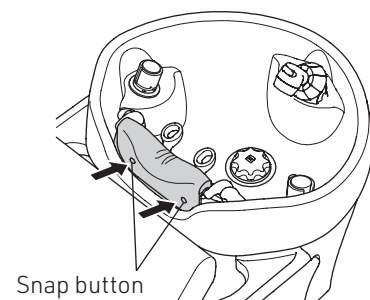
- (1) Set the neck cushion to the metal fittings in the direction as shown in the image.



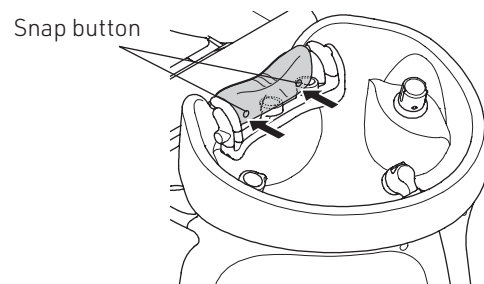
- (2) Attach the seat side snap buttons of the neck cushion to the fastening pins on the metal fittings.



The fastening pins can be removed. Take care not to lose the fastening pins.

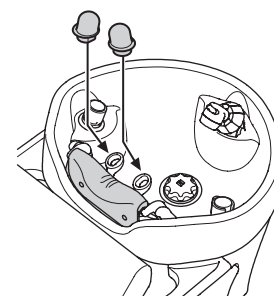
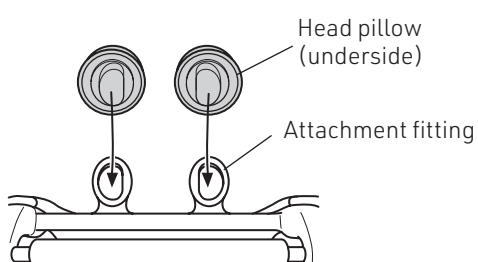


- (3) Adjust the shape of the neck cushion to suit the metal fittings, and attach the basin side snap buttons of the neck cushion to the fastening pins.



## ● Attach head pillow

Insert the head pillow in the direction as shown in the image.





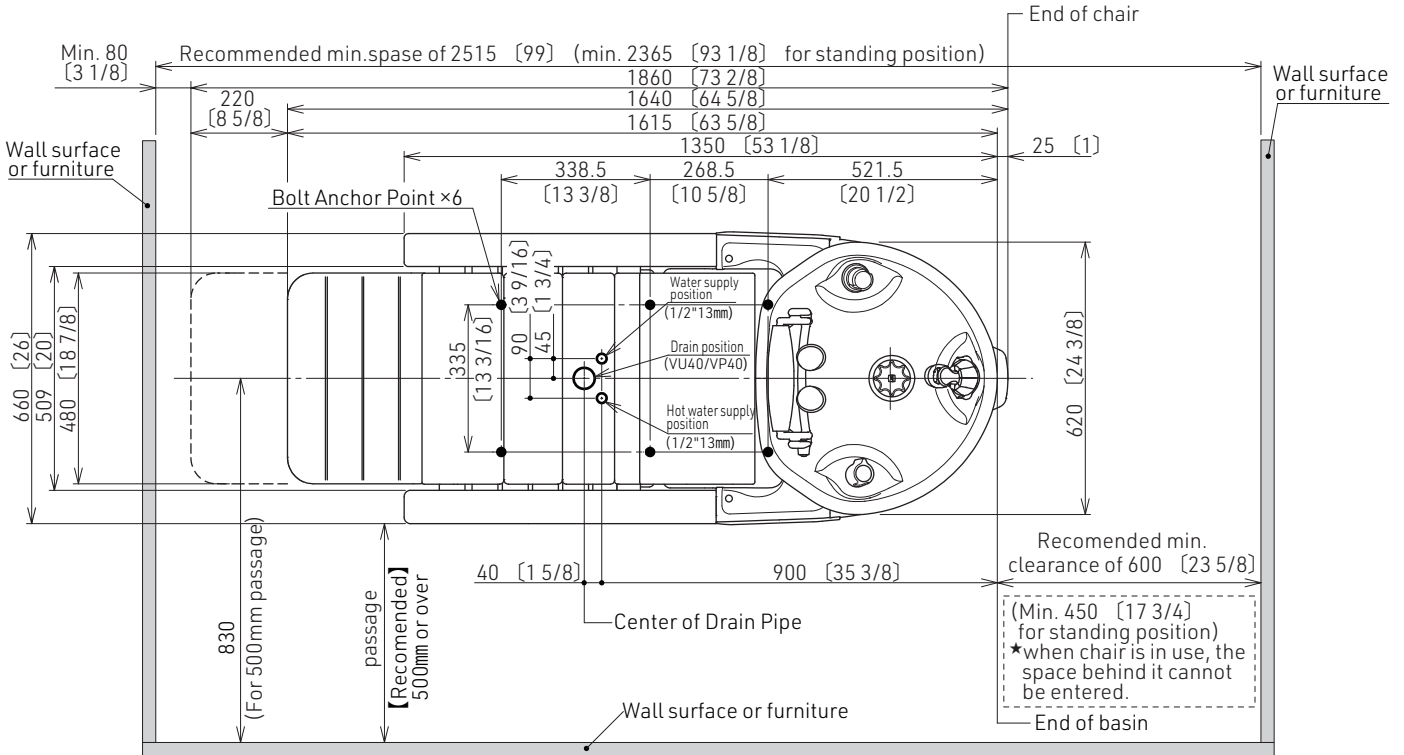
# Dimensions

Outline drawing (Unit:mm [inch])

H:When operated from standing position

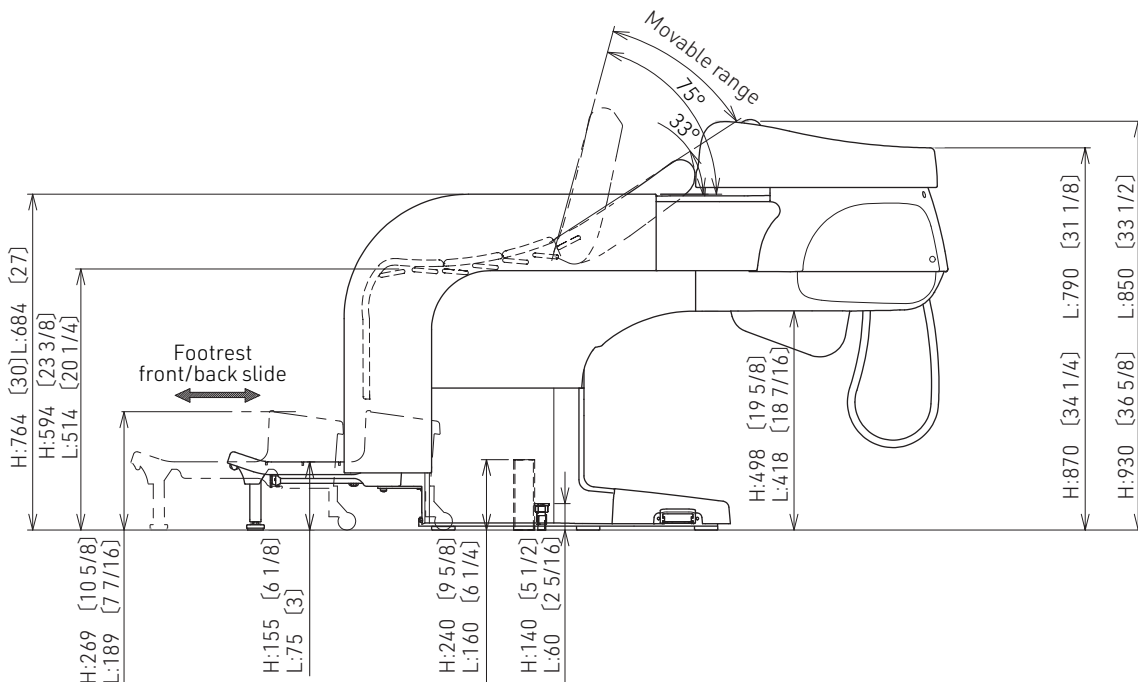
L:When operated from seated position

## Top View



\*Figures shown above are for seating a customer about 170cm in height. When attending a taller customer, please allow sufficient leeway. Basin and seat dimensions may vary from product to product.

## Side View











**TAKARA BELMONT CORPORATION**

1-1, 2-Chome, Higashi-shinsaibashi, Chuo-ku, Osaka, Japan

TEL : +81-6-6213-5945

FAX : +81-6-6212-3680

Printed in Japan