

# BEAUTY CHAIR BASE

# COMPACT HILOX

SP-PBN

## OPERATING INSTRUCTIONS

Thank you for purchasing our product.

Please read through this manual and this note carefully before installing or using.

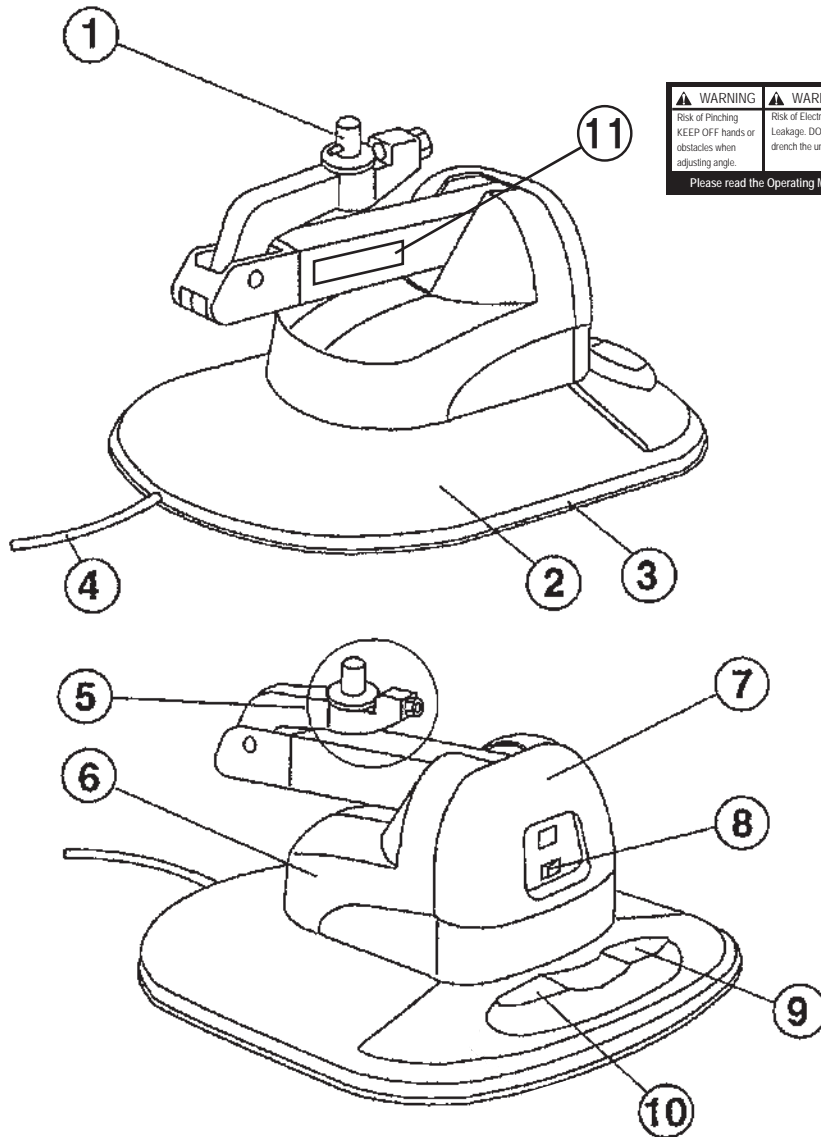
These instructions provide important information for correct usage of the product to avoid personal injuries or property damages against you or your clients.

This product is intended for the exclusive use in hair salon or esthetic salon for their treatment and service, and must be operated or handled by the qualified/professional hairdressers or by their staff under the supervision of hairdressers.

## TABLE OF CONTENTS

1. OVERALL VIEW AND MAJOR PARTS -----	1
2. DIMENSIONS AND SPECIFICATIONS -----	2
3. PREPARATIONS	
(1) CHAIR SETTING POSITION -----	3
(2) UNPACKING -----	3
(3) PREPARATIONS -----	3
(4) SETTING UPPER SECTION -----	4
4. OPERATING INSTRUCTIONS	
(1) MAIN SWITCH -----	4
(2) CONTROLS -----	4
(3) CHAIR ROTATION -----	5
5. CARE AND MAINTENANCE -----	5

# 1. OVERALL VIEW AND MAJOR PARTS



<b>⚠ WARNING</b> Risk of Pinching KEEP OFF hands or obstacles when adjusting angle.	<b>⚠ WARNING</b> Risk of Electric Leakage. DO NOT drench the unit.	<b>⚠ WARNING</b> Disconnect power supply plug when unit is not in use.	<b>⚠ WARNING</b> Risk of Electric Shock and mal- function. DO NOT disassemble, repair or modify.
Please read the Operating Manual carefully for other safety cautions.			

**Fig.1-1 Overall View and Major Parts**

## MAJOR PARTS

- |                       |                    |
|-----------------------|--------------------|
| 1. Rotation Shaft     | 7. Rear Pump Cover |
| 2. Base Plate         | 8. Main Switch     |
| 3. Base Sash          | 9. Up Switch       |
| 4. Power Supply Cable | 10. Down Switch    |
| 5. Rotation Mechanism | 11. Caution Label  |
| 6. Front Pump Cover   |                    |

**Note :** SP-PBN.....Base and Pump Cover(Dark Grey)



## 2. DIMENSIONS AND SPECIFICATIONS

### (1) DIMENSIONS

-mm-

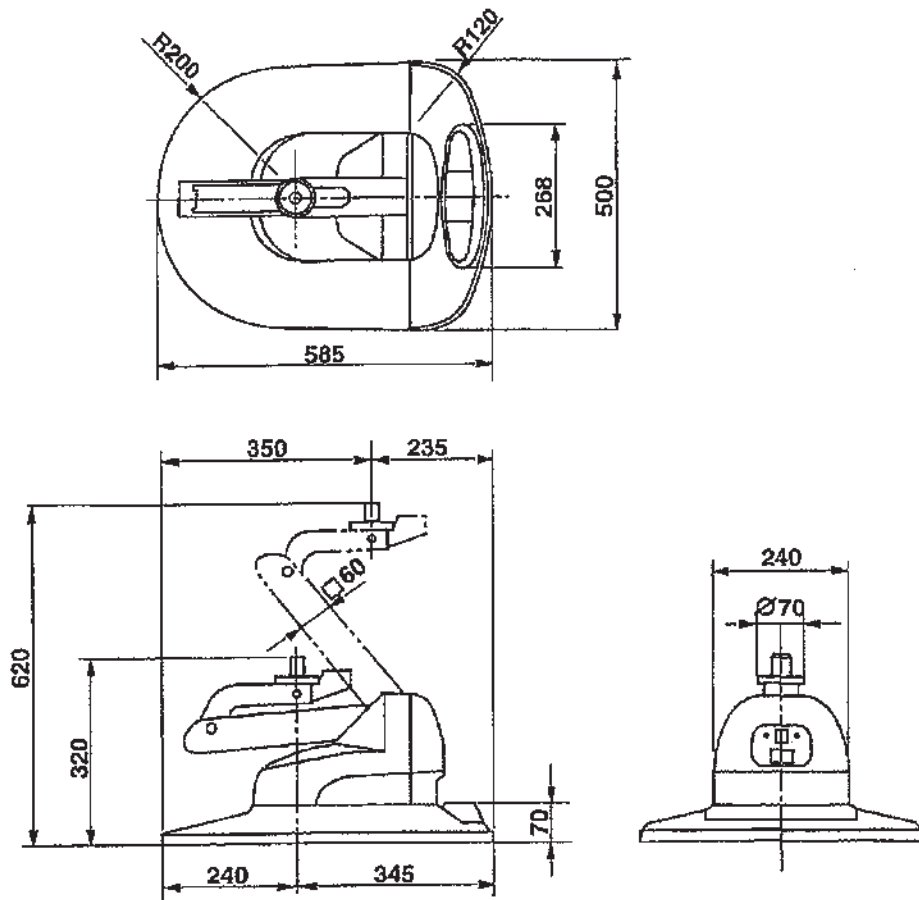


Fig.2-1 Dimensions

### (2) SPECIFICATIONS

Initial Height	320mm
Stroke	300mm (320 ~ 620mm)
Power Consumption	115V, 50/60Hz, 400 / 360W 220V, 50/60Hz, 325 / 360W 230V, 50/60Hz, 350 / 380W 240V, 50/60Hz, 400 / 410W
Weight	20kg

**Note :** SP-PSB, SP-PSW have the side up switch for shampoo positioning.

### 3. PREPARATIONS

#### (1) CHAIR SETTING POSITION

Basic chair setting position is shown in Fig.3-1.

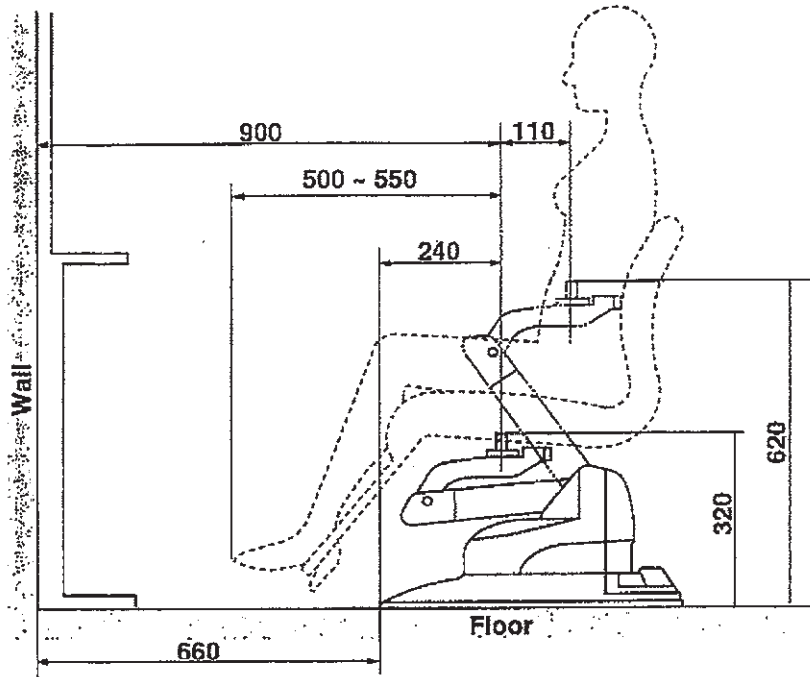


Fig.3-1 Chair Setting Position

#### (2) UNPACKING



Do not use sharp instrument to open carton box.  
Lift Up by only the base plate.

- Place the carton box behind the planned location for the chair.
- Open the carton box.
- Lift up with holding the base plate and take out from the carton box. (Fig.3-2)
- Place the base on the planned location for the chair.

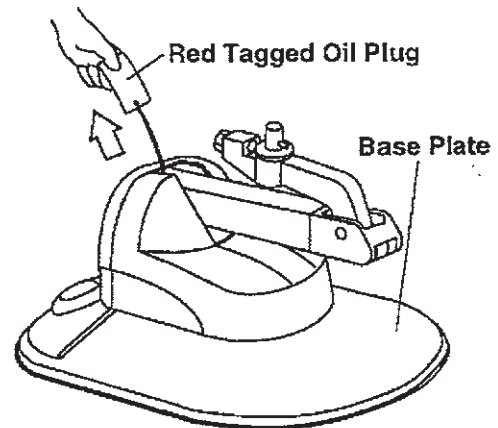


Fig.3-2 Red Tagged Oil Plug

#### (3) PREPARATIONS



Operate the main switch only by hand.  
Take proper earth (ground) at any time.  
Turn off the main switch in long term interval.

- Pull out the red tag and remove the oil plug. (Fig.3-2)
- Plug the power supply cable in suitable power supply outlet.
- Turn on the main switch located on the rear pump cover. A lamp illuminates in the main switch. (Fig.3-3)
- Lift up by the foot switch to suitable height for setting upper section.

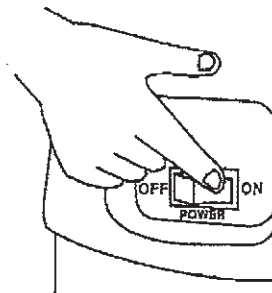


Fig.3-3 Main Switch

#### (4) SETTING UPPER SECTION

Keep lining up the seat flange ditch to the rotation shaft roll pin and insert the rotation shaft into the seat flange firmly. (Fig.3-4)

**Note :** Seat flange is fixed under the upper section.

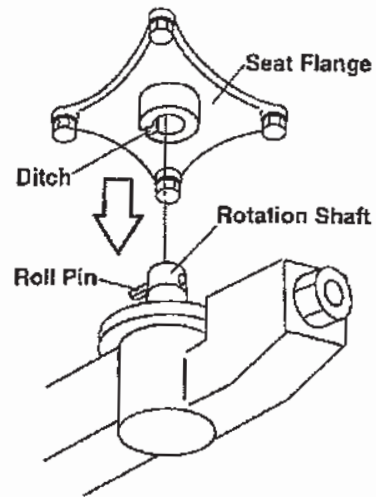


Fig.3-4 Setting Upper Section

### ! CAUTION

Do not lift up by upper section.  
Lift up by only base plate.

#### 4. OPERATING INSTRUCTIONS

### ! CAUTION

Before operating the chair, confirm safety for the customer and the operator.  
Do not let a person sit on or leave the chair except at the lowest chair position.  
Do not load heavy weight on the step.

#### (1) MAIN SWITCH (Fig.4-1)

Turn on the main switch located in the rear pump cover.  
A lamp in the main switch illuminates.

#### (2) CONTROLS (Fig.4-2)

##### A. Lifting

Keep depressing the up switch until the chair is lifted up to the desired position.

##### B. Lowering

Keep depressing the down switch until the chair down to the desired position.

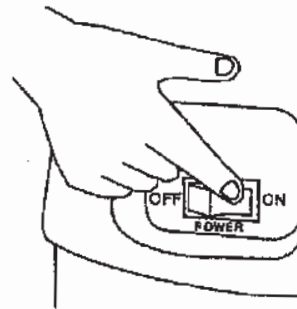


Fig.4-1 Main Switch

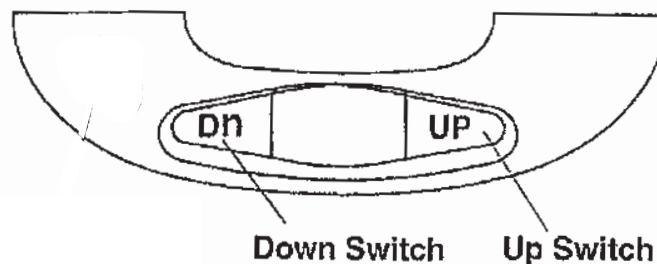


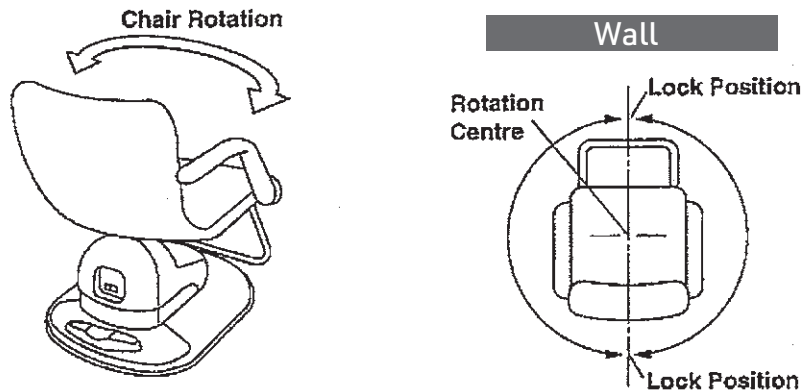
Fig.4-2 Foot Switch

### (3) CHAIR ROTATION (Fig.4-3)

**! CAUTION**

**Do not use the chair at unlocked position.**

Turn the chair upper section with holding the backrest or armrest to release the lock.  
The chair upper section can be rotated freely.  
The locking position is located front side and rear side.



**Fig.4-3 Chair Rotation**

## 5. CARE AND MAINTENANCE

Other than cleaning, no scheduled maintenance.

Paint parts, plastic parts can be cleaned with a weak neutral detergent.

**! CAUTION**

**Turn off the main switch with the lowest position after daily use or in long term interval.**

**Do not drench the base for cleaning.**

**Do not use polishing powder, solvents and strong disinfectant for cleaning.**

# IMPORTER INFORMATION

COUNTRY		REGISTERED PLACE OF BUSINESS & ADDRESS
GBR	Importer in UK	TAKARA BELMONT(U.K.)LTD. BELMONT HOUSE, ONE ST.ANDREWS WAY, BOW LONDON E3 3PA, ENGLAND
DEU	Importeur in Deutschland	TAKARA COMPANY EUROPE GmbH BERNER STRASSE 18, 60437 FRANKFURT/M, GERMANY
FRA	Importateur en France	TAKARA COMPAGNIE PARIS S.A.R.L. 56 rue des Hautes Pâtures 92009 NANTERRE Cedex France
ITA	Importatore in Italia	TAKARA BELMONT ITALY S.R.L. Via Marino Mazzacurati No.4/1, 42019 Scandiano RE, Italy

## EU Declaration of Conformity

We hereby declare that the product listed below complies with the essential requirements of the EMC (electromagnetic compatibility) Directive : 2014/30/EU, Low Voltage Directive : 2014/35/EU, Machinery Directive : 2006/42/EC and RoHS Directive : 2011/65/EU based on category 11 of Annex I.

Product : BEAUTY CHAIR BASE

Model : SP-PBN

The product has been designed and manufactured in accordance with the European standards as the listed in the Declaration of Conformity.

## UK DECLARATION OF CONFORMITY

We declare under sole responsibility that the device that is covered by the present declaration is in conformity with the following regulations and, if applicable, with any other relevant UK legislation that provides for the issuing of an UK declaration of conformity.

Product : BEAUTY CHAIR BASE

Model : SP-PBN

Regulations this product conforms to:

The Electrical Equipment (Safety) Regulations 2016, S.I. 2016/110

The Electromagnetic Compatibility Regulations 2016, S.I. 2016/1091

The Supply of Machinery (Safety) Regulations 2008, S.I. 2008/1597

The Restriction of the Use of Certain Hazardous Substances in Electrical and Electronic Equipment Regulations 2012, S.I. 2012/3032 based on category 11 of PART 1, SCHEDULE I

## EU Authorised representative

TAKARA COMPANY EUROPE GmbH

Berner Strasse 18, 60437  
Frankfurt am Main, Germany



## UK Authorised representative

TAKARA BELMONT(U.K.)LTD.

BELMONT HOUSE, ONE ST.ANDREWS WAY, BOW  
LONDON E3 3PA, ENGLAND



TAKARA BELMONT CORPORATION

2-1-1, Higashishinsaibashi, Chuo-ku, Osaka, 542-0083, Japan