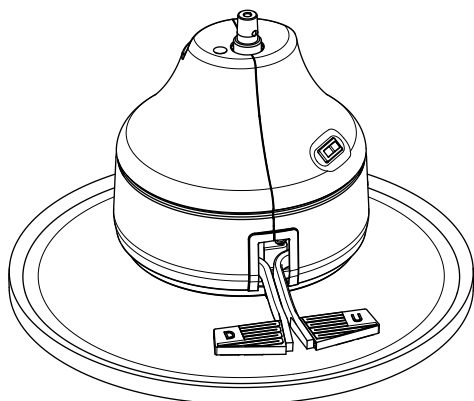


Classic-E Pump

Model No. : AN-BCE

Operation Manual



Takara Belmont would like to thank you for purchasing this Takara Belmont product. Be sure to read this manual before operating the chair and always use the chair properly according to the instructions.

Failure to read this operation manual may lead to accidents. This product is designed for commercial use in barbershops and beauty salons and in combination with an upper chair part.

Do not use this chair for any application other than hairdressing and beauty-related procedures.

Store this operation manual in a secure location and refer to it whenever necessary.

Inform Takara Belmont of the book number on the back cover to obtain a new operation manual if this booklet becomes torn, damaged, unreadable, or lost.

Table of Contents

SAFETY PRECAUTIONS (MANDATORY)	2
NOTES FOR USE	6
LOCATIONS OF WARNING LABELS	7
NAME OF COMPONENTS	8
ACCESSORIES	8
PREPARATION	
(1) How to Remove the Oil Plug	9
(2) How to Set the Upper Part of the Chair	9
(3) Power Supply	10
HOW TO USE	
(1) Guiding Customers	12
(2) Raising/Lowering the Chair	13
CARE AND MAINTENANCE	14
DAILY INSPECTION	15
BEFORE REQUESTING REPAIRS	15
DAILY INSPECTION PROCEDURES	16
SPECIFICATIONS	17
STANDARD PERIOD OF USE	18
DISPOSING OF THIS PRODUCT	18
DECLARATION OF CONFORMITY	18
INTENDED USE OF THE PRODUCT	19

SAFETY PRECAUTIONS (MANDATORY)

■ Before Use

Be sure to read these precautions and operate the chair accordingly in a safe manner.

■ User Prohibitions for this Product



Only persons who are certified hairdressers or beauticians are allowed to use this chair.

■ About the Precautions Listed Here

The precautions listed in this manual are to ensure safe use and to prevent any injury to users and other persons, as well as to prevent any damage. All these precautions explain the important items related to safety. Always obey the precautions explained in this manual.

Takara Belmont assumes absolutely no responsibility for accidents that might be caused by the failure to obey the Safety Precautions and the instructions in the Notes for Use if such failure results in injury to users and other persons or other damage. In such cases, the responsibility for any injury and damage lies solely with the user.

A detailed explanation of the cautionary symbols is provided below. Be sure that you fully understand the information before reading the rest of this manual.

Classification of Precautions	Level of Harm and Damage and Degree of Urgency
 WARNING	This indicates that failure to obey the corresponding warning and the resulting improper operation can result in death or serious injury.
 CAUTION	This indicates that failure to obey the corresponding warning and the resulting improper operation can result in mild injury or moderate harm and damage.
NOTE	This indicates a recommended action that should be performed in order to ensure safety.

WARNING

Use a single outlet (do not share an outlet with other plugs).

Use an shared outlet with an attached ground terminal which is perfect for rated voltage and current of this production* outlet with an attached ground terminal.

Using the same outlet together with the power plug of other devices can result in abnormal heat generation and possible fire.* 230 VAC (7 A or more)

Be careful of power cord or plug breakage.

Do not use any power cord or plug that is damaged or that fits loosely when inserted into an outlet. Doing so can result in electric shock or fire.

Unplug the power plug when the chair is not in use.

Turn off the power and remove the power plug from the outlet when the chair is not used.

Careless operation can cause an accident and insulation deterioration can result in fire from a short circuit.

Securely connect to ground.

Failure to make a ground connection can result in electric shock if there is a malfunction or short circuit. Consult an electrician for grounding procedures.

Do not disassemble or repair the chair

Disassembly or repair must only be done by a qualified service staff.

Disassembly by yourself can result in an accident, malfunction, electric shock, or fire.

SAFETY PRECAUTIONS (MANDATORY)

WARNING

Have the power cord replaced by certified personnel.

Power cord replacement must be performed by the closest dealer, Takara Belmont, or by a technician with equivalent certification.

Consult an electrician for any wiring work.

Wiring work must be performed by certified personnel. Consult an electrician for wiring work.

Firmly insert the power plug into the outlet.

Be sure to fully insert the power plug into the outlet until reaching the base of the plug. Failure to fully insert the plug or similar fault can result in a short circuit or heat generation that causes a fire.

Be careful to keep hands, fingers, and other body parts of the customer and user from touching or coming in close contact with moving parts.

There is a danger of pinching and other physical injury.

Hold by the power plug when unplugging.

Do not pull the cord to remove the power plug from the outlet. Hold by the power plug at the end of the cord when removing. Removing the plug by pulling the power cord can damage the power cord, resulting in electric shock or fire.

Do not wash the chair by pouring water on it.

This chair is an electronic device. Do not sprinkle with water to clean it. Washing in such a manner can result in a malfunction or electric shock.

Do not connect the earth (ground) to the following objects.

- Water Pipes
Complete grounding is not possible as hard plastic pipes are widely used.
- Gas Pipes
Connecting to gas pipes can result in an explosion or fire.
- Lightning rods and telephone dedicated grounding wire

Installation precautions

- Installation of this product must be performed by specialized personnel (personnel from Takara Belmont or Takara Belmont specified representatives).
- The chair must be installed on a perfectly flat, solid floor.
- Installing this product in a location with an incline of 5° or more can result in the chair tipping over.

Do not use in an environment where there are electromagnetic interference waves.

Using this chair in an environment where there are electromagnetic interference waves can cause faulty operation. Do not install this product near equipment that generates electromagnetic waves, such as communication equipment and elevators.

Do not use devices that generate electromagnetic waves (such as mobile telephones) near this chair.

Precautions when getting in and out of the chair

Always be sure to lower the chair to the lowest position and lock the rotation when a customer is getting in or out of the chair in order to ensure safety. Be especially careful when moving a person in a wheelchair in and out of the chair, and make sure that the wheelchair is not positioned in the operating range of the chair when moving the person. Feet, casters or other parts contacting the UP/DOWN foot switch will cause sudden operation of the chair, resulting in physical injury or property damage.

Precautions for the surrounding area during chair operation

Before and during operation, make sure that there are no persons or possible obstacles within the operating range of the chair (ranges of seat raising/lowering, backrest reclining/raising, chair rotation, leg rest operation) or nearby. There is a danger of body parts being pinched by the chair, resulting in physical injury or property damage.

SAFETY PRECAUTIONS (MANDATORY)

WARNING

Precautions for customers and children

Be careful and closely watch customers (especially children) in order to make sure that they do not play a trick with the chair or accidentally cause chair operation, resulting in an accident.

Precautions during chair rotation

- Please rotate the chair after confirming that the customer is seated. Confirm that there is no one around chair and be careful that the step does not come in contact with the customers or equipment.
When the backrest is laid backward, check the position of the customer's body, hands, and feet to ensure customer safety. Then rotate the chair.
- Be careful that the power cord does not come in contact with the adjuster under the step.
- Be sure to always lock (secure) chair rotation by raising the center of the UP/DOWN foot switch after rotating the chair.

Procedures in the event of a power outage

Turn off the power, then remove the power plug of this product from the outlet in order to prevent unexpected operation when recovering from a power outage.

Precautions when raising or lowering the chair

- Before raising or lowering the chair, always be sure to check that there are no persons or objects near the chair or the step, under the armrest, or between the upper part of the chair and this product.
There is a danger of body parts being pinched, resulting in physical injury or property damage.
- This product can lower the chair even if the power is turned off. Always be sure to lower the chair to the lowest position when finished and before turning off the power in order to ensure safety.
- The rotation lock is released when raising or lowering the chair. Always be sure to lock the rotation after raising or lowering the chair to ensure safety.
- Do not stand up on the step or sit on the edge of the seat by stepping the step when the seat is rising position.

Do not use this chair for any applications other than hairdressing and beauty-related procedures.

This product is designed for commercial use in barbershops and beauty salons and only for procedures and providing services indoors. It can only be used by trained professional hairdressers or by personnel under the supervision of trained professional hairdressers.

Do not let children fix or clean the chair.

Do not let a person unfamiliar with handling the chair (lack of experience and skills), such as children, fix or clean the chair. Doing so can result in an accident or injury.

Daily inspections are always necessary.

Perform daily inspections according to the Daily Inspection Procedures. Using the chair without performing daily inspections can result in malfunctions or accidents.

Precautions for cleaning procedures

Before cleaning, turn off the power and remove the power plug. Failure to do so can result in electric shock or fire. Movement of this product during cleaning may cause physical injury.

SAFETY PRECAUTIONS (MANDATORY)

CAUTION

Immediately wipe off any chemical solutions or water that spills on the chair.

Immediately wipe off any chemical solutions or water that spills on the chair with a soft, dry cloth. Chemical solutions can stain, and stains adhering to an electrical part can cause faulty operation or a short circuit.

Before operation, confirm that every part is working normally and safely.

Be constantly careful and inspect for looseness, rattling, tilting, vibration, noise, odors, peeled plating, and other possible problems. If anything seems slightly different or abnormal, immediately stop using the chair, turn off the power, unplug the power plug, and contact the closest dealer or Takara Belmont.

Be extremely careful not to operate the UP/DOWN foot switch improperly.

The person operating the chair must pay careful attention to the surrounding area and give verbal warnings and not make mistakes during operation of the chair.

Do not allow any person whose weight exceeds 135 kg/300 lb to sit in the chair.

Doing so can cause the chair to tip over or cause faulty operation.

Do not strongly strike or scrape the chair.

Doing so can result in tearing of the covers and similar damage, as well as increase the likelihood of faulty operation. In particular, striking or strongly pushing plastic parts, including the pump cover, can result in deformation or breakage.

Make sure that no feet or hands or other objects will be pinched between the step and floor when raising, lowering, or rotating the chair.

Turn off the power after you are finished using the chair.

Turn off the power after use. Always operate the power switch by hands only.

Do not place any objects on top of the power cord.

Do not place any objects on top of the power cord. Damage to the power cord can cause a severed wire or short circuit, resulting in electric shock or fire.

Precautions for cleaning procedures

- Do not use any of the following substances to clean the chair.
Thinner, alcohol, nail polish remover, volatile chemicals (such as gasoline or kerosene), acidic/alkaline/chlorinated cleaners, antiseptics with strong metal corrosion properties, povidone iodine (iodine solution), sodium hypochlorite, waxes containing abrasive compounds, sponges containing abrasive compounds, and similar substances.
Do not use brushes, scouring brushes, or similar items when cleaning the chair. Using them will damage the chair or result in the inability to clean off any dirt or grime.
- The metal part and mechanical section of the chair have sharp edges. Be careful when cleaning the chair that your hands, fingers, or other body parts are not injured.

Unplug the power plug during installation of the chair and parts replacement.

Disconnect the power plug from the mains during installation of the chair and parts replacement. Failure to do so can result in an accident or injury.

Be careful of peeled plating.

Touching a part with peeled plating may hurt the hands, fingers, or other body parts. Immediately contact the closest dealer or Takara Belmont.

NOTES FOR USE

WARNING

Pay attention to the positions to hold when transferring the chair.

When the chair is transferred after the upper part of the chair is set, hold the UP/DOWN foot switch and the body of the upper part of the chair. Lifting the chair by supporting only the upper part of the chair may allow the product to slip, resulting in severe injury.

CAUTION

Immediately wipe off any chemical that spills on the chair.

Immediately wipe off any chemicals adhering to the pump cover.

Do not apply heat

Do not apply heat to the chair. Doing so can result in deformation or discoloration.

NOTE

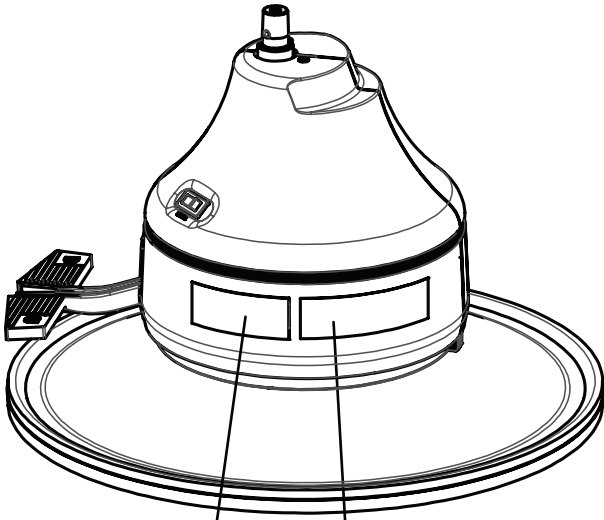
The maximum load of this chair is 1,350 N (135 kgf/300 lbf). The raising speed of the seat declines as the maximum load is approached.

Discoloration of resin

Resin materials are used in external components of this product. Carefully selected materials are used; however, discoloration may occur for reasons such as natural deterioration or the adherence of solutions. To ensure use of the product for longer period, immediately wipe off any solutions if it adheres, and avoid sunlight.

SAVE THESE INSTRUCTIONS

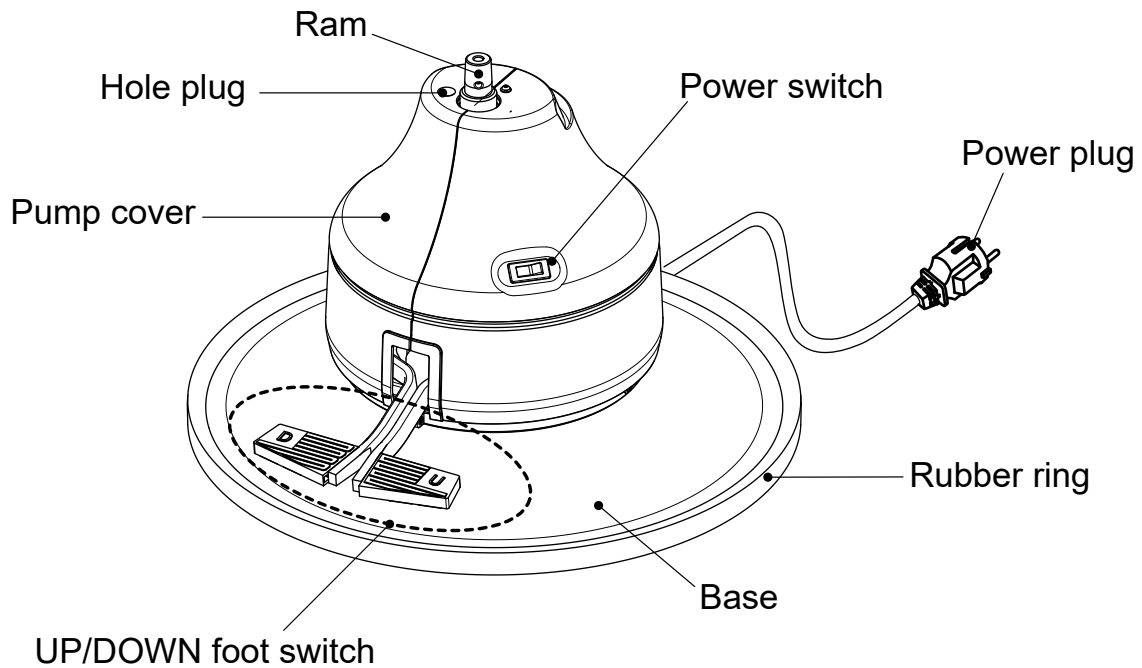
LOCATIONS OF WARNING LABELS



⚠ WARNING / AVERTISSEMENT			
<p>Risk of pinching during the operation. Check the space below and around the chair when raising or lowering the chair and the legrest.</p> <p>Risque de pincement durant l'opération. Vérifier l'espace en dessous et autour de la chaise lors de l'élévation ou de la descente de la chaise ainsi que du repose jambes.</p>	<p>Risk of dropping of the pump. Carry the chair with holding the base and the foot pedal.</p> <p>Risque d'échapper la pompe. Transporter la chaise en soutenant la base et la pédale.</p>	<p>Risk of malfunction or a fire caused by a short circuit. Unplug the power cord when not used.</p> <p>Risque de malfonction ou incendie causée par un court-circuit. Débrancher le cordon d'alimentation lorsque non-utilisé.</p>	<p>Risk of electric shock, fire, and abnormal motion. Do not disassemble, repair or modify.</p> <p>Risque de choc électrique, incendie ou opération anormale. Ne pas désassembler, réparer ou modifier.</p>
Refer to the Operation Manual for other notes.			

⚠ WARNING / AVERTISSEMENT		
<p>For public occupancy use only.</p> <p>Pour usage publique seulement.</p>	<p>This furnishing has not been evaluated for flammability or cigarette ignition resistance.</p> <p>Cet ameublement n'a pas été évalué pour les tests de flammabilité et de résistance a l'ignition par une cigarette.</p>	<p>Warning risk of injury maximum load 300 pounds.</p> <p>Danger /Risque de blessure/ Charge maximale 300 lbs.</p>
Refer to the Operation Manual for other notes.		

NAME OF COMPONENTS



Regarding the appearance of foot switch

The casting components of the foot switch are handmade finish.
So sometimes the surface of the casting components are not smooth like machine finish.

ACCESSORIES

· Operation Manual

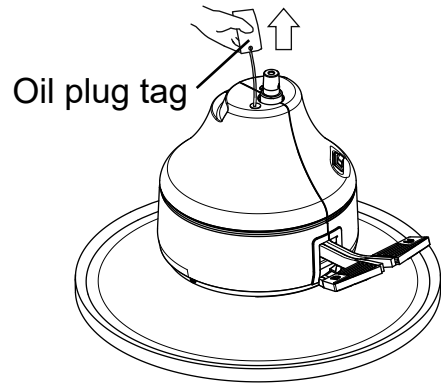
· Hole plug

PREPARATION

(1) How to Remove the Oil Plug

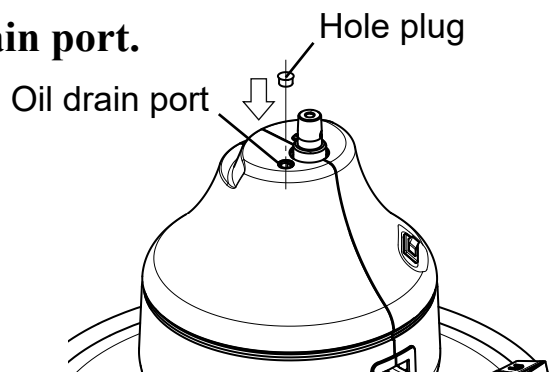
1. Pull out the oil plug.

Pull the oil plug tag upward to remove the oil plug.



2. Engage the hole plug into the oil drain port.

Engage the accessory hole plug into the oil drain port.



! CAUTION

Be sure to remove the oil plug before using this product.
It may cause oil leakage or malfunction.

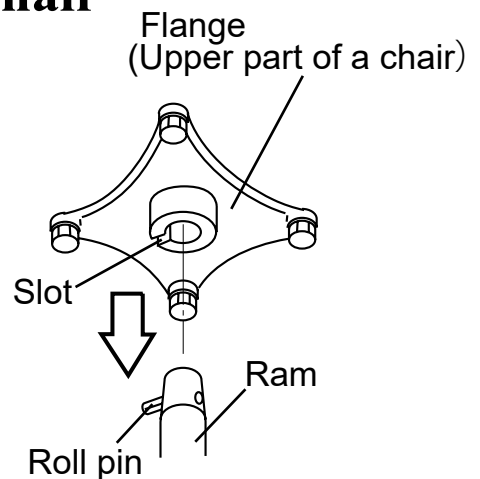
(2) How to Set a Upper part of the chair

Set an upper part of the chair.

Insert the ram into the flange of the upper part of the chair.
Align them so that the roll pin matches the slot on the flange.

! WARNING

When the chair is transferred after the upper part of the chair is set, hold the UP/DOWN foot switch and the body of the upper part of the chair. Lifting the chair by supporting only the upper part of the chair may let this product slip, resulting in severe injury.



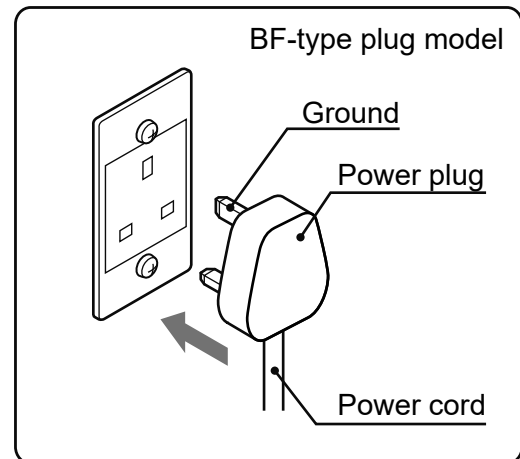
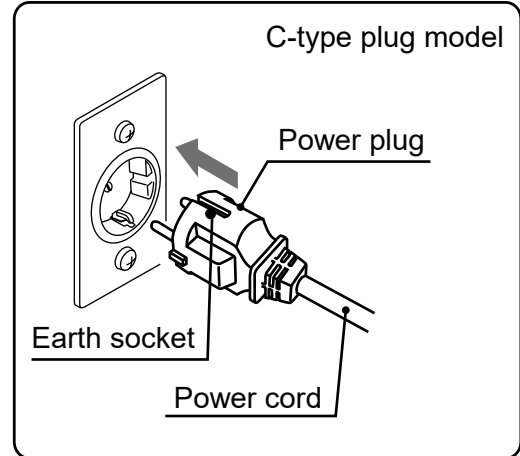
PREPARATION

(3) Power Supply

1. Insert the power plug into the outlet.

WARNING

- Be sure to fully insert the power plug into the outlet until reaching the base of the plug.
Failure to fully insert the plug or similar fault can result in a short circuit or heat generation that causes a fire.
- Do not pull the cord to remove the power plug from the outlet. Hold by the power plug at the end of the cord when removing.
Removing the plug by pulling the power cord can damage the power cord, resulting in electric shock or fire.
- Power cord replacement must be performed by the closest dealer, Takara Belmont, or by a technician with equivalent certification.
- Use an shared outlet with an attached ground terminal which is perfect for rated voltage and current of this production※ outlet with an attached ground terminal. Using the same outlet together with the power plug of other devices can result in abnormal heat generation and possible fire.
※230 VAC (7 A or more)
- Wiring work must be performed by certified personnel. Consult an electrician for wiring work.
- Do not connect the earth (grounding pin) to the following objects.
 - Water Pipes
Complete grounding is not possible as hard plastic pipes are widely used.
 - Gas Pipes
Connecting to gas pipes can result in an explosion or fire.
 - Lightning rods and telephone dedicated grounding wire
- Failure to make a ground connection can result in electric shock if there is a malfunction or short circuit. Consult an electrician for the grounding procedures.



PREPARATION

2. Turn on the power.

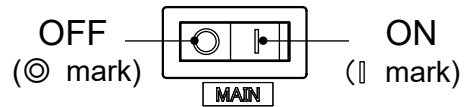
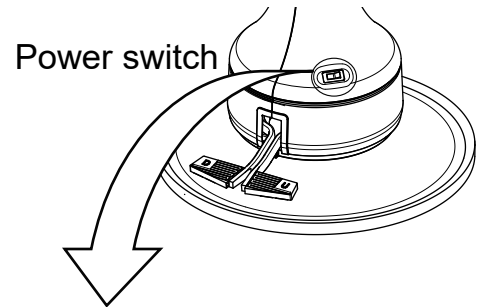
Press the I mark side of the power switch to turn the power on.
Press the side with the © mark to turn the power off.

WARNING

Turn off the power, then remove the power plug from the outlet when the chair is not used.
Careless operation can cause an accident and insulation deterioration can result in fire from a short circuit.

CAUTION

- Turn off the power after use. Always operate the power switch with your hands only.
- Immediately wipe off any chemical solutions or water that spills on the chair by using a soft, dry cloth. Chemical solutions can stain, and stains adhering to an electrical part can cause faulty operation or a short circuit.

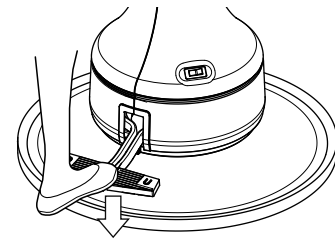


HOW TO USE

(1) Guiding Customers

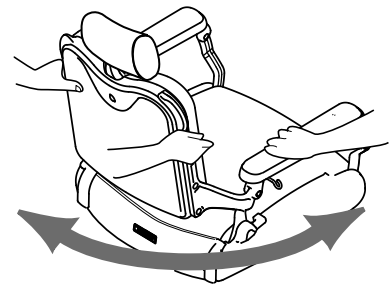
1. Rotate the chair so that the customer can be easily seated in the chair.

1 Step downward on the center of the UP/DOWN foot switch to release the rotation lock.
Now, the chair can rotate.



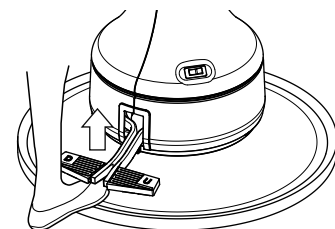
2 Rotate the chair.

Hold the backrest or armrests when rotating the chair.
The chair rotates 360 degrees.



3 Fix the chair in a work position.

Stop the chair at the desired work position and raise the center of the UP/DOWN foot switch upward to lock rotation.



WARNING

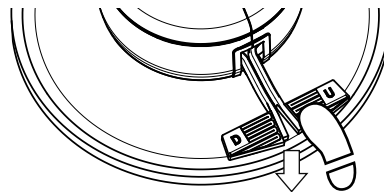
- Always be sure to lower the chair to the lowest position and lock the rotation when a customer is getting in or out of the chair in order to ensure safety. Be especially careful when moving a person in a wheelchair in and out of the chair, and make sure that the wheelchair is not positioned within the operating range of the chair when moving the person. Feet, casters, or other parts contacting the UP/DOWN foot switch will cause sudden operation of the chair, resulting in physical injury or property damage.
- Please rotate the chair after confirming that the customer is seated. Confirm that there is no one around chair and be careful that the step does not come in contact with the customers or equipment. When the backrest is laid backward, check the position of the customer's body, hands, and feet to ensure customer safety. Then rotate the chair.
- Be careful that the power cord does not come in contact with the adjuster under the step.
- Be sure to always lock (secure) chair rotation by raising the center of the UP/DOWN foot switch after rotating the chair.

HOW TO USE

(2) Raising/Lowering the Chair

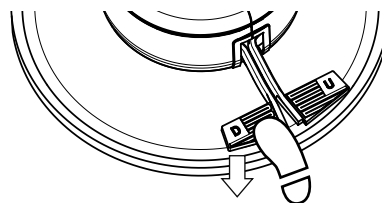
1. Raising the chair

To raise the chair, step on the right side of the UP/DOWN foot switch (U). The chair is raised while stepping on the switch.



2. Lowering the chair

To lower the chair, step on the left side of the UP/DOWN foot switch (D). The chair is lowered while stepping on the switch.



WARNING

- Before raising or lowering the chair, always be sure to check that there are no persons or objects near the chair or step, under the armrest, or between the upper part of the chair and this product. There is a danger of body parts being pinched, resulting in physical injury or property damage.
- This product can lower the chair even if the power is turned off. Always be sure to lower the chair to the lowest position when finished and before turning off the power in order to ensure safety.
- The rotation lock is released when raising or lowering the chair. Always be sure to lock rotation after raising or lowering the chair to ensure safety.
- Do not stand up on the step or sit on the edge of the seat by stepping the step when the seat is rising position.

CARE AND MAINTENANCE

Clean this chair after use to maintain it in a clean state. Leaving dirt or grime on the chair can result in the formation of mold. Always unplug the power plug from the outlet when cleaning the chair.

■ Cleaning of Each Part

Operating Section Metal Parts

Wipe clean using a soft, dry cloth.
Do not clean these parts with a wet cloth because they are readily affected by moisture and water.
Wipe off all moisture immediately if any water gets on these parts.
Water left on these parts will result in rust or malfunction of electronic parts.

Plastic Parts

Wipe clean using a soft, dry cloth.

If extremely dirty

Wipe clean with a soft cloth that has been dampened with a neutral detergent diluted with water to approximately one tenth.
Wipe the area with a dry cloth after wiping off the color.

WARNING

- This chair is an electronic device. Do not sprinkle with water to clean it. Washing in such a manner can result in a malfunction or electric shock.
- Before cleaning, turn off the power and unplug the power plug. Failure to do so can result in electric shock or fire. Movement of this product when cleaning may cause physical injury.

CAUTION

- Do not use any of the following substances to clean the chair.
Thinner, alcohol, nail polish remover, volatile chemicals (such as gasoline or kerosene), acidic/alkaline/chlorinated cleaners, antiseptics with strong metal corrosion properties, povidone iodine (iodine solution), sodium hypochlorite, waxes containing abrasive compounds, sponges containing abrasive compounds, and similar substances.
Do not use brushes, scouring brushes, or similar items when cleaning the chair.
Using them will damage the chair or result in the inability to clean off the dirt or grime.
- The metal part and mechanical section of the chair have sharp edges. Be careful when cleaning the chair that hands, fingers, or other body parts are not injured.

To use a chair that has not been used for an extended period, clean before using and be sure to check that the chair operates safely without any error.

■ Spray-type Hairstyling Products (Especially hard types)

When using spray-type hairstyling products (especially hard types), check the entire chair to make sure that none of the product adheres to the exterior surface of the chair. Immediately wipe off any hairstyling product that adheres to the chair. Failure to wipe off the product and allowing it to remain result in the hairstyling product hardening, leaving a rough feel to the chair. Be especially careful of flat surfaces (such as the plastic covers) as this roughness is noticeable on those areas.

※ If the hairstyling product has hardened:

Clean off adhered and hardened hair product by using ethanol.

However, repeatedly cleaning off product adhering to plastic covers by using ethanol can cause the surface to deteriorate, the coating to peel, the luster to be lost, and cracking. Immediately wiping off any adhering hairstyling product is the best method of preventing problems of this type.

DAILY INSPECTION

Perform inspections according to the Daily Inspection Procedures explained on page 16 of this operation manual in order to ensure safe use of this chair.

WARNING

Perform daily inspection according to the Daily Inspection Procedures. Using the chair without performing daily inspections can result in malfunctions or accidents.

BEFORE REQUESTING REPAIRS

If any of the problems described below occur, conduct the checks outlined before requesting repairs.

Problem	Check Points	Recovery Procedures
<ul style="list-style-type: none"> ■ The chair will not raise. 	<ul style="list-style-type: none"> ■ Is the power plug correctly inserted? ■ Is the power switch turned on? ■ Has a fuse of the shop's switchboard or breaker been tripped? ■ Has the chair been continuously operated for an extended period? 	<ul style="list-style-type: none"> ■ Correctly insert the power plug. (p. 10) ■ Turn on the power. (p. 11) ■ Replace the fuse of the switchboard or turn on the breaker. ■ The problem is due to the operation of the overheating prevention device. <div style="border: 1px solid black; padding: 5px; margin-top: 10px;"> <p>Overheating Prevention Device This is a protective circuit that prevents abnormal overheating of internal mechanisms due to continuous operation and similar causes. The chair might not raise temporarily.</p> </div>

These are not malfunctions	
<ul style="list-style-type: none"> ■ Abnormal sound at startup 	<ul style="list-style-type: none"> ■ Such sound is due to the internal hydraulic fluid being cold. It is not a functional fault and should stop shortly thereafter.
<ul style="list-style-type: none"> ■ Slow movement of the chair 	<ul style="list-style-type: none"> ■ Such movement is due to the internal operating fluid being cold. Raise the room temperature or continue operating for a short period. It will recover to the normal condition.

If any of the problems described above occur and the chair does not work normally even after performing the recovery procedures, immediately stop using the chair, turn off the power, unplug the power plug, and contact the closest dealer or Takara Belmont.

DAILY INSPECTION PROCEDURES

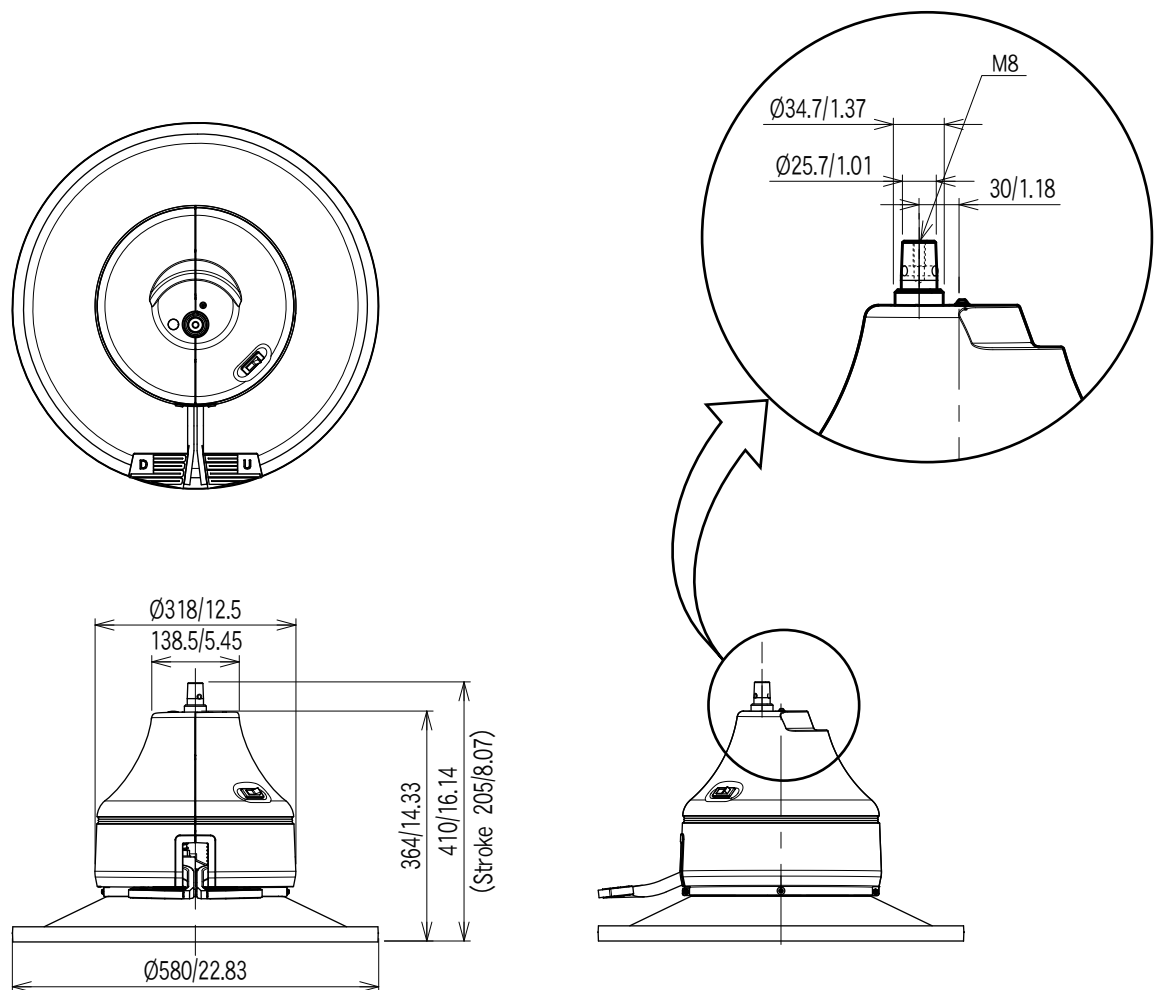
Perform the following inspection procedures in order to ensure that the chair can be used safely.

• Daily Inspection Procedures

Inspection Item	Inspection Procedures	Recovery Procedures for a Problem
<input type="checkbox"/> Check that the chair operates normally.	<input type="checkbox"/> Check that the chair is raised and lowered by using the UP/DOWN foot switch. <input type="checkbox"/> Check that there is no wobbling or abnormal noise when operating the chair. <input type="checkbox"/> Check that the chair stops in the desired position for a fixed period and does not sink.	<input type="checkbox"/> Perform the procedures indicated in (2) "Raising/Lowering the Chair" under "Instructions for Use" (p. 13). If operation is still not normal, it might not be possible to safely use the chair. Stop using the chair, turn off the power, unplug the power plug, and contact the closest dealer or Takara Belmont. <input type="checkbox"/> If there is any wobbling or abnormal noise when operating the chair, stop using the chair, turn off the power, unplug the power plug, and contact the closest dealer or Takara Belmont. <input type="checkbox"/> If the chair does not stop for a fixed period and sinks, stop using the chair, turn off the power, unplug the power plug, and contact the closest dealer or Takara Belmont.
<input type="checkbox"/> Check that there are no abnormal odors emitted from the chair.	<input type="checkbox"/> Check that no abnormal odors or smoke is being emitted from the chair.	<input type="checkbox"/> Using the chair in such condition can result in abnormal operation or fire. Stop using the chair, turn off the power, unplug the power plug, and contact the closest dealer or Takara Belmont to inform of the abnormal situation.
<input type="checkbox"/> Check that no oil is leaking.	<input type="checkbox"/> Check that no oil has dripped on the top of the base or that oil is not seeping from the pump cover.	<input type="checkbox"/> Oil might be leaking from hydraulic parts. Stop using the chair, turn off the power, unplug the power plug, and contact the closest dealer or Takara Belmont.

SPECIFICATIONS

Model No.	AN-BCE
Rated voltage	230 V
Rated frequency	50/60 Hz
Rated current	2.0/1.8 A
Weight	32 kg (70.5 lbs)
Max. lift capacity	Human body mass 1350 N (135 kgf / 300 lbf)
Operating noise volume	70 dB or less
Usage environment	Temperature 0 ~ 40°C Humidity 10 ~ 95% (No condensation) Air pressure 700 ~ 1060 hPa Use the product at an altitude of 3000m or less.
Transportation / Storage environment	Temperature -20 ~ 70°C Humidity 10 ~ 95% (No condensation) Air pressure 700 ~ 1060 hPa



※Dimensions and specifications are subject to change without notice due to design improvements.
Standard values are indicated (Unit: mm/inch).

STANDARD PERIOD OF USE

- The standard period of use of this chair is 10 years.
- The standard period of use is an approximate standard period for which the chair can be safely used with no impediments to safety under the standard use conditions for each chair and while performing proper maintenance and inspection (including parts replacement). This is not the warranty period. The length of the standard period differs depending on the use environment and frequency of use of the customer. For maintenance after the standard period of use, contact the closest dealer or Takara Belmont.

DISPOSING OF THIS PRODUCT

Dispose of this chair and replaced parts in a proper manner that complies with local laws and regulations.

DECLARATION OF CONFORMITY

EU Declaration of Conformity

We hereby declare that the product listed below complies with the essential requirements of the EMC (electromagnetic compatibility) Directive:2014/30/EU, Low Voltage Directive:2014/35/EU, Machinery Directive:2006/42/EC and RoHS Directive:2011/65/EU based on category 11 of Annex I.

Product : BARBER CHAIR BASE

Model : Classic-E Pump

The product has been designed and manufactured in accordance with the European standards as the listed in the Declaration of Conformity.

UK Declaration of Conformity

We declare under sole responsibility that the device that is covered by the present declaration is in conformity with the following regulations and, if applicable, with any other relevant UK legislation that provides for the issuing of an UK declaration of conformity.

Product : BARBER CHAIR BASE

Model : Classic-E Pump

Regulations this product conforms to:

The Electrical Equipment (Safety) Regulations 2016, S.I. 2016/110

The Electromagnetic Compatibility Regulations 2016, S.I. 2016/1091

The Supply of Machinery (Safety) Regulations 2008, S.I. 2008/1597

The Restriction of the Use of Certain Hazardous Substances in Electrical and Electronic

Equipment Regulations 2012, S.I. 2012/3032 based on category 11 of PART 1, SCHEDULE I

INTENDED USE OF THE PRODUCT

This product is intended for the exclusive use in hair salon for their treatment and service, and must be operated or handled by the qualified/professional hairdressers or by their staffs under the supervision of hairdressers. Such hairdressers or staffs should instruct and/or assist the salon customers to approach to and leave from the product.

Salon customers should not be allowed to operate or handle the product unless he or she is so instructed.

IMPORTER INFORMATION

COUNTRY		REGISTERED PLACE OF BUSINESS & ADDRESS
GBR	Importer in UK	TAKARA BELMONT(U.K.)LTD. BELMONT HOUSE, ONE ST.ANDREWS WAY, BOW LONDON E3 3PA, ENGLAND
DEU	Importeur in Deutschland	TAKARA COMPANY EUROPE GmbH BERNER STRASSE 18, 60437 FRANKFURT/M,GERMANY
FRA	Importateur en France	TAKARA COMPAGNIE PARIS S.A.R.L. 56 rue des Hautes Pâtures 92009 NANTERRE Cedex France
ITA	Importatore in Italia	TAKARA BELMONT ITALY S.R.L. Via Marino Mazzacurati No.4/1, 42019 Scandiano RE, Italy

EU Authorised representative

TAKARA COMPANY EUROPE GmbH
Berner Strasse 18, 60437
Frankfurt am Main, Germany
TEL : +49 69 506878 0 / FAX : +49 69 506878 20



UK Authorised representative

Takara Belmont (U.K.) Ltd.
Belmont House, One St. Andrews Way,Bow
London E3 3PA, U.K.
TEL : +44-20-7515-0333 / FAX : +44-20-7987-3596



MANUFACTURER



TAKARA BELMONT CORPORATION
2-1-1, Higashishinsaibashi, Chuo-ku, Osaka, 542-0083, Japan
TEL : +81-6-6213-5945 / FAX : +81-6-6212-3680

2022-09 (8th edition)
BOOK No. 1E0522HE
Printed in Japan