

HYDRAULIC CHAIR

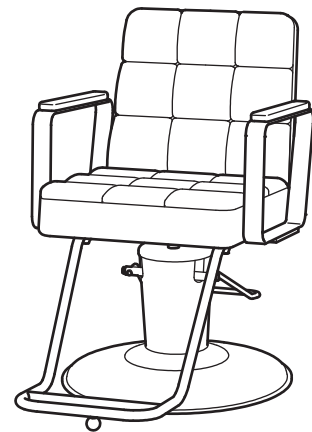
INSTALLATION AND OPERATING INSTRUCTIONS



Manual Barber chairs



Shampoo chairs



Styling chairs

Thank you for purchasing this TAKARA BELMONT product.

Please read the installation and operating instructions thoroughly before use to ensure correct use.

Using this product without reading the installation and operating instructions could lead to accidents.

- Keep this installation and operating manual near the product for quick reference and read it again when necessary.
- This product is a professional-use product for hairdressing and beauty salons. Do not use the product for any purpose other than the above.
- This product should only be used by people who have been properly trained, such as hairdressers and beauticians.
- Installation and assembly should be done based on the installation and operating instructions.

1	General Safety Instructions.....	4
2	Safety Precautions.....	4
3	Precautions for Use.....	7
4	Precautions for Handling of Synthetic Leather.....	8
5	About this Product.....	8
6	Name of Each Parts.....	9
7	How to Install.....	10
8	Attaching the Chair Top to the Chair Base.....	10
9	Attaching the Footrest [Styling Chair and Shampoo Chair].....	11
10	Attaching the Footrest [Model No. 225].....	11
11	Moving the Chair.....	12
12	Using the Chair.....	12
13	Maintenance.....	16
14	Daily Inspections.....	18
15	Standard Period of Use.....	19
16	Consumables.....	19
17	Maintenance Service Parts and Replacement Parts.....	19
18	Disposing of this Product.....	19
19	Specifications and Product Dimensions.....	19

Please refer to the following website or contact your local Takara Belmont dealer in case your operating instructions is unreadable due to being soiled or ripped.

<https://beauty.takarabelmont.co.jp/manual-site/>



1 General Safety Instructions

■ Before Using

Be sure to thoroughly read the "Safety Precautions", "Precautions for Use" and "Precautions for Handling of Synthetic Leather" to ensure correct use.

■ Precautions Listed Here

These operating instructions contain important information to avoid personal injuries, or property damages against you or your customers by using this product correctly.


These precautions are important for ensuring safety. Adhere to these precautions at all times.


TAKARA BELMONT is not responsible for any damage or risk to the person using this product or those around them due to accidents if this product is used without adhering to


the "Safety Precautions", "Precautions for Use" and "Precautions for Handling of Synthetic Leather". In this case, the person failing to adhere to the "Safety Precautions", "Precautions for Use", and "Precautions for Handling of Synthetic Leather" will be responsible for any damage or risk incurred.


Detailed descriptions of symbols are provided below. Be sure that you understand the warnings and cautions in this manual before operating the product.

■ Symbols


 **WARNING** This symbol warns the user that "Ignorance of this display and improper use may cause death or serious personal injury."

 **CAUTION** This symbol warns the user that "Ignorance of this display and improper use may cause slight to moderate personal injury or property damage."

 Common danger, warning, and caution notifications

 Prohibited disassembly or repairs/modifications

 Common prohibited actions

 Indicates what a user is forced or instructed to do

2 Safety Precautions (adhere to these precautions at all times)

WARNING

Installing and Moving the Product



● Installation Precautions

- Install the product according to this booklet.
- Installation should be performed by a specialist personnel.
- Be sure to install the unit on a flat and solid floor. The chair may tip over if the chair is installed on a floor that is tilted 5 degrees or more. Also, there is a risk of the chair rattling or abnormal noise due to the floor inclination or irregularity on the floor surface.
- Place the chair in a place where it will not hit or damage any

surrounding furniture or objects.

● Precautions for Moving the Product

When lifting and carrying the chair, be sure to lock the chair base rotation and move it by holding the chair base with two persons. Carrying the chair by holding only the chair top may cause the chair base to come off, causing injury. Also, be careful not to touch the metal part on the underside of the chair top. Otherwise, you may be injured.

2 Safety Precautions (adhere to these precautions at all times)

WARNING

During Use and Maintenance



- Do NOT move the chair when a customer is seated. Failure to do so may cause the user to tip over, resulting in injury or product damage due to the chair falling over.
- Do NOT try to rotate the chair by excessive force when the chair rotation is locked. The customer or the chair may fall, causing injury or damage. Repeated use of excessive force may damage the chair.
- Do NOT let a customer stand on the chair. Failure to do so may cause the customer to tip over, resulting in injury or product damage due to the chair falling over.
- Do NOT let two or more customers or anyone weighing more than 135 kg sit in the chair. Failure to do so may cause the customer to tip over, resulting in injury or equipment damage due to the chair falling over. Also, the chair may not work properly or may become damaged, causing injury.
- Do NOT sit on the backrest or armrests or apply excessive load to them. Failure to do so may cause the user to tip over, resulting in injury or product damage due to the chair falling over.
- Do NOT apply a load of 300N (30kgf) or more to the footrest. Failure to do so may cause the user to tip over, resulting in injury or equipment damage due to the chair falling over.
- Do NOT lean on the chair carelessly. The chair top may rotate



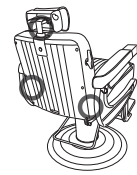
- Do NOT disassemble, repair, or modify the product by yourself, please contact an after-sales personnel member or your local

and fall, resulting in injury or breakage of the chair.

- Do NOT climb on the backrest in the reclined position. Do NOT step on or apply excessive force to the backrest of the product when it is reclined. Failure to do so may cause the chair to break or fall, resulting in injury.
- When operating the chair, pay close attention to the your and customer's hands and fingers, as well as to your customer's hair in the gaps shown below. If something was to get caught, there is a risk of serious injury.



Between the headrest and the backrest
Between the seat and the backrest



Between armrests and backrest
Between the headrest and the backrest

- Do NOT use the chair when the backrest cannot be unlocked. If the backrest does not locked, stop using it immediately and contact your local Takara Belmont dealer. Otherwise, the chair may fall, resulting in injury.
- Do NOT forcibly pull the power cord such as a dryer cord that is caught in the chair. Failure to do so may damage the power cord of the chair or dryer, resulting in injury or electric shock.

Takara Belmont dealer. Failure to do so may cause an accident or malfunction.

During use and maintenance



- Entering and exiting the chair
 - When a customer enters and exits the chair, be sure to lower the chair top to its lowest position, lock the chair rotation and support the chair firmly. If the customer enters or exits the chair when it is at a higher position, the customer or the chair may fall, causing injury or damage.
 - Be careful that the customer's foot does not become caught by the chair base or the footrest. If the customer's foot becomes caught, the customer or the chair may fall, causing injury or damage.
- Raising and lowering the chair top
 - Make sure that there are no persons or objects between the chair (especially the footrest) and the floor when operating. Otherwise, the person may be caught or injured or the chair or pinched objects may be damaged.
- Be careful not to let the customer or others touch the reclining handle or foot pedal during the treatment.
 - If the backrest is unlocked accidentally, the backrest may

recline vigorously and the chair may lose balance and fall over. Especially when the chair is raised, pay particular attention because the chair is likely to become unstable and may fall over.

- When reclining and raising the backrest, hold the customer's head with your hand and do it slowly. Otherwise, the customer may be injured by hitting his/her head against a shampoo bowl, etc. If the customer is quickly laid down on the backrest or raised, the chair may become unbalanced and fall. Pay extra care when the chair is at the raised position as the chair is likely to become unstable and there is a higher risk of falling.
- Be sure to conduct daily inspections
 - Failure to do so may result in injury or chair damage. Refer to [page 18] for daily inspection.
- If the chair does not work or if the product has any problem, immediately stop using it and contact your local Takara Belmont dealer.

2 Safety Precautions (adhere to these precautions at all times)

CAUTION

Installing and moving the product



- Precautions for moving the product
When moving a chair, lay a mat under it and pull the mat, as shown in "Moving the Chair" (page 12). Do NOT drag the chair

directly on the floor. The floor may be scratched, and the chair may stop working or become damaged.

During use and maintenance



- Do NOT raise or lower the chair top in long strokes or with a large action.
Failure to follow this instruction may cause damage to the product or injury.
- Do NOT use the product with the plating peeled off.
If plating on the metal or plastic parts comes off, immediately contact your local Takara Belmont dealer and replace it.
Continued use may result in injury.
- Do NOT bump, knock or hit the product.
Failure to do so may result in damage to the footrest, armrests, etc., or injury due to malfunction or damage.
- Do NOT hook or pull any cords such as a dryer on the underside of chair top, the armrests, or the backrest. Failure to follow this instruction, the chair or dryer may be damaged, or resulting in electric shock or injury.
- Do NOT allow the customer to adjust the angle of the backrest.
Adjustment during treatment or operation with excessive force may cause injury or chair damage.
- Avoid any impact on the chair, reclining handles, chair base cover, etc. Otherwise, it may cause injury or malfunction of the

chair. Also, do NOT hit or push the chair base cover or other resin parts with force. Doing so may cause breakage or deformation of the cover.

- Carefully adjust the length of the adjuster.
Adjust the length of the adjuster so that it will not catch a power cord or rub against the floor when you turn the chair top, and that the chair will not fall when the customer sits down.
- Do NOT apply excessive force to the tip of the backrest or armrest when rotating the chair or moving the chair. The chair may be deformed or damaged.
- Do NOT rotate the chair by holding the reclining handle or the headrest. Otherwise, damage to the product or injury may result.
- Take extra care when handling the headrest.
When attaching, removing, adjusting or flipping the headrest, be extra careful to avoid injury. Your fingers may become caught or cut on the metal parts.



- Pay attention when rotating the chair top.
When rotating the chair top, always make sure that no one is around it (especially around the footrest) and that there are no objects, and that the power cord is not caught in the adjuster of the footrest. If it hits a person or an object, it may cause injury or damage to a chair or an object. Also, do NOT rotate the backrest while it is laying down. Doing so may damage the chair or cause injury.

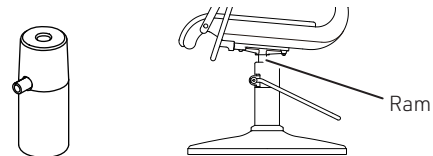
- If the floor is wet, be sure to wipe it up as it could cause injuries.
If the floor is wet after shampooing, wipe it off immediately. Not doing so may cause deterioration of the floor surface or failure of the chair base.
- Do NOT put a wet towel on the chair. Mould may grow or the leather upholstery may discolour, change in properties, or deteriorate.

3 Precautions for Use

- Do NOT use for any purpose other than hairdressing and beauty salon services such as hair cutting, colouring and perming services that is performed in combination with a hair processor in hairdressing and beauty salons. Otherwise, the chair may be damaged or an accident may occur.
- This product is designed for use in hairdressing and beauty salons and is to be used by trained professionals only.
- Do NOT use the product outdoors.
This product is intended for indoor use only. Outdoor use may cause malfunction or damage.
- Avoid direct sunlight or excessive heat.
Avoid exposure to direct sunlight and excessive heat. It may cause discolouration, deterioration or deformation of the leather. Do NOT use the product on a heating device.
- Do NOT place anything else on the seat.
It may cause deformation, tear or corrosion of the leather. Also, do not allow leather products (bags, etc.) or vinyl-based products, leather, jeans, printed materials (books, magazines), etc. to come into close contact with the leather. Colour or ink may transfer and become stuck, and it may be impossible to remove it. Do NOT place any bag, clothes, or magazine on the seat. Otherwise, their colour or ink may stain the upholstery permanently.
- When raising and lowering the chair top, make sure that the customer is in the correct seating position. If the customer is leaning forward, have him/her fully lie back on the backrest. If you raise or lower the chair top bearing an unnatural load, the chair may make strange noises or cause malfunction.
- Keep all sharp objects away from the upholstery.
Touching with sharp objects such as scissors may tear the leather or damage it.
- Do NOT try to turn the chair top with the adjuster on the floor. A fall-prevention adjuster is on the underside of the footrest.
- Do NOT try to turn the chair top with the customer sitting on the seat edge. The adjuster may touch the floor, preventing the chair top from rotating, causing the chair to stop working, or damaging the floor.
When seating a customer, help him/her sit correctly.
- When rotating the chair top, be careful not to let the customer's feet

become caught between the footrest and the foot pedal. Do NOT carelessly spin the chair top. If you turn it when the customer's feet are not on the footrest, they may become caught between the footrest and the foot pedal.

- Avoid contact with the hair processor.
When using with a hair processor, be careful not to allow the chair and hair processor to come into contact with each other. Continued use may cause discolouration, alteration, deformation or deterioration of the leather, or may cause a fire.
- Immediately wipe off any chemicals.
Wipe off any chemicals such as hair dyes as soon as possible. Failure to follow this precaution may cause discolouration, alteration or deformation. Also wipe off any chemical adhering to the floor as soon as possible. Hair colour has a very strong dyeing power, so even if you wipe it off immediately after adhesion, it may not be completely removed and the colour may remain.
- After use, be sure to wipe off any moisture from the chair. Leaving the product with moisture on it may cause malfunction, discolouration, deterioration or deformation of the chair, or dirt may not be removed.
- Do NOT peel off the product label.
If the product label is not attached to the product, repair may be refused. Never remove the product label from this product. The product label is attached to the underside of the chair top or the underside of the armrest (depends on the product model).
- Be careful of hydraulic oil adhesion on the ram.
If the chair top is raised and lowered repeatedly, hydraulic oil may adhere to the ram part. This is to protect the sliding surface, and does not affect the quality, etc. Note that hydraulic oil may adhere to the ram part if clothes, etc. come into contact with it.



4 Precautions for Handling of Synthetic Leather

Adherence of fabric dyes

The synthetic upholstery of this product may be stained by coming into contact with fabric, belts or other such attire. In order to avoid infiltration by plasticiser when colour has been adhered, apply a solution of neutral

detergent diluted by about 10% to a soft towel and wipe off the colour as soon as possible. After wiping off the colour, wipe with water, and then wipe the area dry.

Colour deterioration and staining caused by contact

- Contact with items such as other plastic parts, paints, solvents, and adhesive tape may cause changes to the surface sheen, cracking, deformation, or peeling.
- Contact with newspaper or printed materials may cause colour staining.
- Contact with printed areas such as T-shirts, jeans, etc. may cause colour transfer of dyes, etc. to the leather.
- Contact with benzene, nail polish remover, alcohol, or oil may cause the surface to discolour, dissolve, harden, soften, peel, extract plasticiser, or experience changes to its shine.
- Using bleach or sheets that use bleach may cause discolouration or changes to shine.
- When placed next to a source of excessive heat such as an iron or heater, deformation or discolouration may occur.
- Shield the product from direct sunlight with a curtain, etc. Surface changes, shrink, discolour, fade, etc. may occur.
- Heavy objects placed on the upholstery for long periods of time may leave an impression, and wrinkles that may be permanent.

5 About this Product

Do NOT use this product for any purpose other than the practices and services typically offered in hairdressing and beauty salons.

Before using this product, read the installation and operating instructions and the operating instructions of the processor or shampoo equipment used in combination, and use them safely.

When combining with the processor, be careful that the chair and the processor do not come into contact with each other. Continued use may cause discolouration, deterioration, deformation or degradation of the leather.

Upholstery

The leather upholstery of some product models is with pleats for design purposes. The pleats may vary in width, length and intervals due to the manufacturing process. For products that use soft cushioning materials, we use

upholstery that has been considered for the comfort and plumpness of the chair. Additional pleats and surface waviness may develop depending on the demands and conditions of use.

Cast-metal parts [MODEL NO. 225]

The casting parts of this product are manufactured by hand.

Casting (armrest frames, legrest frames, footrest, headrest frames, etc.) used for the external parts are hand-made one by one. The surface (casting surface) of the casting may have irregularities or spots that are unique

to the manufacturing method. Please understand that it is a manufacturing process method which takes advantage of the material characteristics of this chair. Quality is inspected thoroughly, so there is no problem in terms of function.

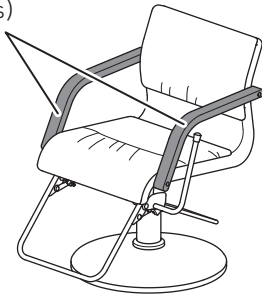
5 About this Product

Natural wood parts [VINTAGE ALT SERIES SU-S6A/SU-M6A/SU-D2A/SU-D2B, R.A.F SERIES, N-100 MUSUBI]

Some parts are made of natural wood. Natural wood features natural grain patterns, knots, and fine scratches. The surface finish and grain differ between individual parts. Natural-wood parts may have minor cracks, warps, or twists, and may vary in dimension. Please note that we cannot accept any request to replace a product or part for these reasons. Also please note that

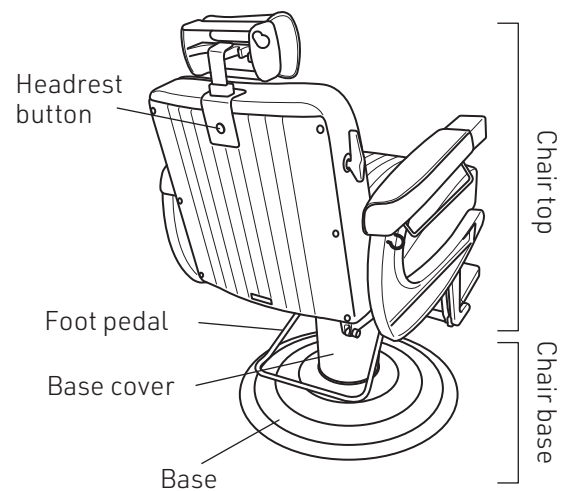
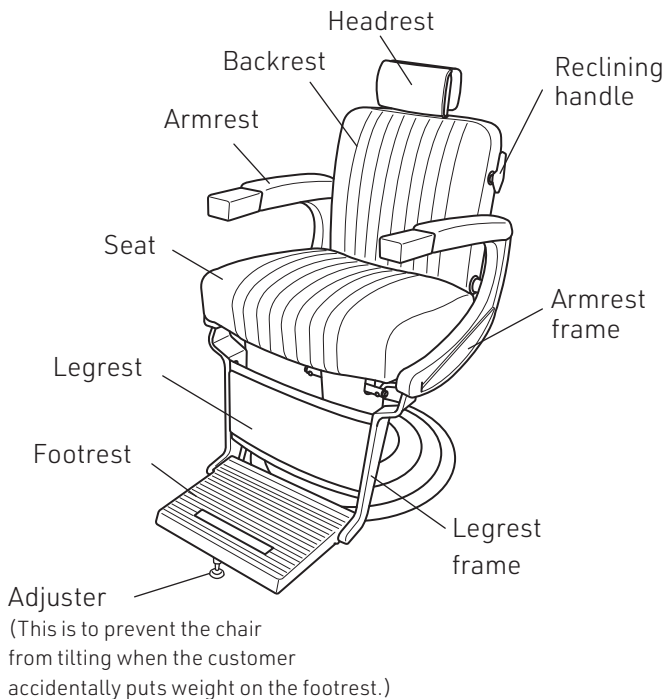
natural-wood parts are more difficult to clean, become scratched more easily, and are more vulnerable to chemicals, moisture, and dryness, and that wood grain may appear like stains. Please understand these characteristics, and enjoy the natural texture of the wood.

Natural wood parts (used for armrests, footrest, or chair frame etc. for some models)



- Avoid exposure to direct sunlight and excessive heat. Wooden surfaces may deteriorate.
- Wood will gradually turn yellow over long use.
- Wood may shrink, swell, crack or warp when drying and absorbing moisture.

6 Name of Each Parts

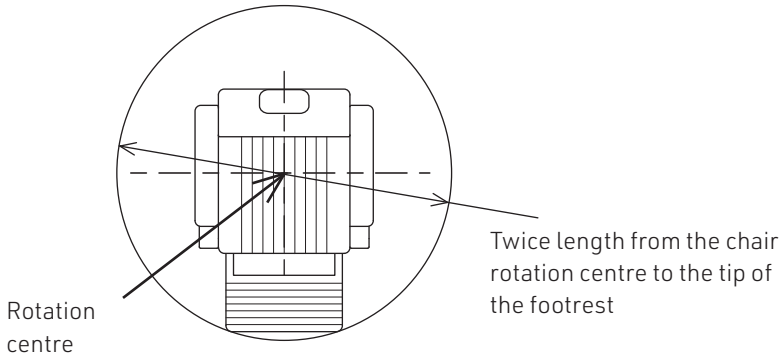


Note: the drawing is an example.

7 How to Install

Chair installation space

Before installing the chair base, ensure there is enough space for the chair top to rotate. The figure below shows the rotation range of the chair top.



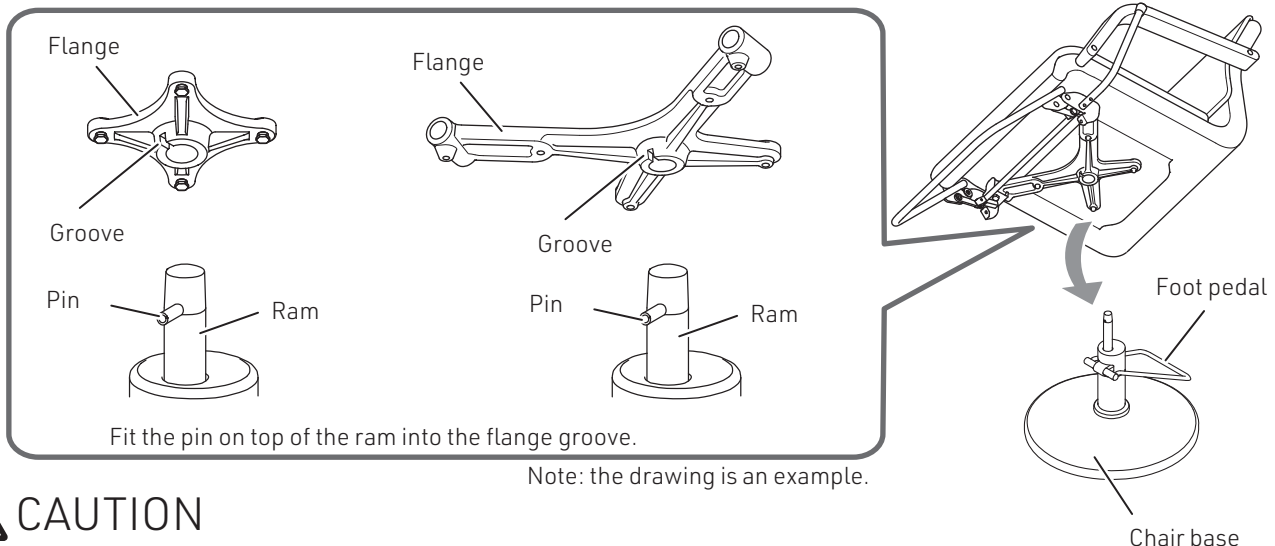
CAUTION

- Place the chair on a flat and solid floor. The chair may tip over if the chair is installed on a floor that is tilted 5 degrees or more. Also, there is a risk of chair rattling or abnormal noise due to the floor inclination or irregularity on the floor surface.
- When rotating the upper part of the chair, be sure that no one is around (especially around the footrest) and there are no objects. If it hits a person or an object, it may cause injury or damage to a chair or an object.
- Avoid exposure to direct sunlight and excessive heat. It may cause discoloration, deterioration or deformation of the leather. Do NOT use the product on a heating device. Failure to observe this warning may cause fire.
- Do NOT use the product outdoors. Doing so may cause malfunction or damage.

8 Attaching the Chair Top to the Chair Base

(1) Step on the foot pedal, raise the chair base ram to the highest position, and lock the chair base rotation. This makes the assembling work easier.

(2) Fit the pin on top of the ram into the flange groove. Check the chair top does not wobble.



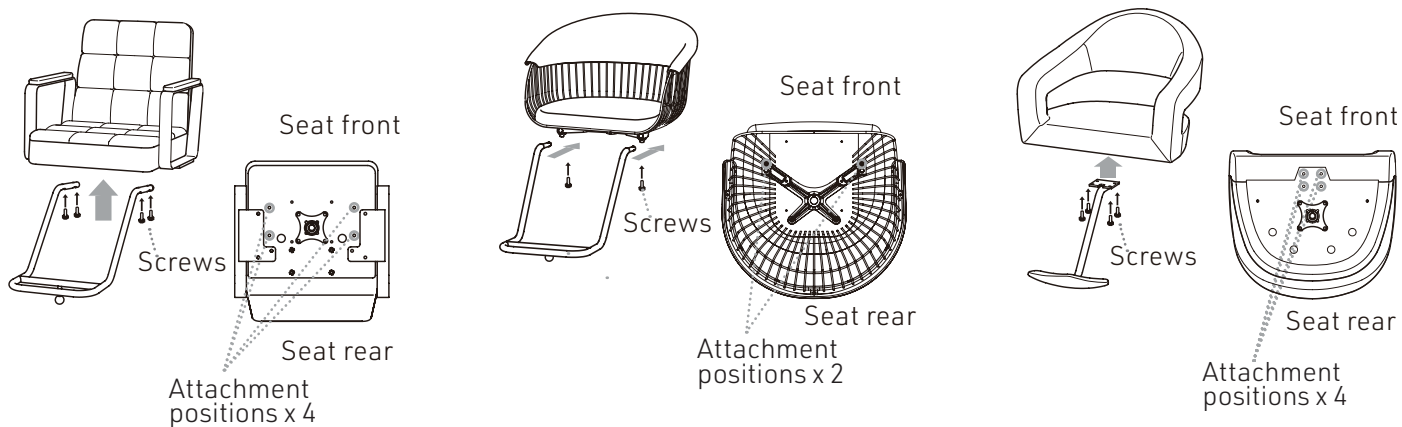
CAUTION

If the chair is used without the pin inserted firmly into the groove, the chair may fall, resulting in damage of the chair or falling accident.

9 Attaching the Footrest [Styling Chair and Shampoo Chair]

When assembling the footrest, do NOT use any hexagon head bolts or screws other than those provided by Takara Belmont (located on the underside of chair top or are in a small bag taped to the footrest).

Note: Tighten the bolts by hand, check that they go in smoothly, and tighten them with wrench.



Note: these drawings are for illustrative purposes only.

CAUTION

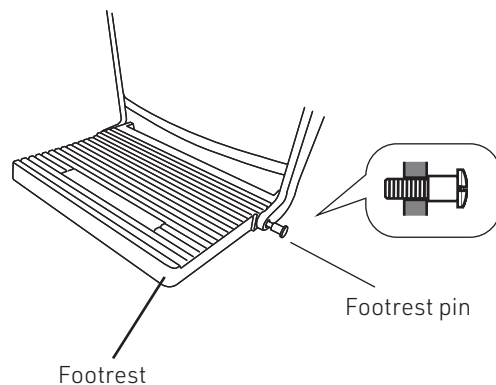
- Ensure all bolts that come with the chair are used and tightened firmly. It is dangerous to use fewer bolts or leave the footrest in a wobbly state. The chair may be damaged, resulting in injury.

- When attaching the footrest, be careful not to hit the chair and the reclining handle with the footrest or wrench. The leather may tear or the chair top and the reclining handle may become scratched.

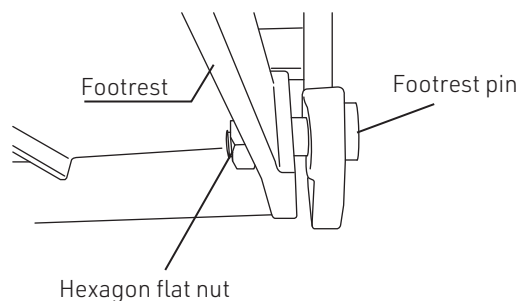
10 Attaching the Footrest [Model No. 225]

(1) Attach the footrest and tighten the footrest pins on the both sides of the footrest by using a flat-blade screwdriver.

Note: Tighten the pin so that it will contact the footrest firmly as shown in the right illustration.

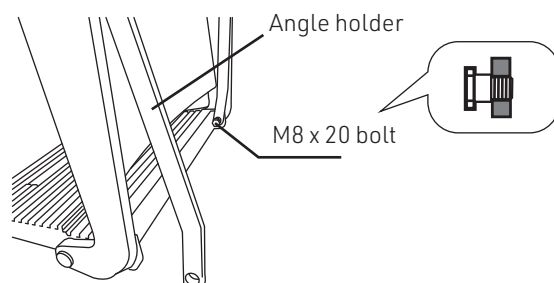


(2) Fix the footrest pin tightly with a hexagon flat nut from the opposite side of the footrest pin by using a 17 mm wrench (do the same for both sides).



(3) Fix the angle holder to footrest with a M8 x 20 bolt by using a 14 mm wrench. (do the same for both sides)

Note: Tighten the pin so that it will contact the footrest firmly as shown in the right illustration.

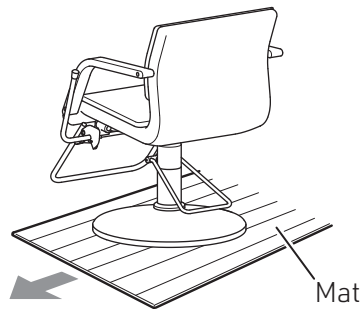


11 Moving the Chair

Tilt the chair to one side, and lay a mat under it, that does not damage the floor under the chair base.



While holding the chair to prevent it from falling, place the chair base on the mat and pull the mat to move it.



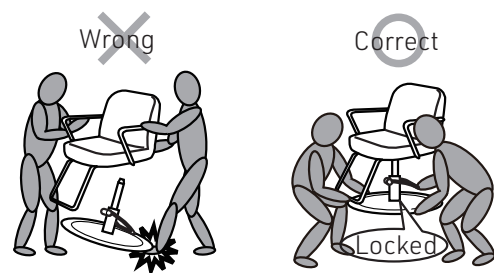
Pull the mat

CAUTION

Never drag the chair when it is moved without a mat.
Dragging and moving without placing a mat may scratch the floor, or cause damage or even break the chair.

WARNING

- Do NOT move the chair with a customer sitting in it. The chair or customer may tip over, resulting in injury or breakage of the chair.
- When lifting and carrying the chair, be sure to lock the rotation of the chair base and move it by holding the base with two persons. Holding only the chair top and carrying it may cause the chair base to come off and cause injury. Also, keep your hands off the metal parts on the underside of the chair top to avoid injury. Otherwise, you may be injured.



12 Using the Chair

Guiding a Customer

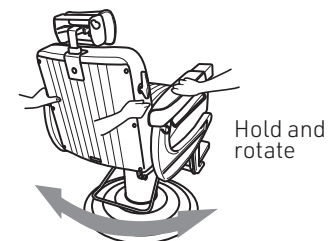
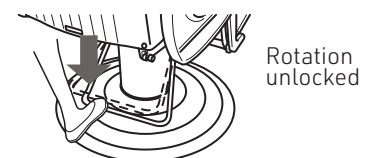
Rotate the chair top towards the customer for easy access. Guide the customer into the chair. When do so, lower the chair top to the lowest position to let the customer sit down easily.

How to rotate:

(1) Press lightly on the foot pedal to unlock it.
The chair is ready for rotation.

(2) Rotate the chair top.
Hold the backrest or armrest to rotate. Rotates 360 degrees freely.

(3) Lock to the working position.
Stop in the working position and gently press the foot pedal upwards with your foot. The chair is locked to prevent it from rotating.



WARNING

When rotating the chair top, be sure to check that there are no people or objects around it (especially around the footrest). If it hits a person or object, the chair or object may be damaged or injured.

CAUTION

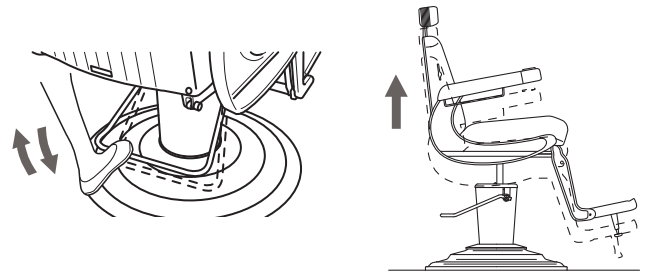
After rotating the chair, be sure to lift the centre of the foot pedal with your foot to lock the chair rotation.

Raising or Lowering the Chair Top

(1) When raising the chair

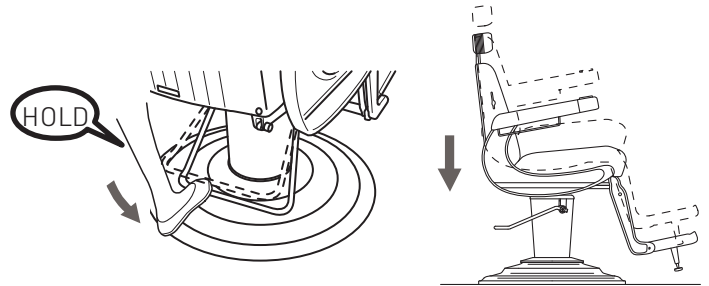
When raising the chair, gradually raise it by lightly stepping on the foot pedal continuously.

Note: Do NOT press down the foot pedal too much, the chair will be lowered.



(2) When lowering the chair

When lowering the chair, press the foot pedal down and hold. The chair descends when the foot pedal is pressed down.



WARNING

- When raising or lowering the chair top, make sure that no one is in the area around the chair or footrest before operating. The chair is very heavy and can cause serious injuries if it gets caught.

- The rotation lock is released when raising or lowering the chair top. After raising and lowering, be sure to raise and lock the centre of the foot

pedal with your foot for safety.

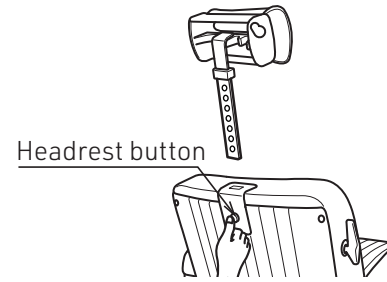
- Do NOT allow customer to sit on the front edge of the seat or stand on the footrest when the chair is raised. Otherwise, the chair may tip over, resulting in damage of the chair or injury.

CAUTION

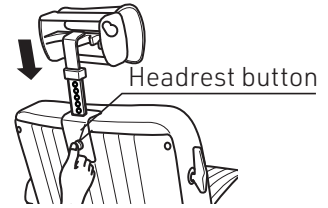
Do NOT operate the chair with a person steps on the footrest. Doing so may cause abnormal noise or other malfunctions.

Attaching, Adjusting or Removing the Headrest

(1) Insert the headrest while pressing the headrest button. It cannot be inserted unless the headrest button is pressed.



(2) Adjust to the height of the customer's head. The headrest height is adjustable. When pulling the headrest, it can be moved without pressing the headrest button. If the headrest is pulled up too much, push the headrest button down once and then adjust it. The position where you hear a click sound when pulling up the headrest is the fixed position.



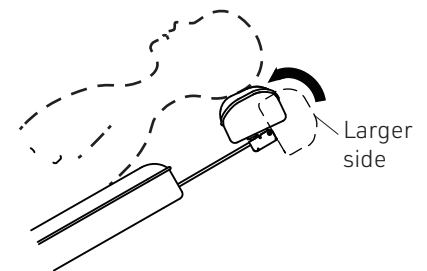
Note: Make sure the headrest button clicks into the hole. If it is not firmly fitted in the hole, the headrest may come off during the operation, which is extremely dangerous.

Note: the drawing is an example.

Flipping the headrest (VINTAGE ALT SERIES SU-M6A and SU-M6B only)

(1) Flip the headrest to so that its larger side comes into contact with the customer's nape.

(2) You can easily flip the headrest by hand because it has neither a lock mechanism nor a flipping speed regulating function.



WARNING

- Never use the headrest in any position other than the normal adjustment positions. If the headrest moves during shaving or cutting services, there is a risk of causing serious danger or injury to the customer.
- When attaching/detaching the headrest or adjusting the height, pay

close attention to the hands or fingers of the customer and practitioner or the hair of the customer. If hands, fingers, hair, etc., get caught, there is a danger of a serious injury.

CAUTION

- In the case of a backwash, if the backrest is reclined with the headrest inserted, the chair or wash unit may be damaged or the customer may be injured.
- Be careful not to lift up the headrest too much when adjusting the height of the headrest.
- Be careful when touching the metal part of the headrest. Otherwise, you

may be injured by cutting your finger.

- [SU-M6A and SU-M6B only] Before use, flip the headrest so its larger side comes into contact with the customer's nape. Otherwise, the headrest may accidentally turn while in use or the chair may become damaged and cause injury.

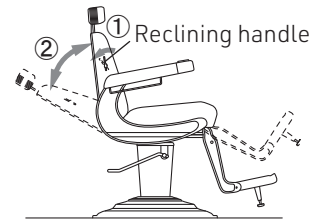
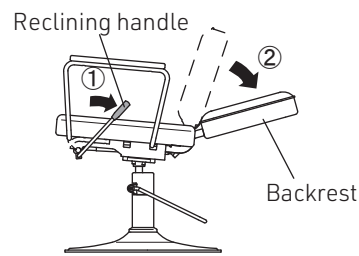
Reclining or Raising the Backrest

The backrest can be unlocked and movable only while the reclining handle is turned in the direction shown in the figure.

(1) Reclining the backrest

Turn the reclining handle in the direction shown by arrow ① in the figure on the right.

While holding the headrest, recline it slowly (arrow ② in the figure).



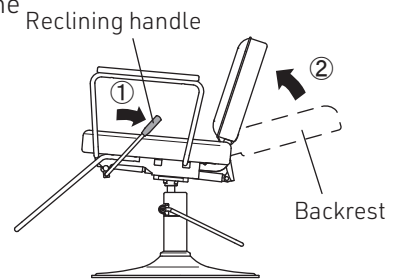
Note: the drawing is Model No. 225.

(2) Returning the backrest

With the reclining handle is depressed (as shown by arrow ① in the right figure), return the backrest while holding the customer's head with your hand (as shown by arrow ②).

- Releasing the reclining handle will stop the backrest and lock it in place.
- The backrest will return on its own unless the customer is leaning against it.

Note: The direction of turning the reclining handle is the same regardless of whether you recline or return the backrest.



Note: the drawing is an example.

[Model No. 225 only]

Return the backrest while holding it. (No need to use the reclining handle.)

⚠ WARNING

- When raising or lowering the chair top or reclining/raising the backrest, be sure that there are no hands, fingers, or hair in the gaps of the chair before operating the chair. Failure to follow this instruction may cause abnormal operation, resulting in injury.
- Do NOT recline or raise the backrest during the treatment. Especially, if the backrest is reclined during the hair cutting, it may contact with scissors, resulting in breakage of the chair or injury.
- When performing back wash, hold the customer's head with your hand slowly when reclining or raising the backrest. Otherwise, the customer may be injured by hitting his/her head against the shampoo bowl.
- If the customer is quickly laid down on the backrest or raised, the chair

may become unbalanced and fall. Especially when the chair top is at the higher position, be careful because the chair is likely to become unstable and may fall over.

- Be careful not to let the customer or others touch the reclining handle or the foot pedal during the treatment. If the backrest is unlocked accidentally, the chair may lose balance and fall over due to the force of the backrest reclining. Especially when the chair top is raised, be careful because the chair is likely to become more unstable and may fall over.
- Do NOT raise the backrest during the treatment. The cape may become trapped between the backrest and the bowl, squeezing the customer's neck.

⚠ CAUTION

- When raising the backrest, make sure that there are no people or objects around it before operating. Otherwise, the device may be damaged or injured by contacting with persons or objects.
- Do NOT operate the reclining handle with excessive force or in the reverse direction, as the backrest can be operated by moving the reclining handle lightly. Malfunction may result.
- Do NOT allow the user to adjust the angle of the backrest. Adjustment during treatment or operation with excessive force may cause injury or

product damage.

- In the case of a backwash, if the backrest is put down with the headrest inserted, the chair or shampoo unit may be damaged or the customer may be injured.
- Do NOT rotate the chair top when the backrest is reclined. Failure to do so may hit a person or other objects around you, resulting in damage to the chair or other objects, and may result in injury.

13 Maintenance

Clean the product after use and keep it clean at all times.
Mould may occur if left dirty.

WARNING

When cleaning the product, keep your hands away from the underside of the chair top. Otherwise, you may be injured by touching the metal part.

Maintenance of each part

Leather

Wipe gently with a soft, dry towel.

If heavily soiled:

Wipe using a soft cloth with neutral detergent diluted by about 10%, then wipe it with water, and then wipe it dry thoroughly.

Metal

Wipe with a dry, soft towel.

Do NOT wipe with water, try to avoid humidity and water as these are not good for these parts. If it gets wet, wipe it off immediately, as it may cause rust.

Wooden parts [VINTAGE ALT SERIES SU-S6A/SU-M6A/SU-D2A/SU-D2B, R.A.F SERIES, N-100 MUSUBI]

Wipe gently, with a soft, dry towel.

If heavily soiled:

Wipe with tightly wrung cold or lukewarm soft damp towel. Then, wipe out with a dry soft towel to completely remove any moisture.

Wipe off any water or chemical splashes immediately. It may stain.

Apply beeswax regularly (roughly every six months).

Beeswax is available at DIY and furniture stores.

- Do NOT use the following items.

Thinner, nail polish remover, gasoline, kerosene and other volatile agents, acid, alkaline, and chlorine detergents, disinfectant solutions that are highly corrosive to metals (such as povidone-iodine solution), wax with abrasives, sponge with abrasives, etc.

- Do NOT use brushes, scourers, etc. for cleaning. Do NOT get damaged or dirty.
- When cleaning, be careful that the hydraulic oil from the ram does not adhere to the clothing.
- Do NOT try to dry the leather or wooden parts quickly with a dryer.

- Do NOT use organic solvents, abrasive cleaners or bleach, etc. to clean the parts. The surface of each part may deteriorate, change in texture, or lose their original shine.

- Do NOT apply synthetic resin wax to the wooden parts. Their surface texture may alter.

If this product has been not in use for a while, clean it before use. After cleaning, be sure to check that it works properly before use.

Disinfecting of our products

These are the information how to disinfect our product while minimising the impact on the product during use.

Using disinfectants

Refer to the table below and consider the impact on the product and use appropriate disinfection solution for equipment such as hairdressing chairs, wash units, and

processors.

Note: Do NOT use the product on any part that has already deteriorated or is abnormal.

	Synthetic leather	Plastic	Porcelain	Wooden part	Metal part	Natural leather
Sodium hypochlorite solution	○	○	○	○	×	×
Alcohol disinfectant	×	×	×	×	○	×

[Important note 1]

Natural leather: Can easily absorb disinfection solution, and deterioration such as deterioration and discoloration will occur.

Disinfection Method (do not spray disinfectant directly)

If you spray the disinfectant directly on the product, it will invade the inside of the product and may cause a malfunction.

●Parts that cannot be washed with water (equipment exterior, etc.)

Wipe each part with a towel soaked in disinfectant and wrung tightly, and then wipe out with a towel moistened with water and wrung tightly so that no disinfectant or water remains.

Note: If the disinfectant comes into contact with the skin, it may cause inflammation. Wipe thoroughly so that no disinfectant remains.

●Parts that can be washed with water (especially parts that come into direct contact with the skin such as neck cushions.)

Rinse the dirt with running water in advance, and then disinfect with a

disinfectant solution that matches the material in the same way as for "parts that cannot be washed with water". Then wipe with a towel moistened with water and rinse gently with running water so that no disinfectant remains. Then wipe it off.

Note: If the disinfectant comes into contact with the skin, it may cause inflammation. Rinse gently with running water so that no disinfectant remains, and then wipe off.

Note: If the disinfectant remains for a long time, adverse effects are likely to occur, so it is important to wash it off so that the disinfectant does not remain, and wipe it off to reduce the effect on the equipment.

[Important note 2]

• The exterior is not covered by the warranty. Please note that alcohol disinfectant may cause hardening and discoloration of leather and resin, and sodium hypochlorite solution may cause discoloration of leather and corrosion of metal parts.

Before use, please make a judgment as to whether or not it can be used, such as by checking it in an inconspicuous place, and follow the procedure of "Disinfection method". For other handling and maintenance, please refer to precautions contained in this booklet.

Note: Please refer to the above precautions of recommended disinfectants and observe disinfectants according to the regulations of each country.

13 Maintenance

Use of hair setting agents

- When using hair setting spray (especially the strong-hold variety):

After use, check that no hair setting agent is adhered to the outer surface (including the leather part) of the whole product. If it is adhered, wipe it off immediately. If left unremoved, the liquid will harden and roughen the surface.

Note: If the hair setting agent gets stuck, wipe it off with ethanol.

However, if you repeatedly wipe each part with ethanol over and over, the following may occur.

- Deterioration of part surfaces
- Decreased shine of parts
- Paint peeling (generation of rust from peeled off part)
- Crack in the leather part (synthetic leather)
- Partial discolouration of the leather

In order to prevent these problems, it is the best prevention to quickly wipe off any hair setting agent when it gets stuck.

- When using an oil-based hair-setting agent:

If the product is left untouched with an oil-based hair setting agent on your hands or other parts, touching the outer surface (including the leather part) of the entire product may result in stains or blemishes. Wipe off any hair setting agent as soon as possible.

14 Daily Inspections

To use the product safely, please conduct the following daily inspections.



WARNING

Be sure to conduct daily inspections listed below. Failure to perform daily inspections may result in injury or damage to the product, devices and equipment near it.

Daily Inspection Guide

Inspection item	How to Inspect	If these problems are identified
Is the chair top, the footrest or the headrest wobbly?	Gently push or shake the chair top, the footrest and the headrest from left to right and up and down, and check it does not wobble.	The product may not work properly, become damaged, or fall. Immediately stop using it and contact your local Takara Belmont dealer.
Is the leather upholstery torn?	Check the leather seams are not lifted.	
Does the chair work properly?	Check that stepping on the foot pedal raises and lowers the chair top, and turning the reclining handle reclines and returns the backrest.	It may not be safe to sit on or rise from the chair. If the chair does not work properly, immediately stop using it and contact your local Takara Belmont dealer.
	Check that the chair top does not sink on its own but stays fixed at its level for a while.	If the chair top does not stay fixed at its level but sinks on its own, immediately stop using it and contact your local Takara Belmont dealer.
	Check that the chair does not wobble or make strange noises during operation.	If the chair wobbles or makes strange noises during operation, immediately stop using it and contact your local Takara Belmont dealer.
	Check that the backrest does not move on its own but stays fixed at its angle.	If the backrest does not stay where it is, immediately stop using it and contact your local Takara Belmont dealer.
	Raise and lower the headrest, and check that it stays at each of the desired preset levels.	The product may not work properly or may become damaged, or a customer may fall accidentally. Immediately stop using it and contact your local Takara Belmont dealer.
	Gently push the headrest down, and check that it does not go down but stays at each of the adjustable and desired levels.	The product may not work properly or may become damaged, or a customer may fall accidentally. Immediately stop using it and contact your local Takara Belmont dealer.
Is oil leaking out?	Check that no oil is dripping onto the base or seeping through the pump cover.	Hydraulic parts may be leaking. Stop use and contact your local Takara Belmont dealer.

15 Standard Period of Use

- The standard period of use of this product is seven years.
- The standard period of use is "a guide for the standard period that this product can be used properly from a safety perspective, when conducting appropriate maintenance and inspections (including parts replacement) for the standard usage conditions for each

product."

Note: this is not a warranty period. The "standard period" will vary depending on the environment and frequency of use of the customer. For maintenance after the standard period of use has expired, contact your local Takara Belmont dealer.

16 Consumables

Consumables are parts that are expected to wear, deteriorate, change in external appearance, or be damaged by use. Please note that repair or replacement of these parts is not covered by warranty, and a fee will be charged. (Note: the degree and timing of wear, deterioration, and damage may vary depending on the environment and conditions used by the customer.)

If the product is worn or has deteriorated significantly or if it is damaged, inspections or parts replacement will be required. Contact your local Takara Belmont dealer immediately.

Consumables (the following parts are not covered by the warranty and will be charged)

- There are no specified parts for this product.

In addition, the following exterior parts are not covered by the warranty, including scratches, dirt, deterioration, fading, and rust on the exterior.

- Upholstered parts (backrest/seat/armrests), footrest

17 Maintenance Service Parts and Replacement Parts

We hold consumables and parts for the product for ten years after the discontinuation of the product.

Note: the maintenance service parts refer to the parts that

are required for repairing or restoring the product's physical integrity or functions to the intended optimum condition.

18 Disposing of this Product

When disposing of this product or replacement parts, treat them appropriately in accordance with the applicable laws

and regulations at the time of disposal in your country.

19 Specifications and Product Dimensions

For other specifications and product dimensions, please refer to the separate document for each product.

Operating environment	Operating temperature: 10 - 40°C Operating humidity: Up to 95% (with no condensation)
Maximum load (human-body load)	1350N (135kgf)



WARNING

California Proposition 65

Cancer and Reproductive Harm - www.P65Warnings.ca.gov.

**TAKARA
BELMONT**

TAKARA BELMONT CORPORATION

1-1, 2-Chome, Higashi-shinsaibashi, Chuo-ku, Osaka, Japan

TEL: +81-6-6213-5945

FAX: +81-6-6212-3680

Printed in Japan