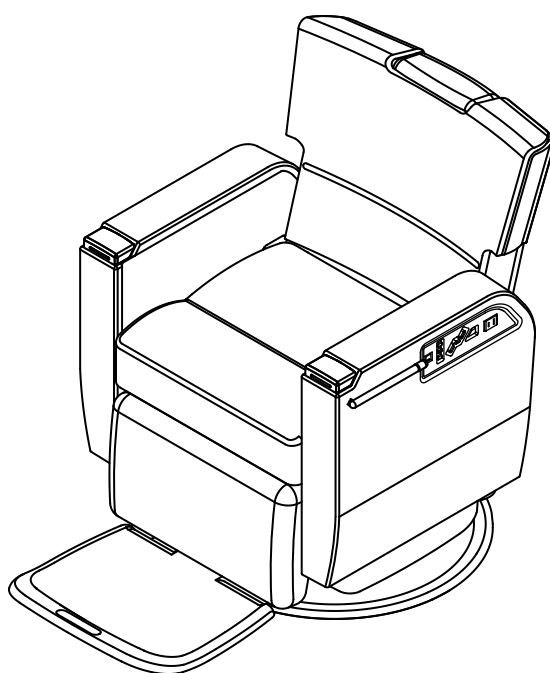


Takara Belmont Barber Chair

# BRAMU

Model No. AB-BR

## Operation Manual



Thank you for purchasing this Takara Belmont product.

Carefully read this operation manual to always operate this product properly according to the instructions herein.

Failure to read this operation manual may lead to accidents.

- Carefully store this operation manual in a secure location near this product where they can be readily accessed, and refer to them whenever necessary.
- This product is designed for commercial use in barber shops and beauty salons.  
Do not use this product for any purposes other than those described above.

Please inform Takara Belmont of the book number on the back cover to obtain a new operation manual if this operation manual becomes torn or damaged and unreadable, or is lost.

# Contents

## Introduction

Explanation of Warning Labels .....	3
Safety Precautions .....	4
Use Precautions .....	8
Precautions Related to Synthetic (Natural) Leather .....	9
Locations of Warning Labels .....	10
Accessories .....	10
Part Names .....	11

## Preparation

Power Supply .....	13
--------------------	----

## How to Use

Rotating the Chair .....	14
Raising/Lowering the Chair .....	15
Reclining/Raising the Backrest .....	16
Raising/Lowering the Legrest .....	18
Moving the Chair to Preset Positions .....	19
Using the Cape Holder .....	24
Using the Dryer/Iron Holder .....	25
Using the Service Outlets .....	26
Using the Heater .....	27
Accumulator .....	27
Using the Table .....	28
Using the Foot Cushion .....	28
Aligning with the Yume Swing Bowl .....	29
Removing the Step .....	30

## Care and Maintenance

Cleaning Procedures .....	31
---------------------------	----

## When Necessary

Troubleshooting .....	32
Daily Inspection .....	33
Standard Period of Use .....	35
Disposing of this Product .....	35
Declaration of Conformity .....	36
Intended use of the product .....	36
Specifications .....	37

# Explanation of Warning Labels

## ■ Before Use

Be sure to thoroughly read these precautions related to safety and operate the chair accordingly in a safe manner.



## ■ About the Precautions Listed Here

The precautions continued herein are in order to ensure safe use, and to prevent any injury to users and other persons, and to prevent any damage.





All these precautions describe important items related to safety. Be sure to always obey all the precautions contained in this manual.

Takara Belmont has absolutely no responsibility for accidents that might be caused by failure to obey "Safety Precautions", "Use Precautions" and "Precautions Related to Synthetic (Natural) Leather" resulting in injury to users and other persons, or other damage. In such cases, the responsibility of any injury and damage lies solely with the user who fails to obey the "Safety Precautions", "Use Precautions" and "Precautions Related to Synthetic (Natural) Leather" and similar precautions.

A detailed explanation of the cautionary symbols is provided below. Be sure that you fully understand their contents before reading the rest of this manual.

Classification of Precautions	Level of Harm and Damage, and Degree of Urgency
 <b>WARNING</b>	This indicates that failure to obey the corresponding warning and the resulting improper operation can result in death or serious injury.
 <b>CAUTION</b>	This indicates that failure to obey the corresponding warning and the resulting improper operation can result in mild injury, or moderate harm and damage.

The following symbols are used to describe specific indications that you must obey.

Prohibited Action Symbol	Mandatory Action Symbol
 Indicates generally prohibited actions.	 Indicates actions by general users that must be performed.
 Indicates that disassembly, repair and modification are prohibited.	 Indicates that the power plug must be removed from the socket.

# Safety Precautions (Must be Obeyed)

## **WARNING**

### Power Plug and Cord



- Do not connect the earth (ground) to the following objects.
  - Water pipes  
(Complete grounding is not possible as hard plastic pipes are widely used.)
  - Gas pipes (Can result in an explosion or fire)
  - Lightning rods and telephone dedicated grounding wire (Dangerous during lightning)
- Do not place any objects on top of the power cord.  
Damage to the power cord can cause a severed wire or short circuit, resulting in electric shock or fire.
- Do not plug or unplug with wet hands.  
Touching the power plug or outlet with a wet hand can result in electric shock.



- Use a single outlet (do not share an outlet with other plugs).  
Use an unshared 230 V AC (12 A or more) outlet with an attached ground terminal.  
Using the same outlet together with the power plug of other devices can result in abnormal heat generation and possible fire.
- Firmly insert the power plug into the outlet.  
Be sure to fully insert the power plug into the outlet until reaching the base of the plug.  
Failure to fully insert the plug or similar fault can result in a short circuit or heat generation that causes a fire.
- Hold by the power plug when unplugging.  
Do not pull the cord to remove the power plug from the outlet. Hold by the power plug at the end of the cord when removing. Removing the plug by pulling the power cord can damage the power cord, resulting in electric shock or fire.
- Be careful of power cord or plug breakage.  
Do not use any power cord or plug that is damaged, or that fits loosely when inserted into an outlet. Doing so can result in electric shock or fire.
- Securely connect to ground.  
Failure to make a ground connection can result in electric shock if there is a malfunction or short circuit.  
Consult an electrician for grounding procedures.



- Unplug the power plug when the chair is not in use.  
Turn off the power switch and remove the power plug from the outlet when the chair is not in use.  
Unexpected operation can result in an accident or fire from a short circuit due to insulation aging.

### Installation/Transport



- Installation precautions
  - Installation of this chair must be performed by specialized personnel (personnel from Takara Belmont or Takara Belmont specified representative).
  - The chair must be installed on a perfectly flat and solid floor.  
Installing the chair to a location with an angle of 5° or more can result in the chair tipping over.

# Safety Precautions (Must be Obeyed)

## **WARNING**

### Use and Cleaning Precautions



- Be careful to keep hands, fingers and other body parts of the customer and user from touching or getting close to moving parts.  
There is a danger of pinching and other physical injury.
- Do not allow a customer to lie face down on the chair.  
Sudden operation of the chair can result in injury.
- Do not stand on the edge of the step.  
Doing so could cause the chair to tip over or the step could suddenly move, resulting in injury or damage.
- Do not sit on the backrest of the chair.  
Doing so can result in injury or damage from the chair tipping over.
- Only sit in the area designated for such use.  
Never sit on the headrest, armrests, edge of the backrest, legrest, or the step, or subject these to an excessive (more than necessary) load or force with the backrest reclined.  
Doing so can result in injury or damage from the chair tipping over.
- Do not subject the leg or armrests to any excessive load or force.  
Doing so can result in injury or damage from the chair tipping over.
- Do not use in an environment where there are electromagnetic interference waves.  
Do not install the chair near equipment that generates electromagnetic waves such as communication equipment and elevators. Do not use devices that generate electromagnetic waves (such as mobile telephones) near this chair. Doing so can result in faulty operation.
- Do not wash the chair by pouring water on it.  
Washing in such a manner can result in a malfunction or electric shock.



- Do not disassemble, repair or modify the chair.
  - Disassembly or repair must only be done by a qualified service staff. Disassembly by yourself can result in an accident, a malfunction, electric shock or fire.
  - Never modify this product. Doing so is dangerous.



- Precautions when getting in and out of the chair  
Always be sure to lower the chair to the lowest position and lock the rotation when a customer is getting in or out of the chair. Be especially careful when moving a person in a wheelchair in and out of the chair, and make sure that the wheelchair is not positioned in the operating range of the chair when moving the person. Feet, casters or other parts contacting the UP/DOWN switch will cause sudden operation of the chair, resulting in injury or damage.
- Precautions regarding customers and children
  - Be careful to closely watch customers when using this chair. Be careful that customers (especially children) do not accidentally cause chair operation due to playing with the chair or accidental contact, as this can result in an unexpected accident.
  - Only allow children near this chair when they are getting their hair cut.
- Precautions when reclining/raising the backrest
  - Check that the customer's hands or arms are not between the backrest and seat before reclining the backrest. There is a danger of pinching and other physical injury.
  - Carefully recline the backrest so that the headrest or backrest will not contact any shampoo bowl or nearby equipment.
  - Before raising the backrest, check that the customer's arms or hands are not in between the backrest and armrests, and operate it safely. There is a danger of pinching and other physical injury.

# Safety Precautions (Must be Obeyed)

## **WARNING**

### Use and Cleaning Precautions



- Precautions for chair operation and changing the preset positions
  - Before operating the chair and during operation, thoroughly check that there are no bodies or limbs of persons, or possible obstacles in the operating range of the chair (ranges of seat raising/lowering, backrest reclining/raising, legrest operating directions, and seat rotation) or nearby. There is a danger of body parts being pinched by the chair, resulting in injury or damage.
  - Check that the customer is seated in the proper position before operating the chair and closely watch the customer during chair operation.
- Precautions during chair rotation
  - Make sure that no persons or objects are nearby before slowly rotating the chair.
  - Be sure to always lock (secure) chair rotation after rotating the chair.
  - Be careful of the customer when the backrest is reclined and check that the safety of the customer is ensured before rotating the chair.
  - Adjust the adjuster on the backside of the step so that the power cord is not caught or pulled, and that the chair does not tip over even when stepping on the step.
- Precautions when removing/installing the step
  - After installing the step, check that the step fixture is securely held by the guide and the step is not loose. Be careful that there is no looseness as this could result in the chair tipping over when the customer is getting in or out of the chair.
  - Be careful when lifting and carrying the step, and of where you place it because the step is heavy. Dropping the step could result in serious injury or damage the floor.
- Precautions for the service outlets
  - Be sure to fully insert the power plug of the device being used into the outlet until reaching the base of the plug. Failure to fully insert the plug or similar loose connection can result in a short circuit or heat generation that causes a fire.
  - If the connection becomes loose, immediately stop using the device plugged into the service outlet, turn off the device power switch, and remove the power plug from the outlet.  
Also, stop using the chair, turn off the power, unplug the power plug, and contact your closest dealer or Takara Belmont.
  - Remove the power plug of a device from the outlet when not using it.
  - If any water gets on a service outlet, immediately turn off the chair power switch, remove the plug, and wipe away the water. Additionally, if a substantial amount of water gets inside a service outlet, immediately remove the plug and contact your closest dealer or Takara Belmont.
  - Do not touch a service outlet with a wet hand.
- Precautions when using the heater
  - Using the heater for an extended period causes the temperature to increase, possibly resulting in burns or fire. Be sure to turn off the heater switch when not necessary.
  - Turn off the power and remove the power plug if you feel abnormal heat when touching the legrest, and contact your closest dealer or Takara Belmont.
- Precautions when using the table
  - Check that the table is securely inserted into the table securing slot before using the table. Failure to fully insert the table can result in the table falling off, causing injury and damage.
- Be sure to always perform daily inspection.  
Failure to perform daily inspection can result in injury or damage.  
Refer to "Daily Inspection" on p. 33.

# Safety Precautions (Must be Obeyed)

## **WARNING**

### Use and Cleaning Precautions



- Turn off the power switch and unplug the power plug before cleaning. Failure to do so can result in electric shock or fire. Also, sudden movement of the chair while cleaning can result in injury.
- Procedures if a power outage occurs
  - Turn off the power switch and remove the power plug of this product from the outlet in order to prevent unexpected operation when recovering from a power outage. Also turn off the power switches of all devices connected to the service outlet and remove the power plugs of devices.
  - Be extremely careful if there is a power outage when the seat is in a high position as it is not possible to lower the chair. Assist the customer in getting in and out of the chair in that position, being very careful that the customer is not injured and the chair does not tip over.

## **CAUTION**

### Use and Cleaning Precautions



- Do not allow any person whose weight exceeds 135 kg to sit in the chair. Doing so can cause the chair to tip over or faulty operation.
- Do not strongly strike or scrape the chair. Doing so can result in tearing of covers and similar damage, and faulty operation.



- Before use, confirm that every part is working normally and safely. Be constantly careful of and inspect for looseness, rattling, tilting, vibration, noise, temperature, odors and other possible problems. If you feel that something seems slightly different or not normal, immediately stop using the chair, turn off the power and unplug the power plug, and contact your closest dealer or Takara Belmont.
- Always be sure to use your hands to operate the switches. Always be sure to use your hands to operate the switches except for the foot-operated UP/DOWN and rotation lock switches. Operating with something other than your hands can result in damage or faulty operation.
- Be extremely careful not to mistake the switches when operating. The person operating the chair must pay careful attention to the surrounding area, give verbal warning, and properly operate the chair.
- Precautions when using the headrest
  - Be careful in pulling up the headrest more than necessary because doing so will make the headrest to come off the chair.
  - Be careful not to get water or any chemical on the headrest bar. Wipe off all water and chemicals immediately if any gets on these parts. Failure to do so can prevent the headrest from being securely fixed because of corrosion or degradation of friction force due to rust.
  - Be careful when operating the headrest that fingers and other body parts are not pinched between the area around the operating lever or in between the headrest and backrest.
- Precautions when using the cape holder
  - Be sure to always return it to the stored state when not in use.
  - When storing the cape holder, be careful not to pinch the customer's or your own fingers between it and the armrest.
  - The cape holder can withstand a load of 10 N (1 kgf/2.2 lbf). Using the cape holder with an excessive load can result in damage or injury.
  - When using and storing the cape holder, please rotate the cape holder with hand.

# Safety Precautions (Must be Obeyed)



## CAUTION

### Use and Cleaning Precautions



- Precautions when adjusting the step adjuster  
Be careful when the adjuster is extended that it does not scratch the floor or pull the power cord when rotating the chair.
- Precautions when using the dryer/iron holder
  - Be careful that the dryer or iron does not contact the legs or other body parts of the customer when using the dryer/iron holder.
  - The dryer/iron holder can withstand a load of up to 20 N (2 kgf/4.4 lbf). Using the holder with an excessive load can result in damage or injury.
- Immediately wipe off any chemical solutions or water that spills on the chair.  
Water or chemical adhering to a service outlet or control panel can result in faulty operation or a short circuit.  
Immediately turn off the power switch, and wipe off any chemical or water that has adhered to the product by using a dry soft cloth.
- Precautions for cleaning procedures  
The metal and mechanical parts of the chair have sharp edges. Be careful when cleaning the chair that your hands, fingers or other body parts are not injured.
- Turn off the chair power switch after you are finished using it.

## Use Precautions

- Immediately wipe off any chemical that spills on the chair.  
Immediately wipe off any chemicals adhering to the leather or pump cover.  
Failure to do so can result in deformation or discoloration.
- Do not apply heat  
Doing so can result in deformation or discoloration.
- Do not place any objects other than persons in the seat.  
Other objects can result in deformation or tearing of the leather, or corrosion.
- Recline the backrest at the end of the day  
When you have finished working for the day, lower the chair to the lowest position and completely recline the backrest. This helps to extend the service life of the chair by not applying a load to springs and cylinders.
- Do not use this chair for any applications other than hairdressing/beauty-related procedures.  
This product is designed for commercial use in barber shops and beauty salons.  
Only persons who are certified hairdressers or beauticians can be allowed to use this chair.
- Do not use outdoors.  
Doing so can result in damage.
- Contact your closest dealer or Takara Belmont if the breaker function (p. 32) frequently operates.
- The maximum load is 1,350 N (135 kgf).  
The raising speed of the seat declines as the maximum load is approached.



## Use Precautions

### ●Rivet Specifications (AB-BROS\*M, AB-BROS\*A)

Rivet installation for rivet-specification chairs is performed manually and individually for each chair, thereby possibly resulting in uneven rivet lines, the heads of rivets being sunken or raised, differences in rivet color, and other differences.

The durability and resistance to wear of rivet color is reduced in comparison with regular rivets due to an antique-style plating used to enhance the texture, also making rivets easily damaged such as if scratched by finger nails or other sharp objects, or precious metals (such as rings and watches).

### ●Discoloration of resin

Resin materials are used in external components of this product.

Carefully selected materials are used; however, discoloration may occur for reasons such as natural deterioration or the adherence of solutions. To ensure use of the product for longer period, immediately wipe off any solutions if it adheres, and avoid sunlight.

## Precautions Related to Synthetic (Natural) Leather

### ●Clothing dye adhering

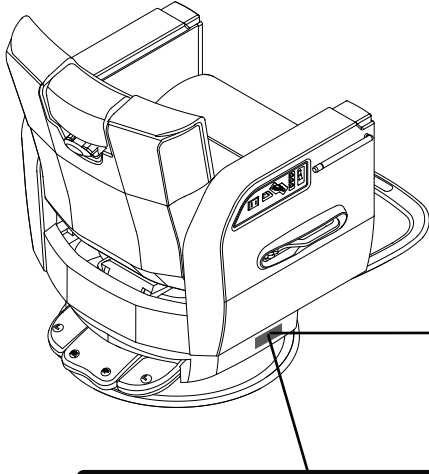
The color of clothing or belts can be transferred to the synthetic leather of this chair by means of contact. If color adheres to the leather, wipe off the stain as soon as possible before it soaks in by using a soft cloth that has been dabbed with a neutral detergent diluted with water to approximately one tenth, wipe it with a damp cloth and thoroughly wipe it dry.

### ●Precautions regarding deformation and color transfer due to contact

- Contact with other plastic parts, painted items, solvents, adhesive tape and similar items can result in changes in surface luster, cracking, deformation and peeling.
- Contact with newspaper or other printed items can result in color transfer.
- Contact with printed clothing such as t-shirts, jeans and similar items can result in color transfer such as by dye adhering to the leather.
- Adhering benzene, nail polish remover, alcohol, oil and similar substances can result in discoloration, surface dissolution, changes in luster, hardening or softening and peeling.
- Use of bleach, or use of a sheet or other cloth for which bleach has been used can result in changes in luster and color.
- Placement of an iron, heater or other excessive heat source near the chair can result in deformation and discoloration.
- Use a curtain or similar item to block the chair from exposure to direct sunlight. Exposure to direct sunlight can result in surface deformation, shrinking, discoloration, faded colors and similar problems.
- Placement of a heavy item for an extended period can result in marks or wrinkles that do not disappear after removing the item.

# SAVE THESE INSTRUCTIONS

# Locations of Warning Labels



⚠ WARNING / AVERTISSEMENT		
For public occupancy use only.	This furnishing has not been evaluated for flammability or cigarette ignition resistance.	Warning risk of injury maximum load 300 pounds.
Pour usage publique seulement.	Cet ameublement n'a pas été évalué pour les tests de flammabilité et de résistance à l'ignition par une cigarette.	Danger /Risque de blessure/ Charge maximale 300 lbs.
<b>Refer to the Operation Manual for other notes.</b>		

⚠ WARNING / AVERTISSEMENT			
Risk of pinching during the operation. Check the space below and around the chair when raising or lowering the chair and the legrest. Risque de pincement durant l'opération. Vérifier l'espace en dessous et autour de la chaise lors de l'élévation ou de la descente de la chaise ainsi que du repose jambes.	Risk of dropping of the pump. Carry the chair with holding the base and the foot pedal. Risque d'échapper la pompe. Transporter la chaise en soutenant la base et la pédale.	Risk of malfunction or a fire caused by a short circuit. Unplug the power cord when not used. Risque de malfonction ou incendie causée par un court-circuit. Débrancher le cordon d'alimentation lorsque non-utilisé.	Risk of electric shock, fire, and abnormal motion. Do not disassemble, repair or modify. Risque de choc électrique, incendie ou opération anormale. Ne pas désassembler, réparer ou modifier.
<b>Refer to the Operation Manual for other notes.</b>			

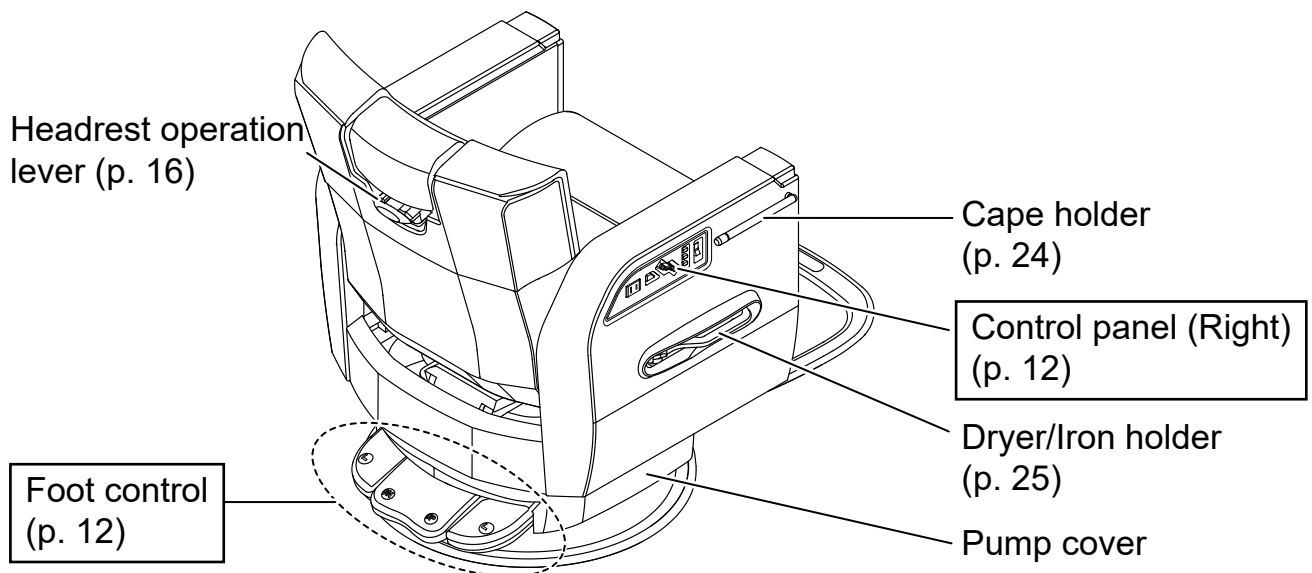
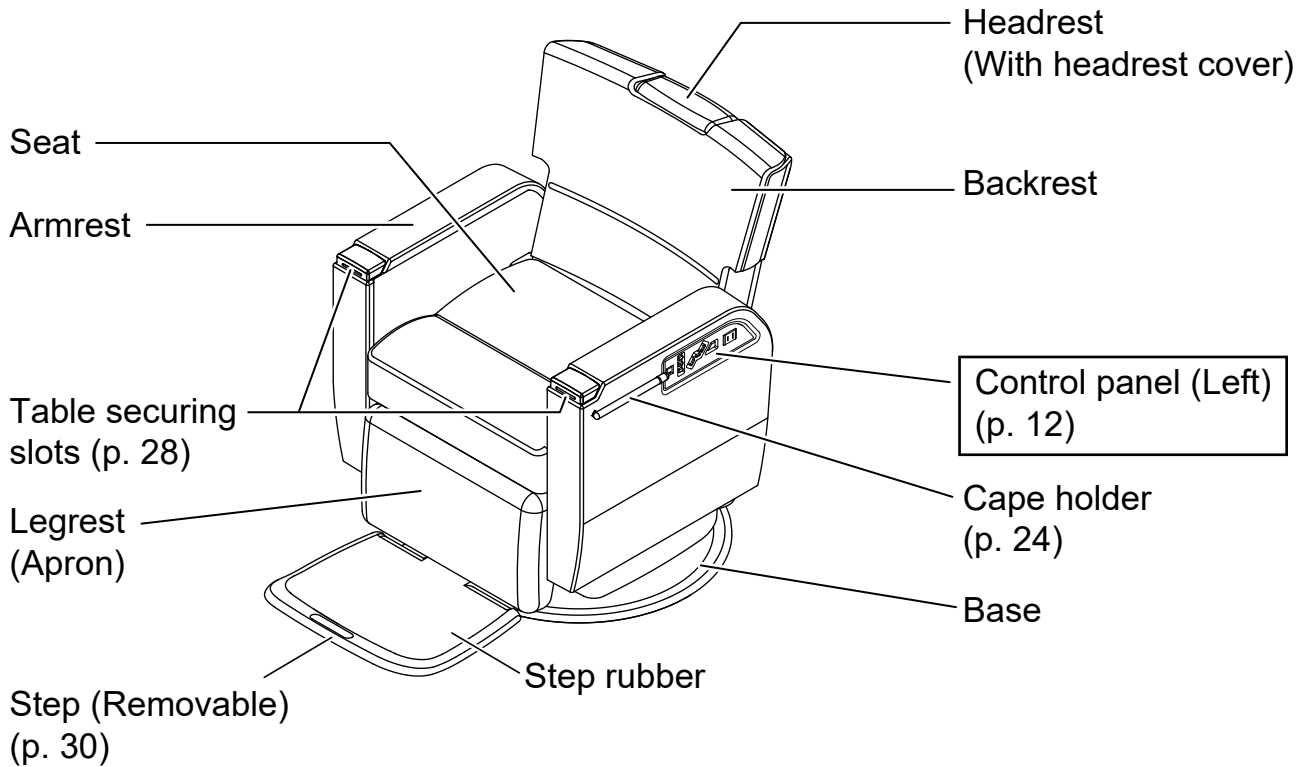
# Accessories

- Operation manual (this manual)
- Foot cushion (AB-BROSF only)
- Table

- Installation manual

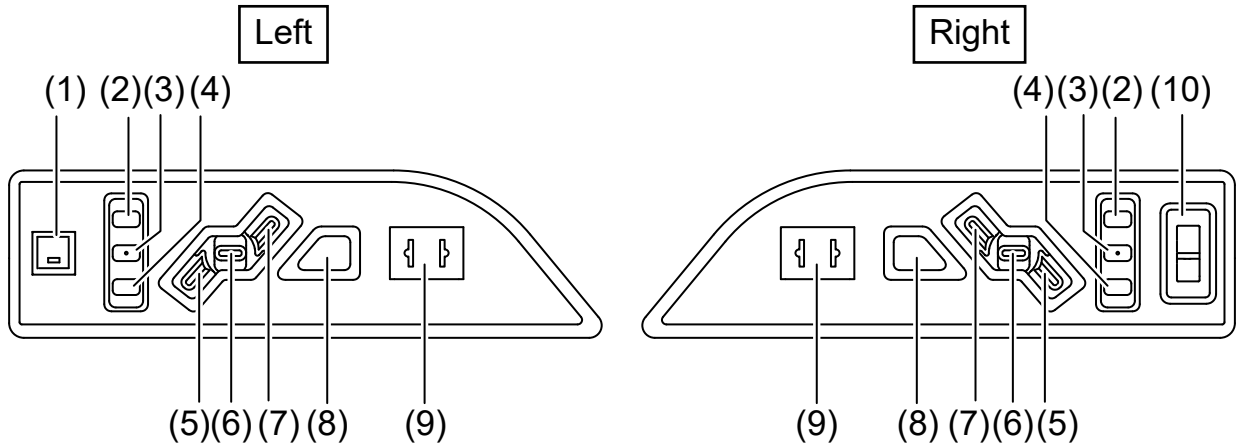
# Part Names

## Main Unit



# Part Names

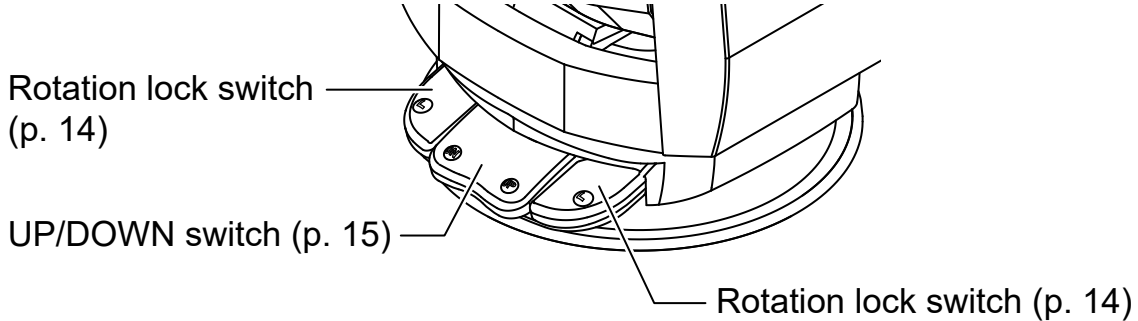
## Control Panels



- (1) Legrest heater switch
- (2) Preset switch P1
- (3) Preset switch P2
- (4) Preset switch P3
- (5) Legrest switch

- (6) UP/DOWN switch
- (7) Backrest switch
- (8) Auto-return switch
- (9) Service outlet (Type C Specification only)
- (10) Power switch (Breaker)

## Foot Control



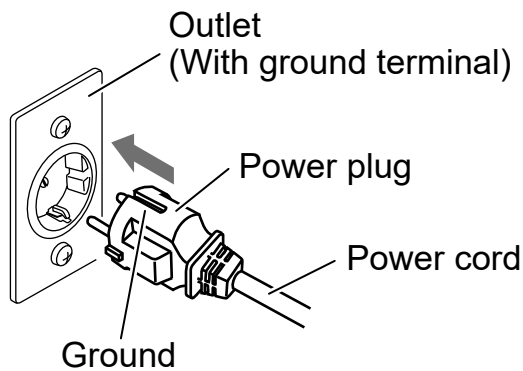
## ■Type Structure Overview AB-BR (1) (2)

	OS (One-Stop Paradise)		ST (Standard)	
	F	B	F	B
Legrest-step linked type	○		○	
Independent legrest type		○		○
Yume Swing position setting	○	○		
Accumulator (Shockless)	○	○		
Table	○	○		
Foot cushion	○			

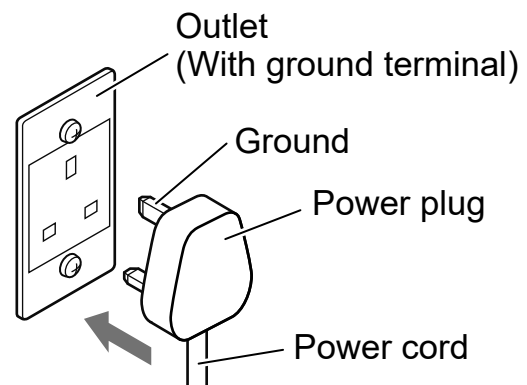
# Power Supply

## Inserting the power plug into the outlet

### Type C Specification



### Type BF Specification



Correctly insert the power plug into an outlet with a ground terminal.

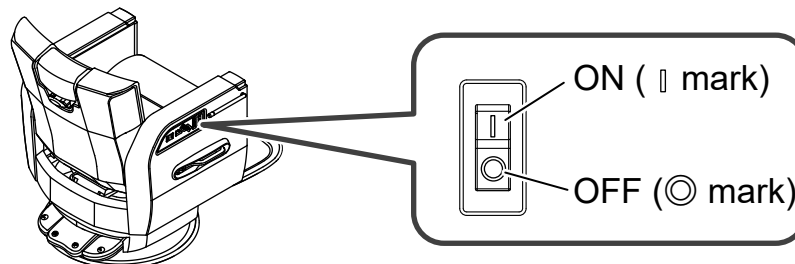
## **⚠ WARNING**

- Be sure to use a 230 V AC (12 A or more) outlet for the power supply. Do not share use of the outlet with any other electrical device.
- Be sure to fully insert the power plug into the outlet until reaching the base of the plug.
- Do not pull the cord to remove the power plug from the outlet. Hold by the power plug at the end of the cord when removing.
- Do not touch a power plug or outlet with a wet hand.
- Do not connect the earth (ground) to the following objects. Water or gas pipes, lightning rods and telephone dedicated grounding wire
- Consult an electrician for grounding procedures to ensure secure ground connections.
- Turn off the power switch and remove the power plug from the outlet when the chair is not in use.

## Turning on the power

The power switch is located on the control panel (right).

Press the side with the **I** mark to turn the power on and the side with the **⊙** mark to turn the power off.

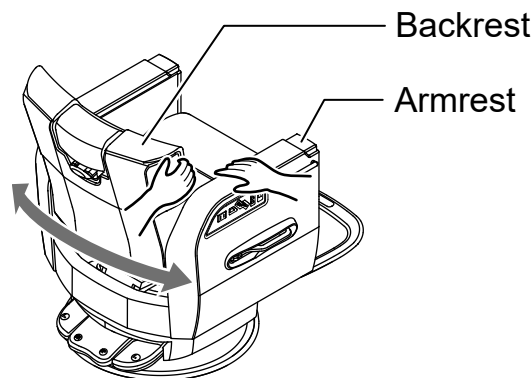
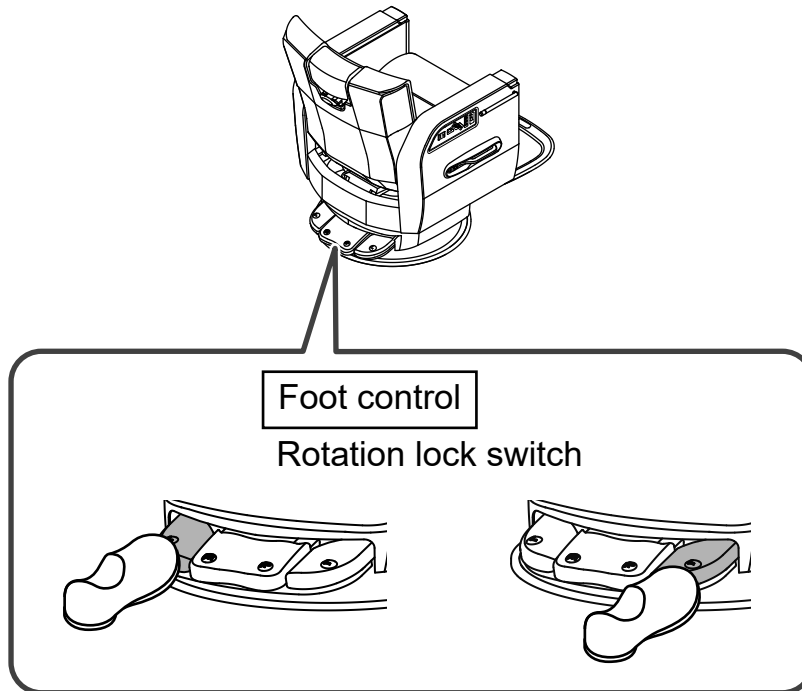


⇒ When the power is turned on with the chair rotation lock released, the chair rotation is locked automatically.

**⚠ CAUTION** Always operate the power switch by your hands only.

# Rotating the Chair

Step on the rotation lock switch when locked to release the lock and enable rotation of the chair. The rotation lock repeatedly switches between locked and released each time that the rotation lock switch is stepped on.



Hold the backrest or armrests when rotating the chair.  
(You can rotate the chair a full 360°.)

⇒ When the chair rotation lock is released, you can perform the following procedures to lock rotation.

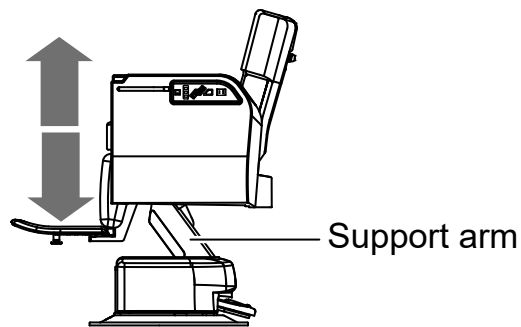
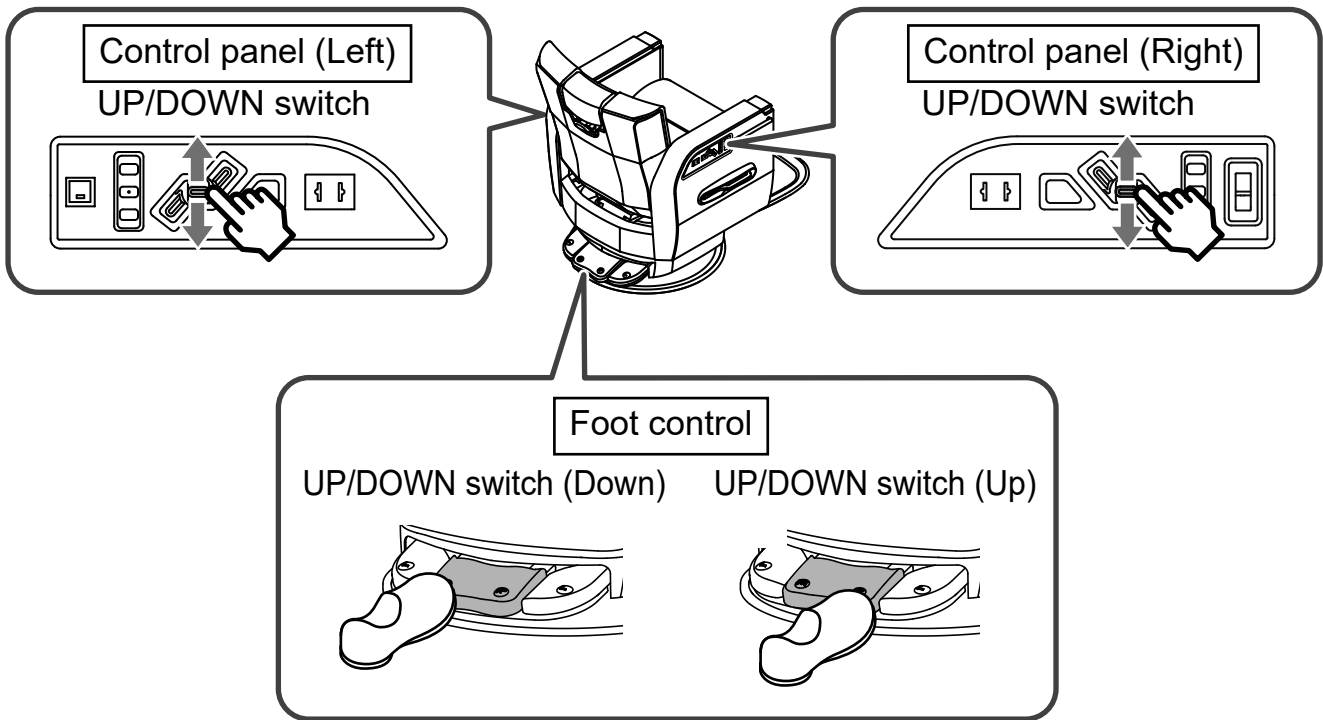
- Turn on the power switch.
- Press the switches on the foot control and control panel (except for the legrest heater switch).

## **WARNING**

- Always be sure to lower the chair to the lowest position and lock the rotation when a customer is getting in or out of the chair.
- Be careful of the following when rotating the chair in order to ensure safety.
  - Lower the chair to the lowest position.
  - Do not rotate the chair until the customer has completely sat down in the chair.
  - Always be sure that no other persons are in the surrounding area before rotating the chair, and rotate so that the step and other parts do not contact the customer or any nearby equipment.
- Always be sure to lock the chair when not rotating it.

# Raising/Lowering the Chair

You can raise and lower the chair by operating either of the switches.  
The chair moves up and down while a switch is pressed.



⇒If the chair rotation lock is released, the chair rotation is locked automatically when you press the switch.

## **WARNING**

- Before raising or lowering the chair, check that there are no body parts (especially hands or legs) or objects near the chair or step, or in the gap of the support arm.
- This chair moves backwards as it is raised and forward as it is lowered. Thoroughly check that there are no obstacles in front of or behind the chair.

# Reclining/Raising the Backrest

## Pulling out the headrest

Use the headrest when supporting the customer's head is needed, such as for shaving. Tip the headrest forward to fit it against the customer's head so that the customer will be more comfortable even if used for an extended period. Do not use the headrest if it is not needed, such as for back shampooing.

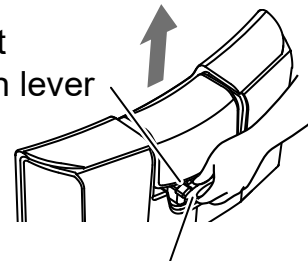
### 1 Lift up the handle and pull up the headrest.

Remove your hand at the desired position to lock the headrest there.

If the headrest is pulled too far up, return it while pressing the headrest operation lever.

\* If the headrest comes off the chair body, press and hold the headrest operation lever while inserting back the headrest bar.

Headrest operation lever



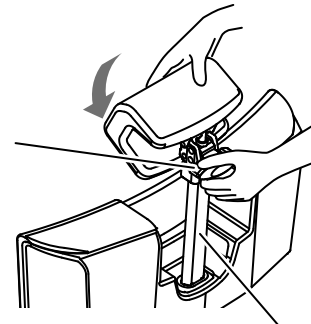
Handle

### 2 While pressing the headrest operation lever, tip the headrest forward.

The headrest can be fixed at 90 degrees.

Push the headrest over so it is at 90 degrees and release the headrest operation lever.

Press the headrest operation lever.



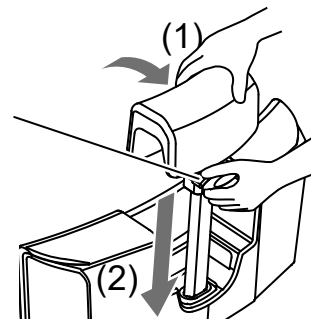
Headrest bar

### 3 Store the headrest when finished using it.

(1) While holding the handle and pressing the headrest operation lever, return the headrest to its original angle.

(2) Lower the headrest.

Press the headrest operation lever.



- Do not apply excessive force to the headrest or strike it from above when it is pulled out. Doing so can result in damage.
- Be sure to always store the headrest when performing a back shampooing. Otherwise, the shampoo bowl will interfere with the headrest possibly resulting in breakage.
- To store the headrest, return the pressed-forward headrest to its original angle before lowering the headrest. Failure to return it to its original angle before lowering it can result in a strong force being applied to the leather of the backrest and corresponding damage to the leather.

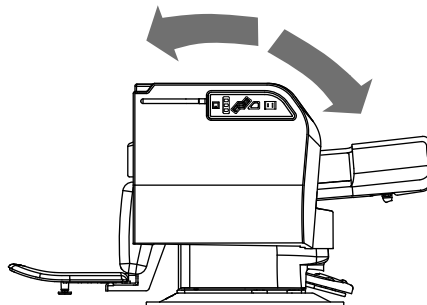
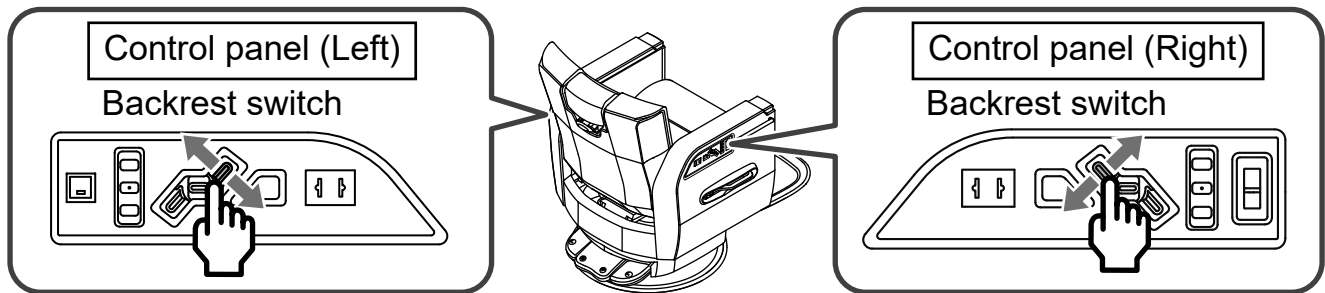
## ⚠ CAUTION

- Be careful in pulling up the headrest more than necessary because doing so will make the headrest to come off the chair.
- Be careful not to get water or any chemical on the headrest bar. Wipe off all water and chemicals immediately if any gets on these parts. Failure to do so can prevent the headrest from being securely fixed because of corrosion or degradation of friction force due to rust.
- Be careful when operating the headrest that fingers and other body parts are not pinched between the area around the operating lever or in between the headrest and backrest.



# Reclining/Raising the Backrest

You can raise and recline the backrest by operating either of the switches.  
The backrest rises or declines while the switch is pressed.



⇒If the chair rotation lock is released, the chair rotation is locked automatically when you press the switch.

When you recline the backrest without using the headrest, support the customer's head with your hand so that the customer will not contact with the shampoo bowl.

## **WARNING**

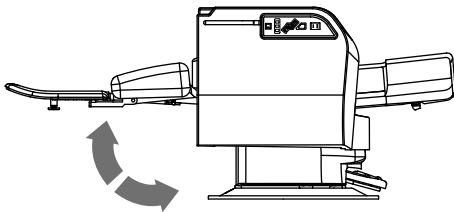
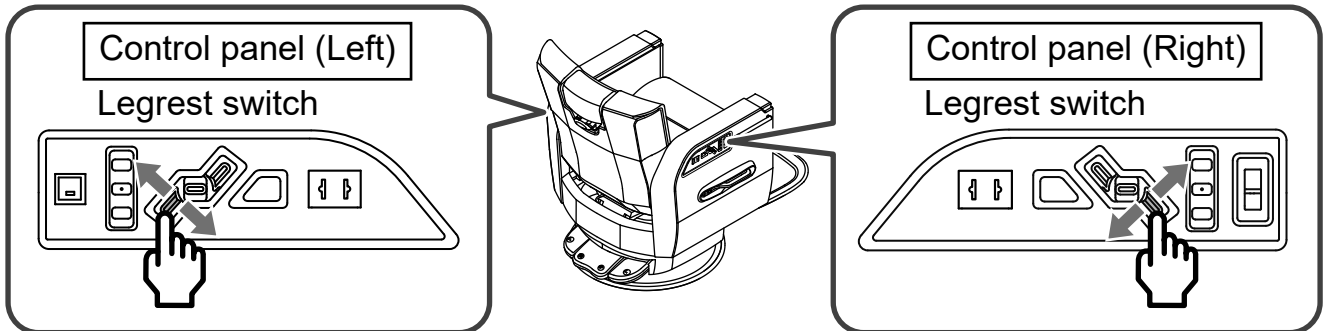
- Check that the customer's hands or arms are not between the backrest and seat before reclining the backrest.
- Carefully recline the backrest so that the headrest or backrest will not contact any shampoo bowl or nearby equipment.
- Before raising the backrest, check that the customer's arms or hands are not in between the backrest and armrests, and operate it safely.

# Raising/Lowering the Legrest

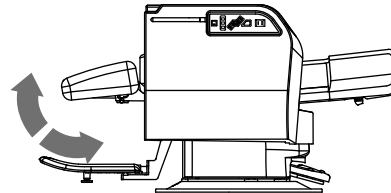
You can raise and lower the legrest by operating either of the switches.

The legrest moves up and down while a switch is pressed.

The legrest of legrest-step linked type rises and lowers together with the step.



Legrest-step linked type



Independent legrest type

⇒If the chair rotation lock is released, the chair rotation is locked automatically when you press the switch.

## **WARNING**

- Before raising the legrest (step), be very careful that the step or the customer's feet will not contact any nearby devices, and operate it safely.
- Before lowering the legrest (step), make sure that no persons or objects are under the legrest (step), and operate it safely.

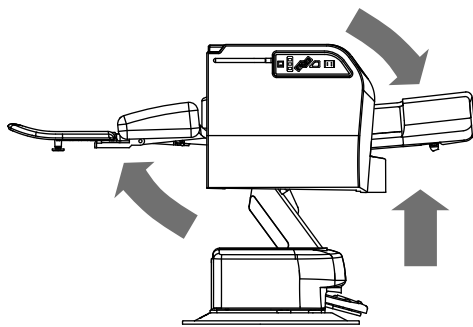
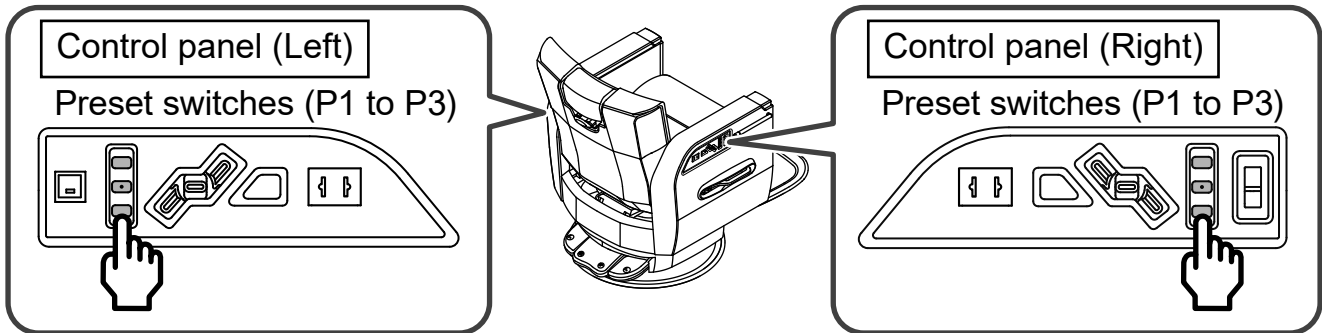
# Moving the Chair to Preset Positions

## Using the preset function

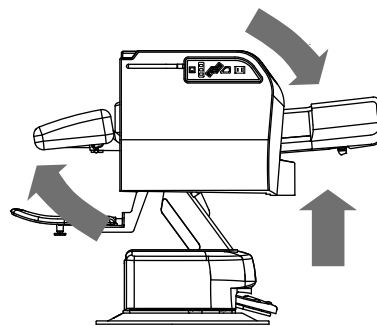
### Preset Function

Pressing the switch just once moves the chair to a preset position.

You can set up to three optional positions of this chair.



Legrest-step linked type



Independent legrest type

The chair can be moved to the preset positions for chair height, backrest angle and legrest position. The legrest of legrest-step linked type rises and lowers together with the step.

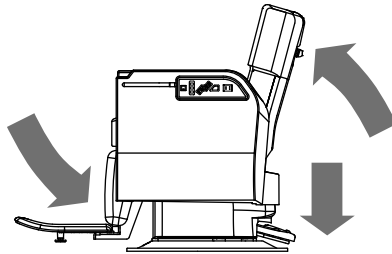
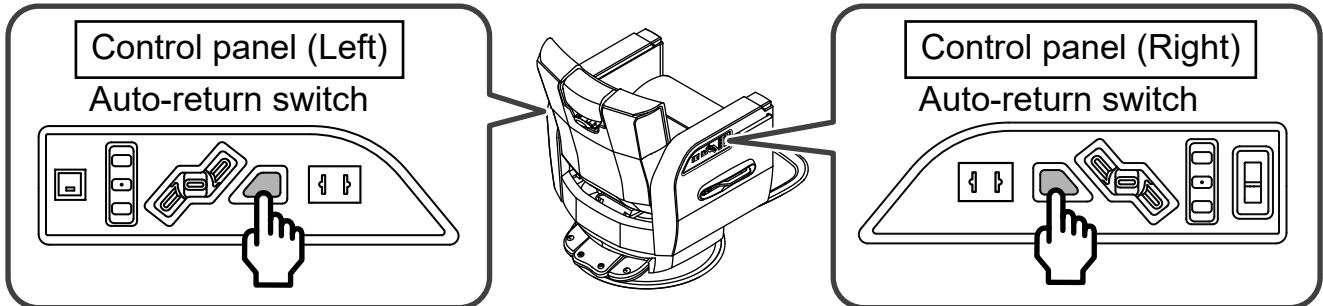
\* Pull the headrest out to the desired position beforehand if you need to use it.

⇒If the chair rotation lock is released, the chair rotation is locked automatically when you press the switch.

# Moving the Chair to Preset Positions

## Using the auto-return function

The chair height, backrest angle and legrest position return to the position for getting in/out of chair. (An electronic "pough" sound is emitted to notify you that operation is starting.)



⇒If the chair rotation lock is released, the chair rotation is locked automatically when you press the switch.



### **WARNING**

Before using the preset or auto-return functions, check that there are no body parts (especially hands or legs) or objects near the chair or step, or in the gap of the support arm.

## Canceling an operation

Press any of the switches of the foot control or control panel (except for the legrest heater switch) if you want to suspend preset/auto-return operation.

(An electronic beep is emitted when the auto-return operation is stopped (canceled).)

# Moving the Chair to Preset Positions

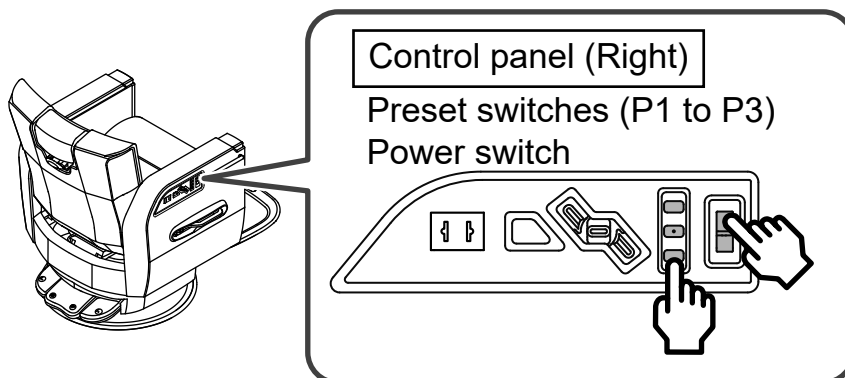
## Adjusting preset positions

Although the setting positions of the preset switches are previously set, you can change to the positions to match your needs and preferences.

Set the positions of the preset function with a person sitting in the chair.

The chair is equipped with a shockless device. Accordingly, the set positions vary slightly when a person sits in the chair if position setting is performed without a person sitting in the chair.

- 1 Move the chair to the desired seat, backrest and legrest positions, and turn the power switch off.**
- 2 While pressing the preset switch (any of P1 to P3) for which you want to set these positions, turn on the power switch.**
- 3 Continue to press and hold the preset switch for approximately three seconds.**  
An electronic beep is emitted to indicate that the position has been set.



- 4 Return the chair to the position for getting in/out of chair by using the auto-return switch, and use the preset switch for which you have changed the setting to make sure that the chair moves to the position you have set.**

# Moving the Chair to Preset Positions

## Using preset switch P3

Although the preset function of preset switch P3 can be used normally for the preset function, you can change the setting of P3 to a useful function that matches the desired customer use (last and facial positions).

\* The setting when purchased is "Normal Preset Function".

If Changing the setting of p3, see "Setting Procedures"(p.23).

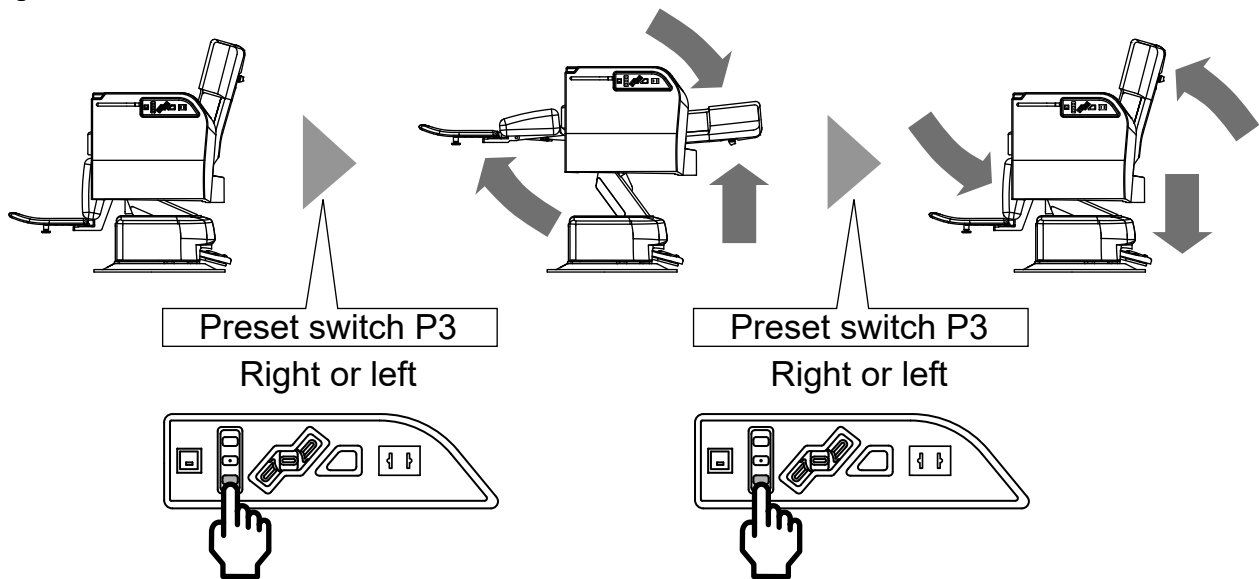
### <Last Position Function>

You can use this function after you have finished cutting hair and moved the chair to the shampoo position by using preset switch P3. Press preset switch P3 again to return the chair to the position used for the cut.

This function is useful because you do not need to readjust the chair to the cut position, making for smooth and easy cutting.

Press preset switch P3 to move the chair to the preset position.

Press preset switch P3 again to return the chair to the position of when you previously pressed preset switch P3.

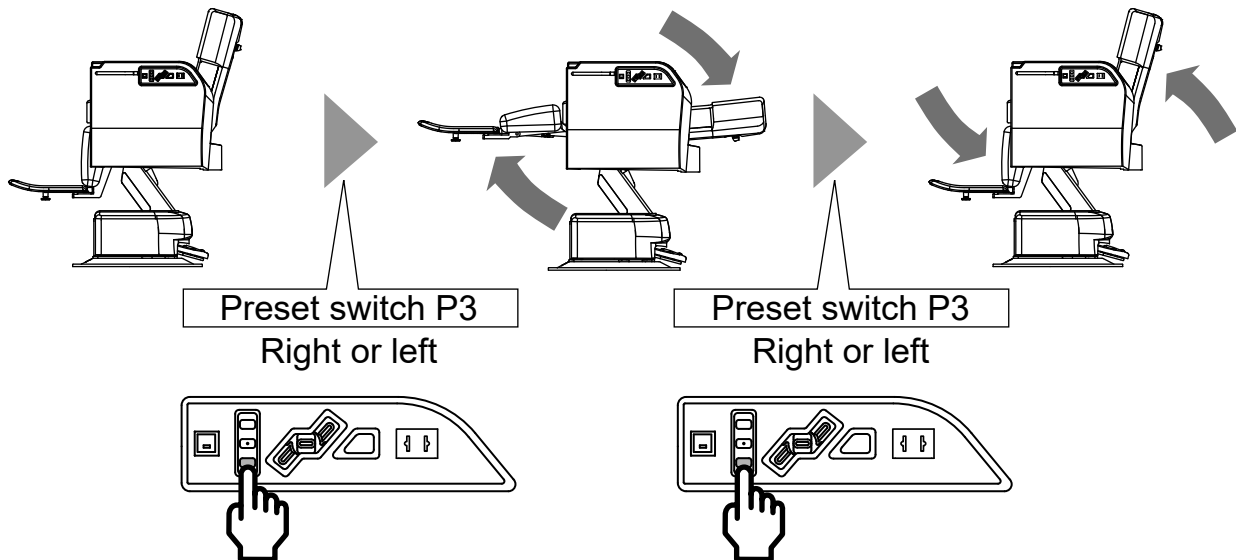


# Moving the Chair to Preset Positions

## <Facial Position Function>

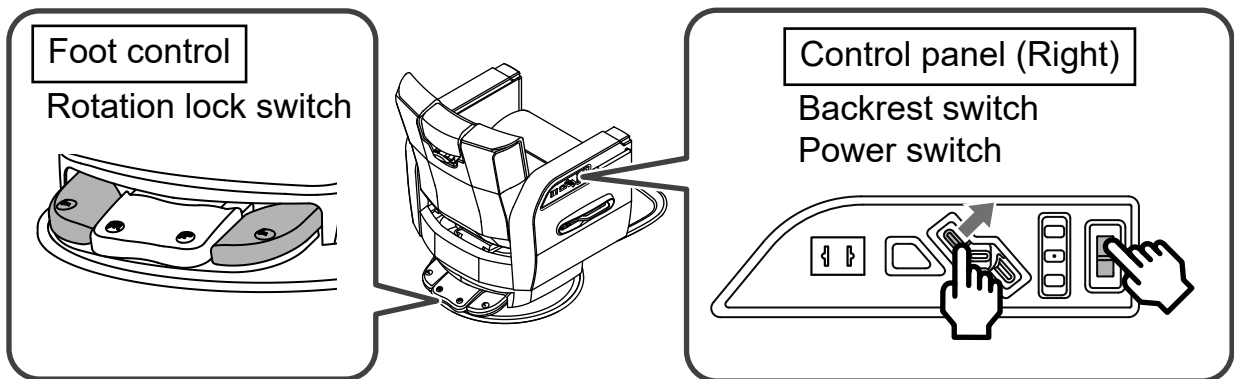
This function is useful as it allows you to recline and raise the chair without changing the chair height. For example, you can use this function if you want to reduce the work time or repeatedly check in the front mirror in the case of a facial service.

Only the backrest and legrest move to the set position (height does not change) when you press preset switch P3. Press preset switch P3 again to return the backrest and legrest to the position of when you previously pressed preset switch P3. (Height does not change.)



## <Setting Procedures>

- (1) Turn off the power switch, step on the rotation lock switch, and push the backrest switch to the raise side while turning on the power switch.



- (2) Continue to step on the rotation lock switch, and press the backrest switch for approximately three seconds until you hear any of the following electronic beeps. Check which function is set by checking the tone of the beep. The setting changes in the following order: A → B → C → A Perform procedures (1) and (2) repeatedly until reaching the desired function.

[Set Functions and Beeps]

A: Normal preset function..... High-pitched beep

B: Last position function..... Beep is repeated twice.

C: Facial position function..... Beep is repeated three times.

- (3) If setting to the last or facial position function, first adjust the set position of preset switch P3 according to "Adjusting preset positions" (p. 21).

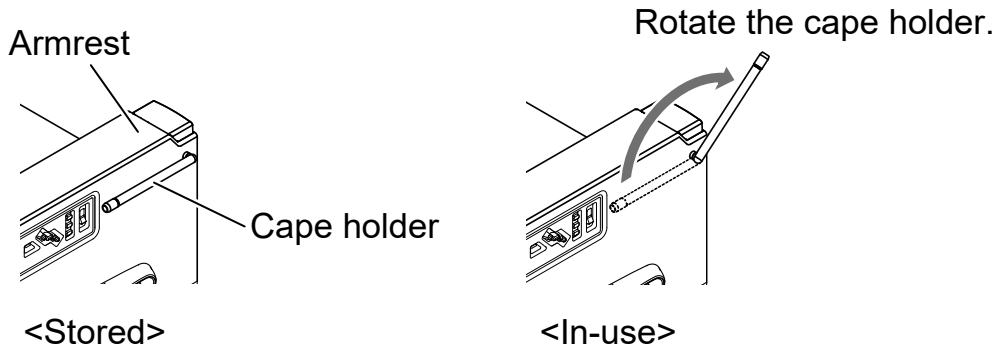
\* These settings are saved in memory even if the power switch is turned off.

# Using the Cape Holder

Using the cape holder:

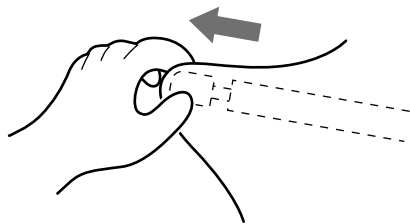
- Provides space between the customer and the cutting cape to provide good ventilation.
- Makes it easy to clean up the cut off hair.

## 1 Rotate the cape holder at the edge of the armrest forward.

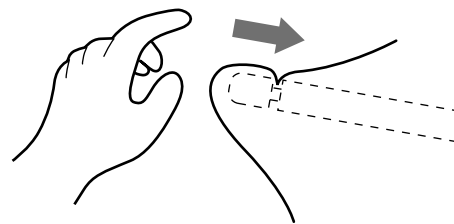


## 2 Pull out the tip of the cape holder and pinch the cutting cape between the parts.

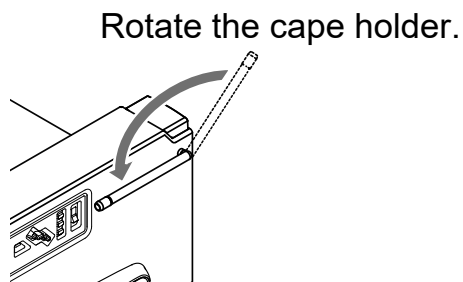
(1) Pull from the top of the cutting cape



(2) Pinch the cutting cape and release



## 3 Rotate the cape holder rearward to store it.



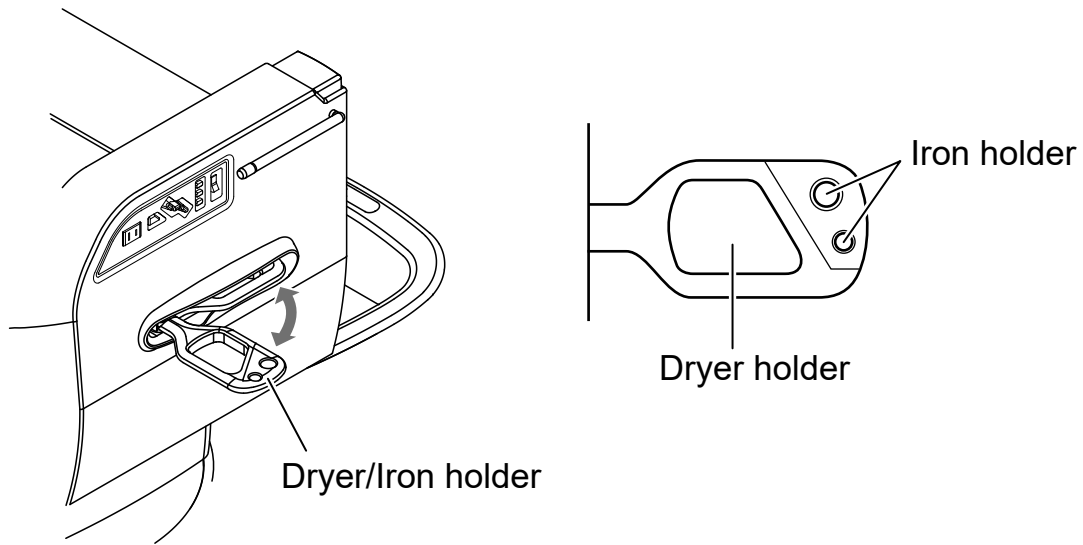
### CAUTION

- Be sure to always return it to the stored state when not in use.
- When storing the cape holder, be careful not to pinch the customer's or your own fingers between it and the armrest.
- The cape holder can withstand a load of 10 N (1 kgf/2.2 lbf). Using the holder with an excessive load can result in damage or injury.
- When using and storing the cape holder, please rotate the cape holder with hand.



# Using the Dryer/Iron Holder

Pull out the dryer/iron holder at the center of the right side of the chair.  
You can use this as a stand for a hand dryer or iron while working.



- Store the dryer/iron holder when not in use.
- Do not rotate the dryer/iron holder with a hand dryer or iron still inserted in the slot.  
Doing so can damage the chair, and the heat can cause deformation or other damage.



## CAUTION

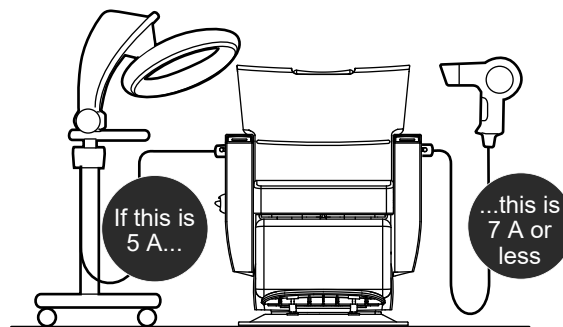
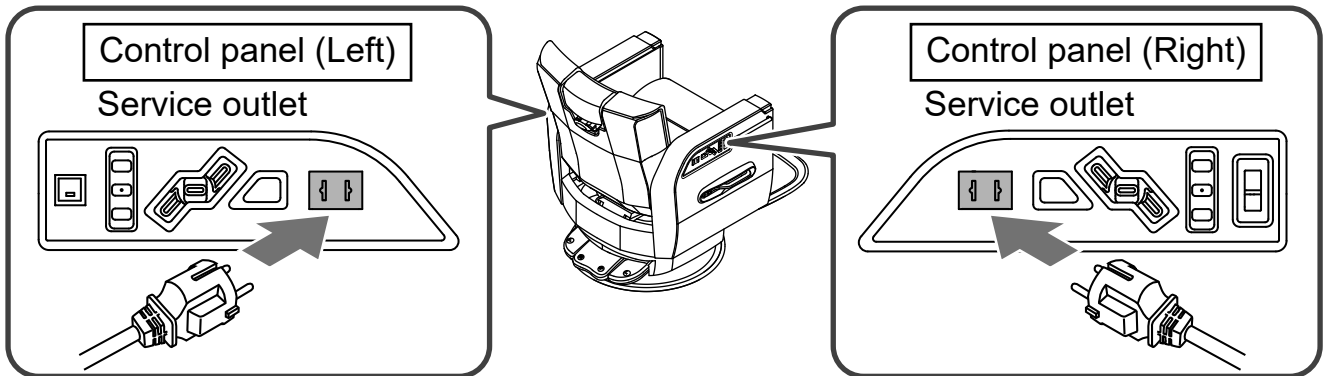
- Be careful that the dryer or iron does not contact the legs or other body parts of the customer when using the dryer/iron holder.
- The dryer/iron holder can withstand a load of up to 20 N (2 kgf/4.4 lbf).  
Using the holder with an excessive load can result in damage or injury.

# Using the Service Outlets

This chair is equipped with one service outlet each on the right and left control panels.

Total current available for use with the two service outlets is 12 A or less when not operating the chair and 9 A or less when operating the chair.

The power switch (breaker) is turned off if the current available for use is exceeded. If this occurs, stop using the connected device(s), and turn on the power switch (breaker) again.



## **WARNING**

- Be sure to fully insert the power plug of the device being used into the outlet until reaching the base of the plug. Failure to fully insert the plug or similar loose connection can result in a short circuit or heat generation that causes a fire.
- If the connection becomes loose, immediately stop using the device plugged into the service outlet, turn off the device power switch, and remove the power plug from the outlet. Also, stop using the chair, turn off the power, unplug the power plug, and contact your closest dealer or Takara Belmont.
- Remove the power plug of a device from the outlet when not using it.
- If any water gets on a service outlet, immediately turn off the chair power switch, remove the plug, and wipe away the water. Additionally, if a substantial amount of water gets inside a service outlet, immediately remove the plug and contact your closest dealer or Takara Belmont.
- Do not touch a service outlet with a wet hand.

# Using the Heater

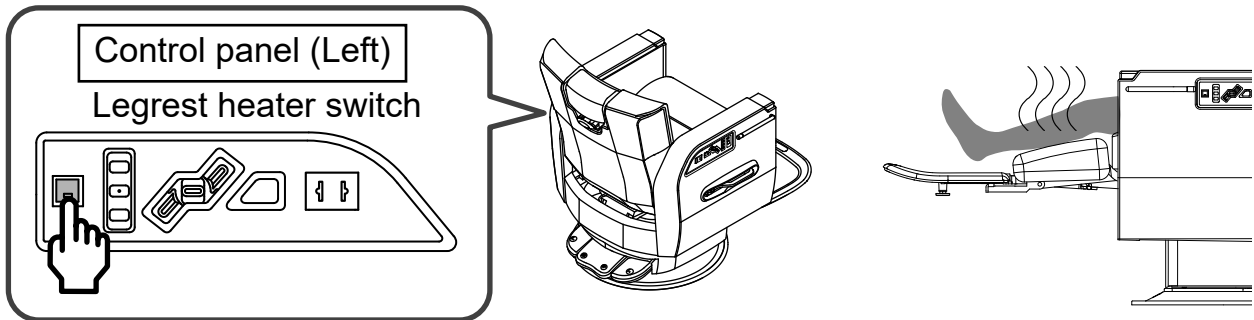
This chair is equipped with a function to warm the legrest.

Press the legrest heater switch on the control panel (left) to operate the heater.

(The lamp of the switch lights up.)

The temperature adjustment function warms the customer's calves at an appropriate temperature when the heater is operating.

Press the switch again to stop the heater. (The lamp of the switch turns off.)



Use the heater with the legrest raised because heat will escape and the effective temperature will be reduced if the customer's calves do not contact the legrest.

## **WARNING**

- Using the heater for an extended period causes the temperature to increase, possibly resulting in burns or fire. Be sure to turn off the heater switch when not necessary.
- Turn off the power and remove the power plug if you feel abnormal heat when touching the legrest, and contact your closest dealer or Takara Belmont.

# Accumulator

This chair is equipped with an accumulator that reduces vibration when operating and stopping the chair.

The accumulator absorbs loads applied to the hydraulic circuit of the chair to provide shock-free performance. Accordingly, the following conditions might be observed.

- The stopping position of the chair might vary due to slowly stopping the chair in order to absorb shocks.
- The chair might seem to slightly bounce due to load changes to the hydraulic circuit when getting in or out of the chair, or during massage.
- The chair might rise slightly when a customer gets out of the chair.  
(Because the accumulator function has caused the chair to sink.)

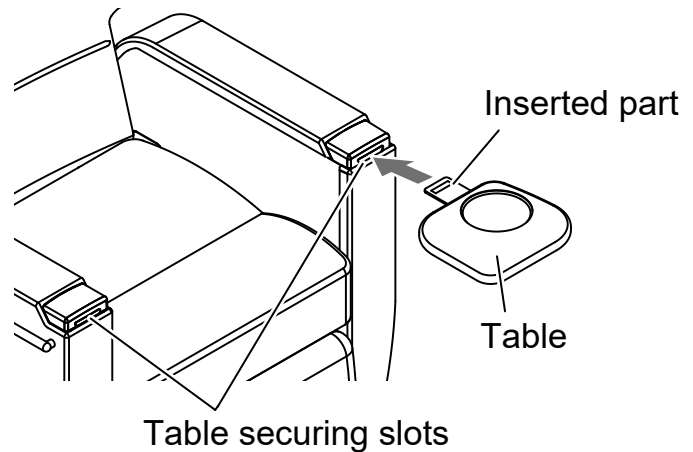
Set the positions of the preset function with a person sitting in the chair.

The chair is equipped with a shockless device. Accordingly, the set positions vary slightly when a person sits in the chair if position setting is performed without a person sitting in the chair.

# Using the Table

(AB-BROSF/AB-BROSB only)

- 1** Insert the table into one of the table securing slots at the edges of the armrests until the inserted part of the table is fully and securely inserted.
- 2** Hold the main part of the table and pull out to remove.



- Do not insert/remove the table or operate the chair with items on the table. Doing so can result in such items falling off or in spilling of liquids.
- Do not place objects on the table that weigh 2 kg/4.4lb or more, or items that hang over or extend beyond the table surface. Doing so can result in damage to or deformation of the chair or table.
- Do not use the cape holder when using the table. Doing so can result in damage to or deformation of the cape holder or table.
- Be careful that nearby devices such as the shampoo bowl do not interfere with the table when rotating or operating the chair while using the table.



## CAUTION

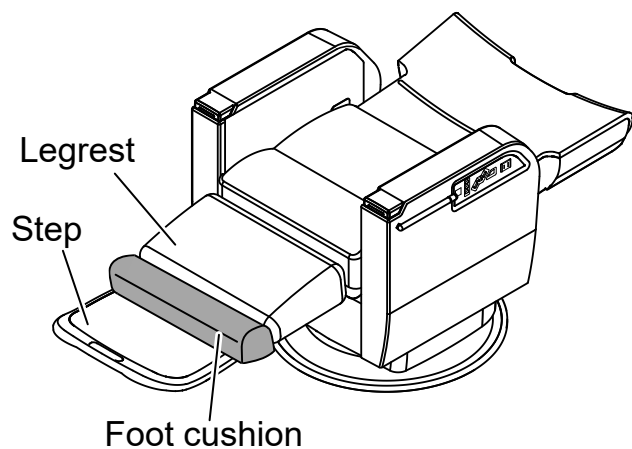
Check that the table is securely inserted into the table securing slot before using the table. Failure to fully insert the table can result in the table falling off, causing injury and damage.

# Using the Foot Cushion

(AB-BROSF only)

This chair has a foot cushion that can be placed on the step on which the customer's legs can rest in order for the customer to recline with comfort.

Use it for customers whose height is such that their heels extend beyond the legrest.



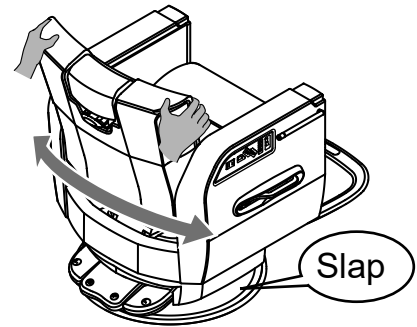
Always be sure to remove the foot cushion before returning the legrest to its original position. Returning the legrest with the foot cushion still located on the legrest can result in the cushion being pinched between the legrest and step.

# Aligning with the Yume Swing Bowl

**(AB-BROSF/AB-BROSB only)**

This chair is equipped with a "Yume Swing Position Setting Function" in the chair base that detects position in order to be able to properly align the positions of the Yume Swing bowl and chair rotation.

- 1 Release the rotation lock and rotate the chair.**
- 2 Rotation becomes slightly heavy as you slowly rotate the chair until it is near the Yume Swing bowl position and you feel a slapping click.**
- 3 After the chair is secured at the position in 2, you can press a previously set preset switch to align the chair and Yume Swing bowl at the proper position.**



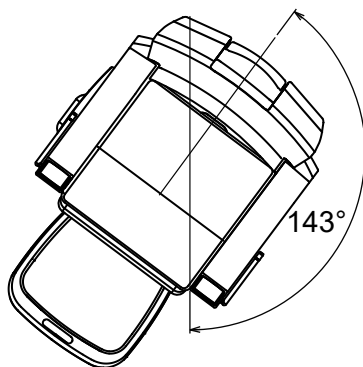
- Lock the chair at the Yume Swing position so that the Yume Swing position and the bowl are aligned at the proper position, and check that the chair and bowl are properly aligned.
- Reposition the Yume Swing position to the proper position after moving the chair for cleaning or similar reason because the position might become misaligned due to such movement.
- The Yume Swing position setting function has a simple lock for position detection. Always be sure to fully lock it by using the rotation lock switch after aligning the position because the lock can be released with only slight force.

## <Yume Swing Position>

The Yume Swing position consists of the two positions shown below.

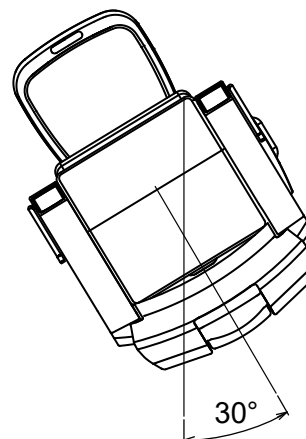
Use these in alignment with the bowl set position.

Front power cord side



For front-layout Yume Swing bowl

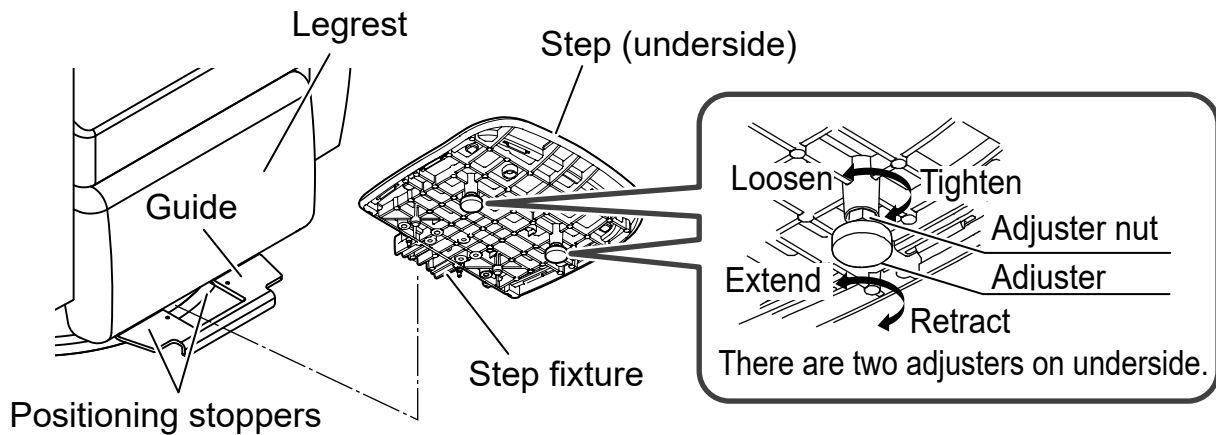
Front power cord side



For rear-layout Yume Swing bowl

# Removing the Step

You can remove the step anytime it might interfere such as when sitting a wheelchair customer in the chair or using a foot spa machine.



## Removing the step

Pull up the step at an angle (approx. 45°) with both hands and pull it up towards you to remove it.

## Installing the step

Install by performing the removal procedures in the reverse order.  
Hook the step fixture on the guide while aligning with the positioning stoppers.

⇒The adjuster, which prevents the chair from overturning, is located on the underside of the step.  
Adjust the adjuster by loosening the adjuster nut by using a wrench (No. 17), adjust the height of the adjuster, and then tighten the adjuster nut by using a wrench (No. 17), as shown in the figure above.

- Be careful of operating the chair when using a foot bath and make sure that the chair does not interfere with the foot bath.
- Immediately wipe off any water, chemical or other liquid of the foot bath if it gets on the chair.

### **WARNING**

- After installing the step, check that the step fixture is securely held by the guide and the step is not loose. Be careful that there is no looseness as this could result in the chair tipping over when the customer is getting in or out of the chair.
- Be careful when lifting and carrying the step, and of where you place it because the step is heavy. Dropping the step could result in serious injury or damage the floor.

### **CAUTION**

Be careful when the adjuster is extended that it does not scratch the floor or pull the power cord when rotating the chair.

# Cleaning Procedures

Clean this chair after use to maintain it in a clean state.

Leaving dirt or grime on the chair can result in the formation of mold.

## **WARNING**

- Turn off the power switch and unplug the power plug before cleaning. Failure to do so can result in electric shock or fire. Also, sudden movement of the chair while cleaning can result in injury.
- Do not sprinkle with water to clean it. Washing in such a manner can result in a malfunction or electric shock.

## **CAUTION**

The metal and mechanical parts of the chair have sharp edges. Be careful when cleaning the chair that your hands, fingers or other body parts are not injured.

## Cleaning of Each Part

### **Leather Parts** **Plastic Parts**

Lightly wipe clean using a dry soft cloth.

If extremely dirty

Wipe off any stain by using a soft cloth that has been dabbed with a neutral detergent diluted with water to approximately one tenth, wipe it with a damp cloth and thoroughly wipe it dry.

### **Control Panels** **Metal Parts**

Wipe clean using a dry soft cloth.

Do not clean these parts with a wet cloth because they are readily affected by moisture and water. Wipe off all moisture immediately if any water gets on these parts. Water left on these parts will result in rust or malfunction of electronic parts.

- Do not use any of the following substances to clean the chair.

Thinner, alcohol, nail polish remover, volatile chemicals (such as gasoline or kerosene), acid or alkaline solutions, chlorinated cleaners, disinfectants that are highly corrosive to metal, povidone iodine (iodine solution), sodium hypochlorite, waxes containing abrasive compounds, sponges containing abrasive compounds and similar substances.

- Do not use brushes, scouring brushes or similar items when cleaning the chair. Using them will damage the chair or result in the inability to clean off the dirt or grime.
- Do not clean leather parts using a cleaner or bleach containing organic solvent or abrasive compounds. Such substances can cause the leather surface to deteriorate or dull the luster.

Clean a chair that has not been used for an extended period before using again.

After cleaning, be sure to always check that the chair operates properly.

## Spray-type Hairstyling Products (Especially hard types)

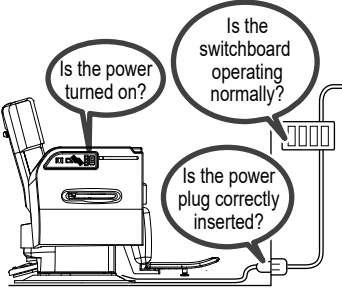
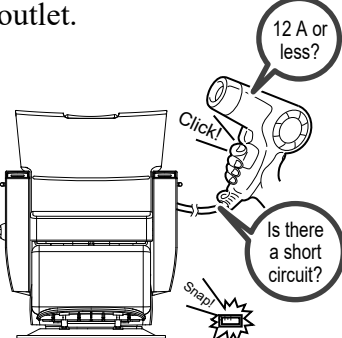
When using spray-type hairstyling products (especially hard types), check the entire chair to make sure that none of the product is adhering to the exterior surface of the chair (including leather parts). Immediately wipe off any hairstyling product that is adhering to the chair. Allowing such hairstyling product to remain results in it becoming firmly adhered, leaving a feeling of roughness. Be especially careful of flat surfaces (such as the plastic covers) as this roughness is considerably noticeable on flat surfaces.

- \* If hairstyling product has become firmly adhered:

Clean off any firmly adhered hair product by using ethanol. However, repeatedly cleaning off product adhering to plastic covers and leather parts by using ethanol can cause the surface to deteriorate, paint to peel, the luster to be lost, and cracking. To prevent this, immediately wiping off any adhering hairstyling product is the best method to prevent any problems.

# Troubleshooting

If any of the problems described below occur, conduct the checks outlined before requesting repair. If the chair does not work normally even after performing the recovery procedures, immediately stop using the chair, turn off the power, unplug the power plug, and contact your closest dealer or Takara Belmont.

Problem	Check Points	Recovery Procedures
<p>Chair does not move.</p> 	Is the power plug fully inserted to the base of the plug?	Fully insert the power plug into the outlet until reaching the base of the plug. (p. 13)
	Is the power switch turned on?	Turn on the power switch. (p. 13)
	Has a fuse of the shop's switchboard or breaker been tripped?	Replace the fuse of the switchboard or turn on the breaker.
	Has the chair been operated for an extended period continuously?	<p>The problem is due to the operation of the overheating prevention device. ⇒ Leave the chair for approximately 10 min. to allow it to return to the normal condition.</p> <div style="border: 1px solid black; padding: 5px; width: fit-content; margin: 10px auto;">Overheating Prevention Device</div> <p>This is a protective circuit that prevents abnormal overheating of internal mechanisms due to continuous operation and similar causes. The chair might stop moving temporarily.</p>
<p>The power switch turns off when using the service outlet.</p> 	Is the current being used 12 A (9 A during chair operation) or less?	<p>The breaker function operates if the total current used by the two outlets exceeds 12 A (9 A during chair operation). Use a current of 12 A (9 A) or less and turn on the power switch again.</p> <div style="border: 1px solid black; padding: 5px; width: fit-content; margin: 10px auto;">Breaker Function</div> <p>This function prevents damage to this chair if the chair is used when the allowable current is exceeded.</p>
	Has there been a short circuit in one of the devices connected to the service outlet?	<p>Switch to using a different device and try turning on the power switch. If the power cannot be turned on when using a different device, contact your closest dealer or Takara Belmont.</p>

## These are not malfunctions

Sound at startup	Such sound is due to the internal hydraulic fluid being cold. It is not a functional fault and should stop shortly thereafter.
Slow movement of the chair	Such movement is due to the internal operating fluid being cold. Raise the room temperature or continue operating for a short period. It will recover to the normal condition.
Sound when rotating the chair	This is the sound of the steel balls rolling when the chair is rotated. The level of this sound varies depending on the environment where the chair is installed.



# Daily Inspection

Perform the following inspection procedures in order to ensure that the chair can be used safely.

**⚠ WARNING** Be sure to always perform daily inspection according to the following instructions. Failure to perform daily inspection can result in injury or damage.

## Daily Inspection Procedures

Inspection Item	Inspection Procedures	Recovery Procedures if there is a Problem
Does the chair operate normally?	Turn on the power switch, and check that a double beep with one to three pauses are not emitted intermittently.	Turn off the power switch, and wait approximately five seconds before turning on the power switch again. If the alarm still sounds, stop using the chair, turn off the power, unplug the power plug, and contact your closest dealer or Takara Belmont.
	Check that, approximately five seconds after turning on the power switch, a double beep with five pauses is not emitted intermittently.	Check that none of the operating switches are pressed. After checking that there is no object on top of the foot control or similar problem, turn off the power switch, and wait approximately five seconds before turning on the power switch again. If the alarm still sounds, stop using the chair, turn off the power, unplug the power plug, and contact your closest dealer or Takara Belmont.
	Check that the chair moves normally to the preset positions by using the preset switches.	Perform the procedures indicated in "Using the preset function" (p. 19). If the chair does not operate normally even after performing these procedures, stop using the chair, turn off the power, unplug the power plug, and contact your closest dealer or Takara Belmont.
	Check that the chair moves normally to the initial position (position for getting in or out of the chair) by using the auto-return switch.	Perform the procedures indicated in "Using the auto-return function" (p. 20). If the chair does not operate normally even after performing these procedures, stop using the chair, turn off the power, unplug the power plug, and contact your closest dealer or Takara Belmont.
	Check that the chair raises and lowers by using the UP/DOWN switches.	Perform the procedures indicated in "Raising/Lowering the Chair" (p. 15). If the chair does not operate normally even after performing these procedures, stop using the chair, turn off the power, unplug the power plug, and contact your closest dealer or Takara Belmont.
	Check that the chair backrest can be reclined and raised by using the backrest switch.	Perform the procedures indicated in "Reclining/Raising the Backrest" (p. 17). If the chair does not operate normally even after performing these procedures, stop using the chair, turn off the power, unplug the power plug, and contact your closest dealer or Takara Belmont.
	Check that the chair legrest can be raised and lowered by using the legrest switch.	Perform the procedures indicated in "Raising/Lowering the Legrest" (p. 18). If the chair does not operate normally even after performing these procedures, stop using the chair, turn off the power, unplug the power plug, and contact your closest dealer or Takara Belmont.
	Check that chair rotation can be locked and unlocked by using the rotation lock switch.	Perform the procedures indicated in "Rotating the Chair" (p. 14). If the chair does not operate normally even after performing these procedures, stop using the chair, turn off the power, unplug the power plug, and contact your closest dealer or Takara Belmont.

# Daily Inspection

Inspection Item	Inspection Procedures	Recovery Procedures if there is a Problem
Does the chair operate normally?	Check that there is no wobbling or abnormal noise when operating the chair.	If there is any wobbling or abnormal noise when operating the chair, stop using the chair, turn off the power, unplug the power plug, and contact your closest dealer or Takara Belmont.
	Check that the chair stops at the desired position for a fixed period and does not continue to go lower.	If the chair does not stop for a fixed period and rather continues to lower, stop using the chair, turn off the power, unplug the power plug, and contact your closest dealer or Takara Belmont.
Are there any abnormal odors being emitted?	Check that no abnormal odors or smoke are being emitted from the chair.	If abnormal odors or smoke are being emitted, stop using the chair, turn off the power, unplug the power plug, and contact your closest dealer or Takara Belmont.
Check that no oil is leaking.	Check that no oil has dripped on the top of the base and oil is not seeping from the pump cover.	If oil is dripping or seeping out, stop using the chair, turn off the power, unplug the power plug, and contact your closest dealer or Takara Belmont.

## Standard Period of Use

- The standard period of use of this chair is 10 years.
- The standard period of use is "an approximate standard period for which the chair can be safely used with no impediments to safety under the standard use conditions for each chair and while performing proper maintenance and inspection (including parts replacement)". This is not a warranty period. The length of the "standard period" differs depending on the use environment and frequency of use of the customer.

For maintenance after the standard period of use, contact your closest dealer or Takara Belmont.

## Disposing of this Product

Dispose of this chair and replaced parts in a proper manner that complies with local laws and regulations.

# Declaration of Conformity

## EU Declaration of Conformity

We hereby declare that the product listed below complies with the essential requirements of the EMC (electromagnetic compatibility) Directive:2014/30/EU, Low Voltage Directive:2014/35/EU, Machinery Directive:2006/42/EC and RoHS Directive:2011/65/EU based on category 11 of Annex I.

Product : BARBER CHAIR

Model : BRAMU

The product has been designed and manufactured in accordance with the European standards as the listed in the Declaration of Conformity.

## UK Declaration of Conformity

We declare under sole responsibility that the device that is covered by the present declaration is in conformity with the following regulations and, if applicable, with any other relevant UK legislation that provides for the issuing of an UK declaration of conformity.

Product : BARBER CHAIR

Model : BRAMU

Regulations this product conforms to:

The Electrical Equipment (Safety) Regulations 2016, S.I. 2016/110

The Electromagnetic Compatibility Regulations 2016, S.I. 2016/1091

The Supply of Machinery (Safety) Regulations 2008, S.I. 2008/1597

The Restriction of the Use of Certain Hazardous Substances in Electrical and Electronic Equipment Regulations 2012, S.I. 2012/3032 based on category 11 of PART 1, SCHEDULE I

# Intended use of the product

This product is intended for the exclusive use in hair salon for their treatment and service, and must be operated or handled by the qualified/professional hairdressers or by their staffs under the supervision of hairdressers.

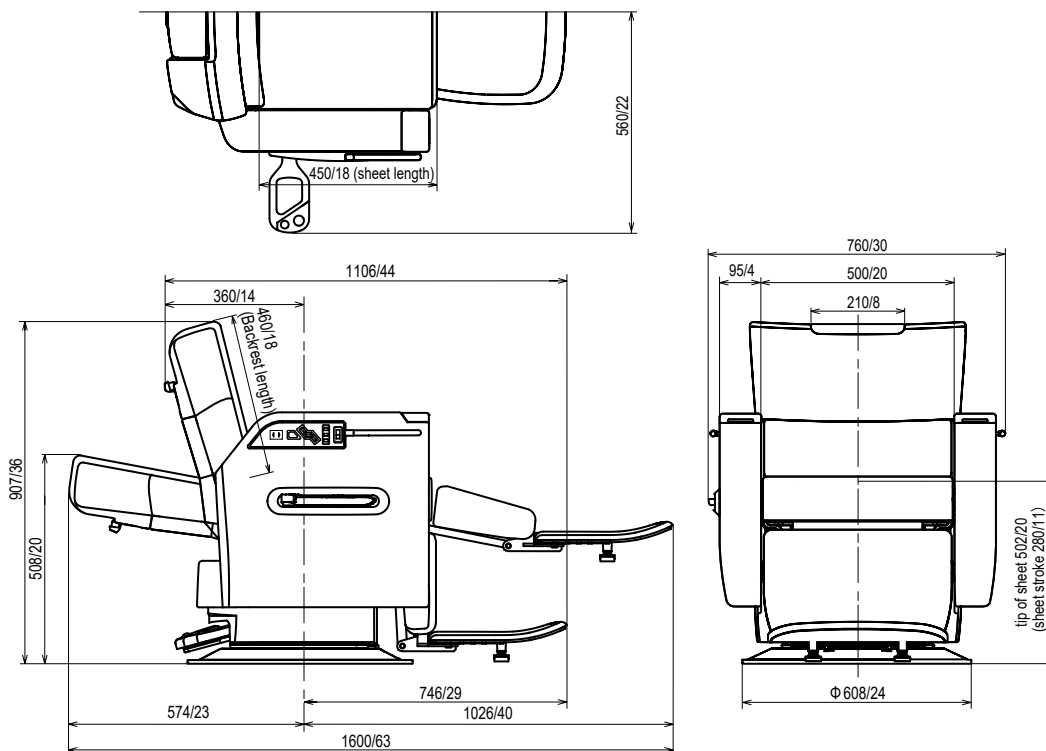
Such hairdressers or staffs should instruct and/or assist the salon customers to approach to and leave from the product.

Salon customers should not be allowed to operate or handle the product unless he or she is so instructed.

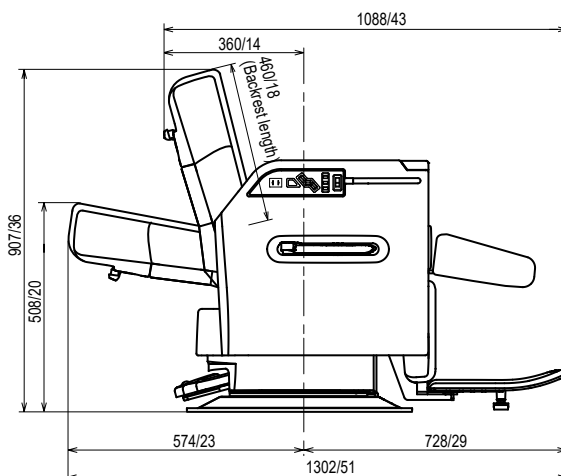
# Specifications

Model no.:	AB-BR
Rated voltage:	AC 230 V
Rated frequency:	50 Hz
Rated consumption current:	2.2 A
Weight:	135 kg
Max. load:	1,350 N (135 kgf)
Operating noise volume:	70 dB or less
Use environment:	Temperature 0 ~ 40°C Humidity 10 ~ 95% (No condensation) Air pressure 700 ~ 1060 hPa Use the product at an altitude of 3000m or less.
Transportation / Storage environment:	Temperature -20 ~ 70°C Humidity 10 ~ 95% (No condensation) Air pressure 700 ~ 1060 hPa

## AB-BROSF/AB-BRSTF (Legrest-linked type)



## AB-BROSB/AB-BRSTB (Independent legrest type)



\* Dimensions and specifications are subject to change without notice due to design improvement.  
Standard values are indicated (Unit: mm/inch).

# NOTE

# NOTE

# IMPORTER INFORMATION

COUNTRY		REGISTERED PLACE OF BUSINESS & ADDRESS
GBR	Importer in UK	TAKARA BELMONT(U.K.)LTD. BELMONT HOUSE, ONE ST.ANDREWS WAY, BOW LONDON E3 3PA, ENGLAND
DEU	Importeur in Deutschland	TAKARA COMPANY EUROPE GmbH BERNER STRASSE 18, 60437 FRANKFURT/M,GERMANY
FRA	Importateur en France	TAKARA COMPAGNIE PARIS S.A.R.L. 56 rue des Hautes Pâtures 92009 NANTERRE Cedex France
ITA	Importatore in Italia	TAKARA BELMONT ITALY S.R.L. Via Marino Mazzacurati No.4/1, 42019 Scandiano RE, Italy

EU Authorised representative

TAKARA COMPANY EUROPE GmbH  
Berner Strasse 18, 60437  
Frankfurt am Main, Germany  
TEL : +49 69 506878 0 / FAX : +49 69 506878 20



UK Authorised representative

Takara Belmont (U.K.) Ltd.  
Belmont House, One St. Andrews Way, Bow  
London E3 3PA, U.K.  
TEL : +44-20-7515-0333 / FAX : +44-20-7987-3596



MANUFACTURER



TAKARA BELMONT CORPORATION  
2-1-1, Higashishinsaibashi, Chuo-ku, Osaka, 542-0083, Japan  
TEL : +81-6-6213-5945 / FAX : +81-6-6212-3680

2022-09 (7th edition)  
BOOK No. 1E05TSGE  
Printed in Japan