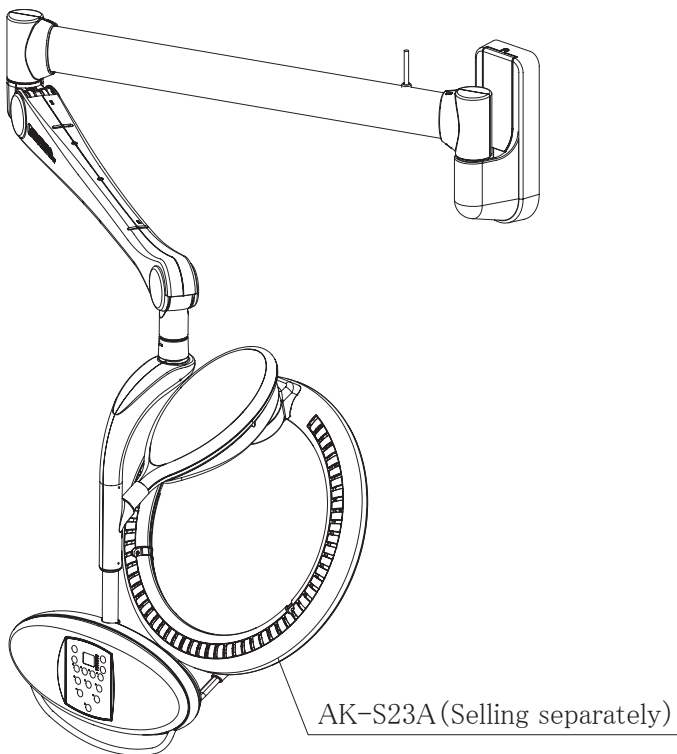


Dryer Arm

Installation/Operation Manual

Model No.

AY-DRASN



(Image is the set of AY-DRASN and AK-S23A.)

※AK-S23A is sold separately.

Table of Contents

IMPORTANT SAFETY INSTRUCTIONS ...	1
GROUNDING INSTRUCTIONS	4
Name of Each Part	5
Accessories	6
Installation Procedures	6
Adjustment of the Balance Arm	17
Operating Procedures	19
USER MAINTENANCE INSTRUCTION ...	19
Daily Inspection Procedure	20
Dimensions and Specifications	21
Wall Mount Plate	23

The product is a dryer arm designed for use in combination with specified product. Do not install any other products on the arm. Failure to heed this warning may cause falling of product resulting in physical injuries.

To the customers:

Customers must not install the product by themselves. Customer must store these instructions in a safe place so as not to lose them.

To the installer:

The instructions should be thoroughly read and understood before installation to ensure the product is installed correctly. After installation, give this instructions to the customer.

IMPORTANT SAFETY INSTRUCTIONS

When using electrical appliances, especially when children are present, basic safety precautions should always be followed, including the following:

Before Using the Product

Carefully read through the Safety Precautions and use the product correctly. Furthermore, to use the product safely, be sure to perform the daily inspection following the procedures described in the USER MAINTENANCE INSTRUCTION (page 19). In case the product is continually used without performing daily inspections, product failures or accidents may occur.

Precautions stated here are for the purpose of the following:

Ensuring safe use of the product and preventing harm and damage to yourself and other persons.

Each of the precautions identifies an important item concerning safety. Be sure to observe the instructions.

We are not responsible for injuries and damage to the user and other persons should an accident occur due to failure to comply with these precautions. If this is the case, the persons who use the product without observing the safety precautions will bear responsible for the injuries and damage.

The following section provides detailed explanations of the precautions. Fully understand the meaning before reading the body text.



DANGER

This mark warns the user that “ignorance of this display and improper use may result in critical risks of death or serious personal injury”.



WARNING

This mark warns the user that “ignorance of this display and improper use may cause death or serious personal injury”.



CAUTION

This mark warns the user that “ignorance of this display and improper use may cause slight to moderate personal injury or property damage”.



Indicates the general prohibited behaviors.



Indicates the prohibition of water splashing and use in a water location.



Indicates the prohibition of disassembly, repair, or modification.



Indicates the need for paying attention to electrical shock.



Indicates enforcement or instructions for general user behavior.



Indicates the instruction to disconnect the power plug from the outlet.





Indicates the instruction to ground the product appropriately.

IMPORTANT SAFETY INSTRUCTIONS

READ ALL INSTRUCTIONS BEFORE USING. KEEP AWAY FROM WATER.















DANGER

Warning concerning Power Supply.	Do not water the equipment.
 <p>Always unplug this appliance immediately after using.</p>	 <p>Do not place or store appliance where it can fall or be pulled into a tub or sink. Do not use while bathing. Do not place in or drop into water or other liquid. Do not reach for an appliance that has fallen into water. Unplug immediately.</p>



WARNING











To reduce the risk of burns, electrocution, fire, or injury to persons:

Be sure to execute the daily check.	Do not operate the equipment in a tilted state.
 <p>Execute the daily check according to the “Daily Inspection Procedure” described in this manual (page 20). Improper use or operation of the product may result in injuries or accidents including burns.</p>	 <p>Incorrect detection by the infrared temperature sensor may cause abnormal heating of the customer head. In addition, falling of the product may result in electric shock, fire, or damage.</p>
Warning concerning Power Supply.	Never disassemble or repair the product by yourself.
 <p>An appliance should never be left unattended when plugged in.</p>	 <p>Persons other than the repair engineer must not disassemble, repair, or modify the product. Neglecting this warning may cause ignition or abnormal operation resulting in physical injuries.</p>
 <p>Be sure to turn off the power of the main unit each time the work is completed. Be sure to disconnect the power plug before moving the product.</p>	<p>Disconnect the power plug before fixing the product.</p>
 <p>Be sure to disconnect the power plug when fixing the product. Do not connect or disconnect the power plug with wet hands. Neglecting this warning may result in an electrical shock or injuries.</p>	<p>Firmly tighten all nuts and screws.</p>
 <p>If the pins or the area near the pins of the power plug are contaminated with waste hair or chemical agent, wipe the area thoroughly with a dry cloth.</p>	 <p>If the screws are loose, the wall bracket may come loose allowing the arm to fall.</p>
Be sure to ground the product	Do not apply excessive loads.
 <p>Be sure to ground the product to use it safely. If not grounded or inappropriately grounded, there may be a risk of electric shock when electric failure or electric leakage occurs. Contact a qualified installer for grounding. Customers must not ground the product by themselves.</p>	 <p>Resting your arm or leaning on the end of bracket may cause the balance arm to break or fall resulting in physical injuries.</p>
 <p>Do not ground to:</p> <ul style="list-style-type: none"> ● Water pipe ● Hard plastic is used for many pipes, and it is not possible to ground to them completely. ● Gas pipe ● There are risks of explosion or/and fire. ● Lightning rod and telephone cable 	<p>Do not install the wall bracket without sufficient wall support.</p>  <p>Since a strong force will develop on the wall bracket, the mounting base of the bracket must be sturdy enough to support the product and dryer arm. Do not mount the bracket on a common rafter, the bar beneath a faced wall, or on gypsum board alone. Neglecting this caution may cause the screws to fall off allowing the bracket to fall due to loose screws from a deformed wall.</p>

IMPORTANT SAFETY INSTRUCTIONS







WARNING

<p>Do not detach the stopper on the dryer arm until all work is complete.</p>	<p>Be sure to use the wall mount plate for mounting the arm on the wall.</p>
<p> Never detach the stopper mounted on the balance arm until installation of the dryer arm is complete. Detaching the stopper without installing the dryer will allow the dryer arm to flip up resulting in accidents and breakage of the lighting devices.</p>	<p> Be sure to use the wall mount plate of dryer arm before mounting the arm on the wall.</p>
<p>Never detach the devices mounted on the dryer arm by yourself.</p>	<p>Handling of Power Cord.</p>
<p> Never allow persons other than repair engineers to detach the devices mounted on the dryer arm. Failure to heed this warning may result in breakage or malfunction of surrounding facilities or physical injuries due to electric shock hazard or fire.</p>	<p> Keep the cord away from heated surfaces.</p> <p> Connect this appliance to a properly grounded outlet only. See Grounding Instructions.</p>
<p>Do not install or mount the dryer arm or change the devices on the dryer arm by yourself.</p>	<p> Never operate this product if it has a damaged cord or plug, if it is not working properly, if it has been dropped into water. Return the product to a service center for examination and repair.</p>
<p> Only qualified personnel should install and mount the dryer arm or change the device on the dryer arm.</p>	<p>Do not use the existing (deteriorated) wall bracket and wall mount plate.</p> <p> Using the wall bracket and the wall plate which have been deteriorated may cause bracket to be broken, and device may fall down. Please contact us about new wall bracket and wall mount plate.</p>
<p>Never touch the inside of the main unit.</p>	<p>Do not use the existing (deteriorated) wall bracket and wall mount plate.</p>
<p> Never touch the inside of the product. Neglecting this warning may cause an electrical shock. For maintenance and service of the product, be sure to contact the nearest dealer or Takara Belmont directly.</p>	<p>Do not use the existing (deteriorated) wall bracket and wall mount plate.</p> <p> Using the wall bracket and the wall plate which have been deteriorated may cause bracket to be broken, and device may fall down. Please contact us about new wall bracket and wall mount plate.</p>



CAUTION

<p>Handling of power cord.</p>	<p>Do not operate the devices in haste.</p>
<p> When disconnecting the power plug, do not hold it at the cord, but pull it off while holding the plug.</p>	<p> Operate the devices slowly without applying excessive force. Failure to heed this warning may result in malfunction, breakage, or falling of the product.</p>
<p> If the power cord or the power plug is damaged or when engagement with the wall outlet is loose, do not use the cord or the plug.</p>	<p>Pay attention to the surrounding areas when operating the product.</p>
<p></p>	<p> Be sure to verify that no personnel or objects are within the operating area of the product. Failure to heed this warning may result in physical injuries or breakage of surrounding facilities.</p>

SAVE THESE INSTRUCTIONS

GROUNDING INSTRUCTIONS

This appliance must be grounded. In the event of an electrical short-circuit, grounding reduces the risk of electric shock by providing a path of low resistance for the electric current. This appliance is equipped with a cord having a grounding wire with a grounding plug. The plug must be plugged into an outlet that is properly installed and grounded in compliance with all local codes and ordinances.

⚠ DANGER

Improper use of the grounded. In the event of an electrical short-circuit, grounding reduces the risk of electric shock. Check with a qualified electrician or service personnel if you are in doubt as to whether the product is properly grounded. Do not modify the plug provided with the appliance, if it will not fit the outlet, have a proper outlet installed by a qualified electrician.

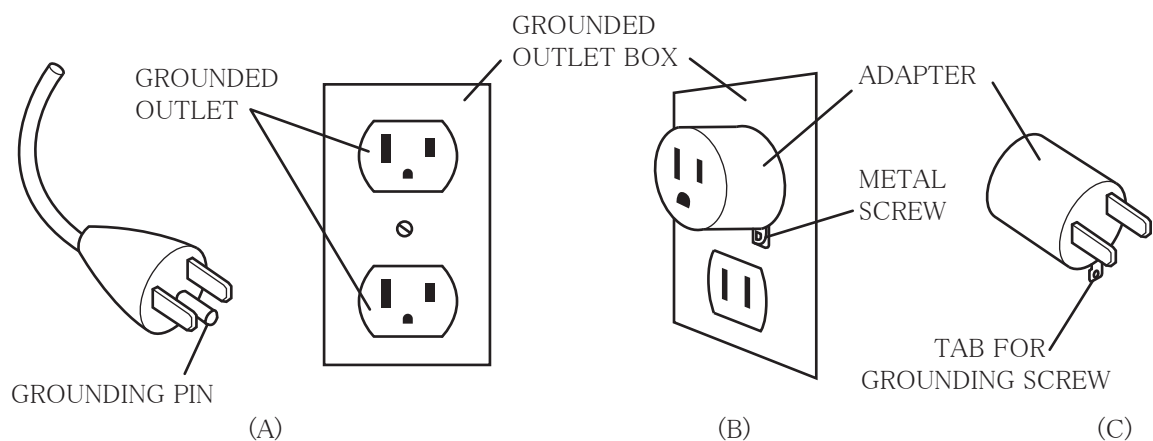
If repair or replacement of the cord or plug is necessary, do not connect the grounding wire to either flat blade terminal. The wire with insulation having an outer surface that is green with or without yellow stripes is the grounding wire.

This appliance is for use on a nominal, 120-volt circuit and has a grounding plug that looks like the plug illustrated in sketch A of Figure 1. A temporary adapter, which looks like the adapter illustrated in sketches B and C of Figure 1, may be used to connect this plug to a 2 pole receptacle as shown in sketch B of Figure 1 if a properly grounded outlet is not available. The temporary adapter should be used only if a properly grounded outlet (sketch A of Figure 1) can be installed by a qualified electrician. The green rigid ear, lug, or the like extending from the adapter must be connected to a permanent ground such as a properly grounded outlet box cover. Whenever the adapter is used, it must be held in place by the screw.

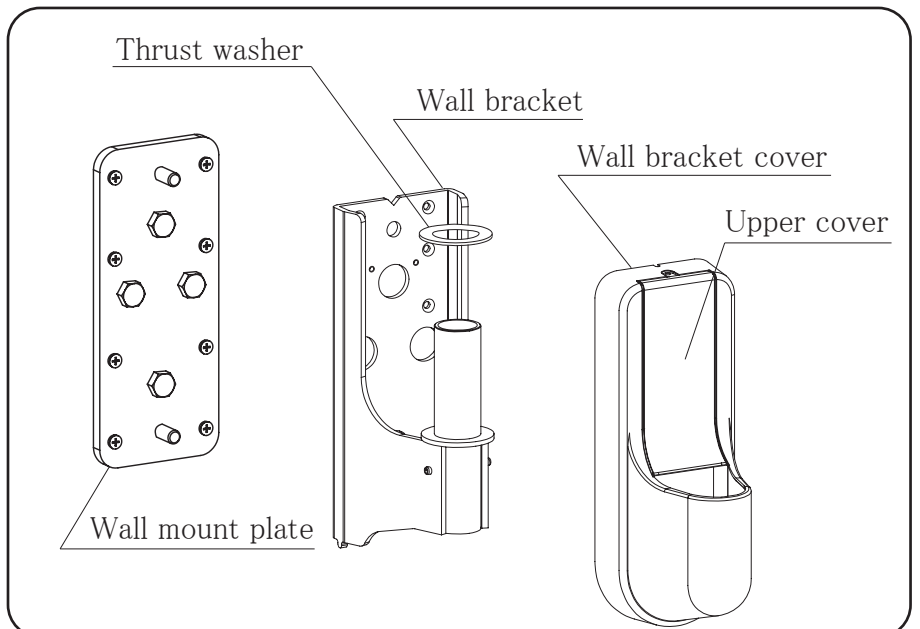
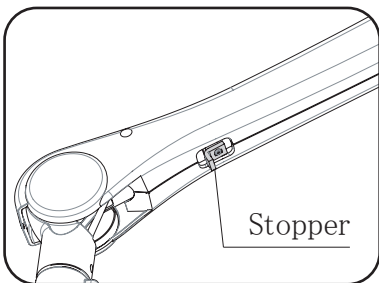
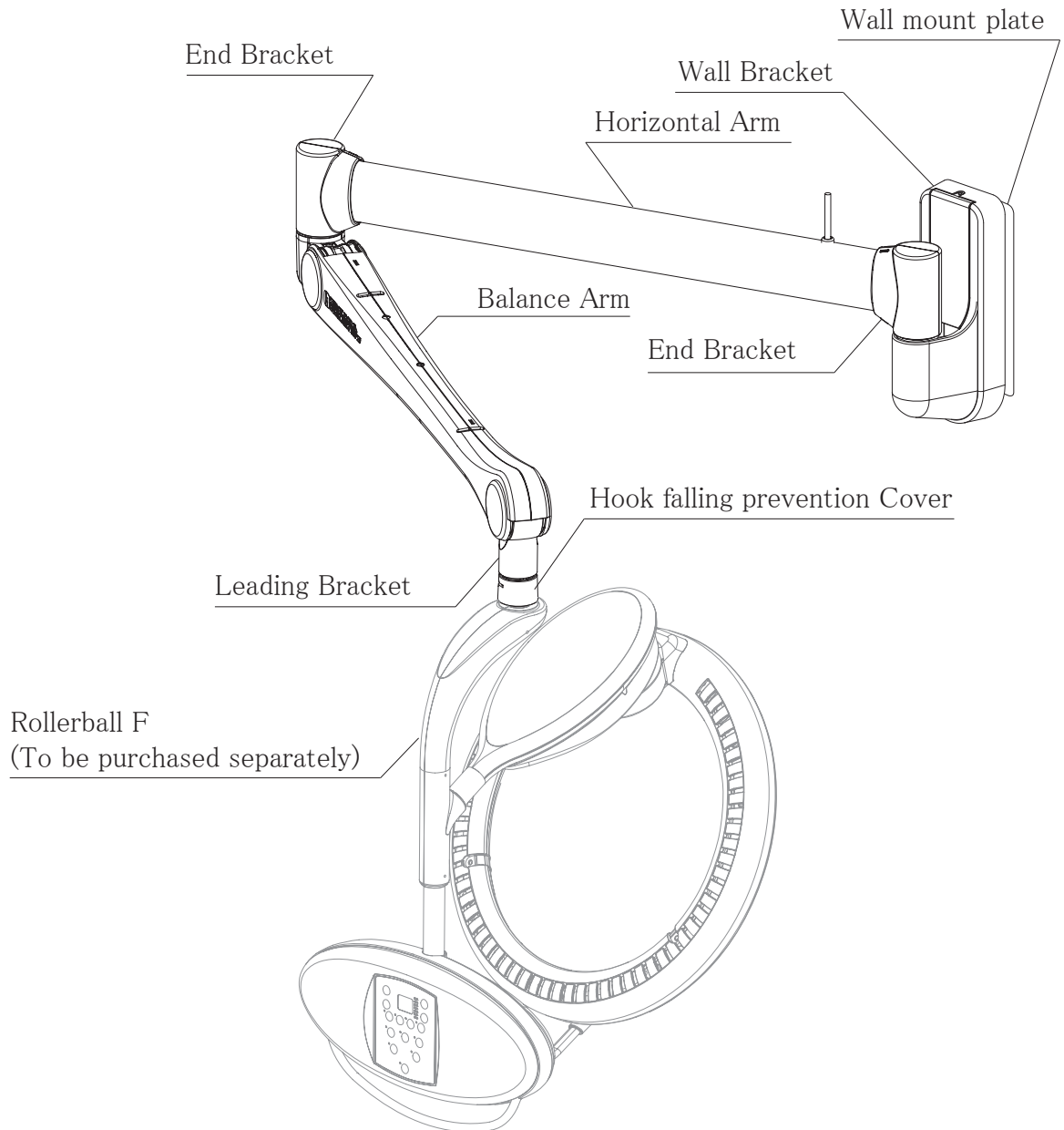
This appliance is for use on a circuit having a nominal rating of 120-volt and is factory equipped with a specific electric cord and plug to permit connection to a proper electric circuit. Make sure that the appliance is connected to an outlet having the same configuration as the plug. No adapter should be used with this appliance. Do not modify the plug provided if it will not fit the outlet. Have a proper outlet installed by a qualified electrician. If the appliance must be reconnected for use on a different type of electric circuit, the reconnection should be made by qualified service personnel.

If it is necessary to use an extension cord, use only a three-wire extension cord that has a three-blade grounding and three-slot receptacle that will accept the plug on the appliance. Replace or repair a damaged cord.

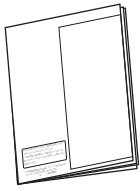
Figure 1 <Grounding Plugs>



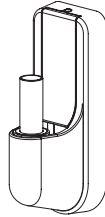
Name of Each Part






Accessories



Installation / Operation Manual
1 copy



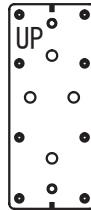
Wall Bracket
1 piece

-  Washer·····2 pieces
-  Nut (type 3)·····2 pieces
-  Nut (lock nut)·2 pieces

Screw Set for Wall Bracket
1 set

- Wood screw····· 10 pieces
- Coach bolt····· 4 pieces
- Anchor bolt· 4 pieces

Screw Set for wall mount plate
1 set



Wall mount plate
1 piece

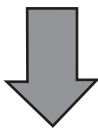


Adjustment Bar
2 piece

Installation Procedures

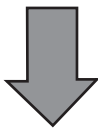
<Procedures>

1. Installing the wall mount plate ······ P 7 ~ 9



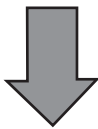
- A. Checking the wall base ······ P 7
- B. Confirming the position of installation ······ P 7
- C. Performing installation according to the wall material ··· P 8 ~ 9

2. Installing the wall bracket ······ P 10 ~ 12



- A. Detaching the cover from the wall bracket ······ P 10
- B. Securing the wall bracket on the wall mount plate ··· P 11
- C. Attaching the cover of the wall bracket ······ P 12

3. Installing the dryer arm ······ P 13



- A. Inserting the rotation-restricting pin ······ P 13
- B. Installing the dryer arm ······ P 13

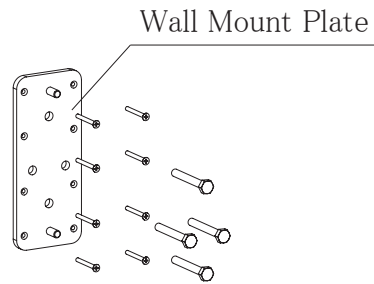
4. Installing the processor on the dryer arm ······ P 14 ~ 16

- A. Detaching the hook ······ P 14
- B. Attaching the device to the dryer arm ······ P 15
- C. Detaching the stopper of the balance arm ······ P 16
- D. Checking the operation ······ P 16

Installation Procedures

1 Installing the wall mount plate

Installation procedures differ depending on the material of the mounting wall surface.



A. Checking the wall base

■ Wood

The wall must be reinforced with a high quality wooden column of 120mm~150mm thickness as a base. The column should be attached vertically.

■ Reinforced concrete

Concrete compressive strength should be 200kgf/cm² or higher for installing the dryer arm.

■ Other materials

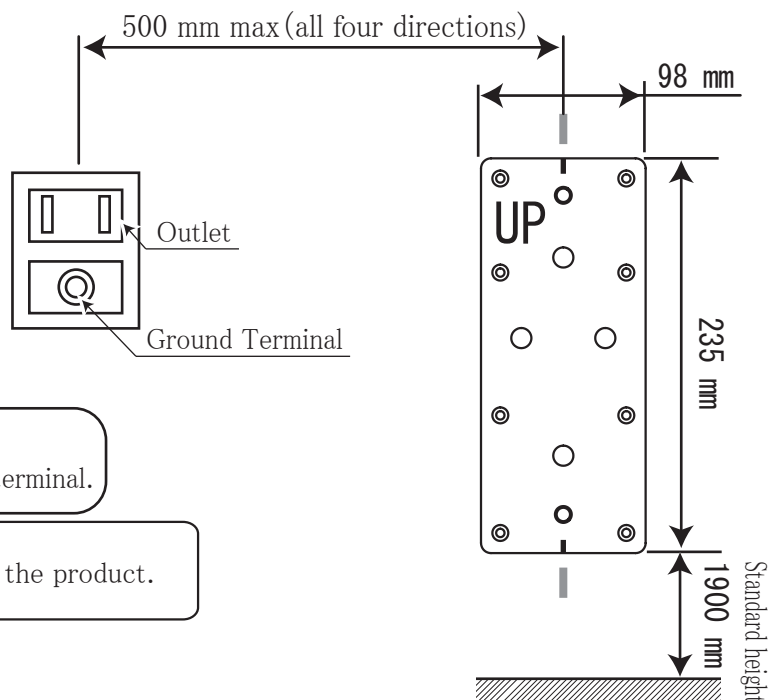
In case of using other materials, contact the nearest dealer or Takara Belmont directly.



In the case that the wall is made of low-strength material such as a gypsum board, cut the surface of the wall mounting position, and attach a high quality wood such as plywood. Neglecting this may cause the screws to fall off allowing the bracket to fall due to loose screws from a deformed wall.

B. Confirming the position of installation

Pay attention to the correct direction of the wall mount plate. Install the wall mount plate as shown below.



Be sure to use the outlet with ground terminal, or outlet and terminal.



Be sure to ground the product.

Installation Procedures

Attach the wall mount plate properly according to the following instructions.



After checking the material of the wall, reinforce the wall properly for attaching the dryer arm. Neglecting this may cause falling accidents.

C. Performing installation according to the wall material

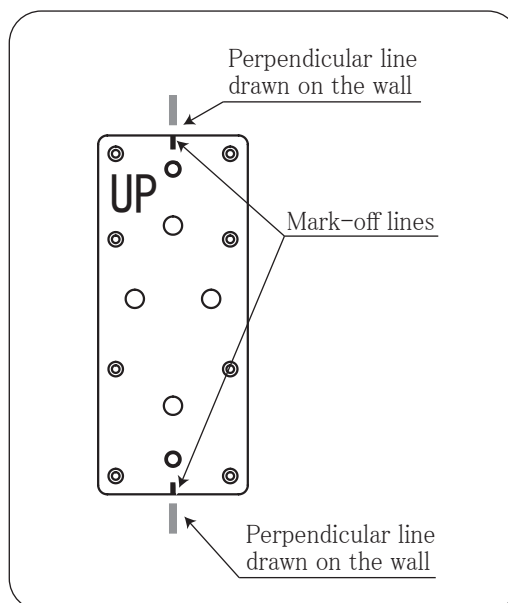
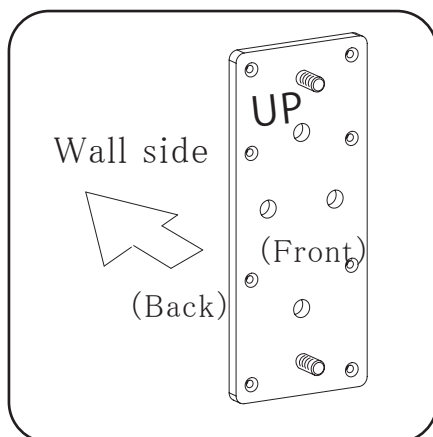
■ Mounting wall made of reinforced concrete

1. Draw a perpendicular line on the wall.
2. Using the wall mount plate as shown in the illustration, drill four holes (10.5mm Dia. / 60mm – 65mm Deep) on the wall. Check that the perpendicular line comes to the center of both upper and lower holes.
3. Insert and hammer the supplied anchor bolts in the holes. When fixing the wall mount plate with nuts, check that the perpendicular line on the wall aligns with the center of both upper and lower holes, and the mark-off lines on the wall mount plate also align with this line.


In the case that the perpendicular line on the wall misalign from the center of holes, attach the wall mount plate at the position where the distance from the line to both the upper and the lower holes to be the same.



In the case that wall is made of low-strength material such as gypsum board, cut the surface of the wall mounting position, and attach high quality wood such as plywood. Neglecting this caution may allow the wall plate to sink down, or bolts or screws may fall off.




Installation Procedures

 When attaching the wall mount plate on the wall, be sure to attach it perpendicularly.
CAUTION Failure to follow this caution may cause tilting of the dryer arm resulting in improper operation.

C. Performing installation according to the wall material

Attach the wall mount plate properly according to the following illustrations.


 After checking the material of the wall, reinforce the wall properly for attaching the dryer arm. Neglecting this may cause falling accidents.
WARNING

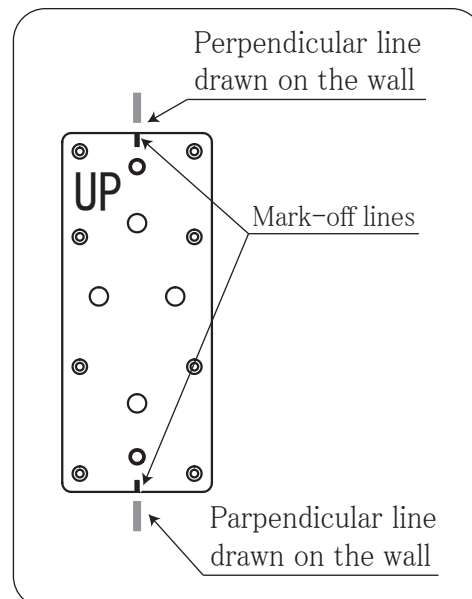
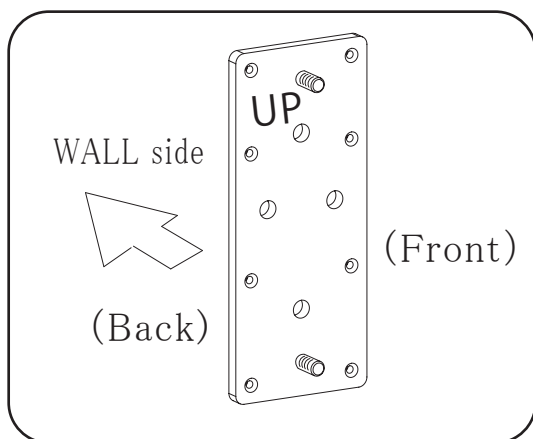
■ Mounting wall made of wood

1. Draw a perpendicular line on the wall.
2. Using the wall mount plate as shown in the illustration, drill four holes on the wall. Then, fix the four pieces of supplied coach bolts temporarily.
3. Make sure that the mark-off lines on the wall mount plate align with the perpendicular line drawn on the wall, then fix the coach bolts tightly. (See below illustration.)

In the case that the perpendicular line on the wall misalign from the center of holes, attach the wall mount plate at the position where the distance from the line to both the upper and the lower holes to be the same.

4. Fix the supplied flat wood screws (8 pieces).

 Fix the supplied coach bolts and wooden screws firmly. Be sure to use all the supplied bolts and screws. Neglecting of this caution may cause toppling or falling accidents.
WARNING



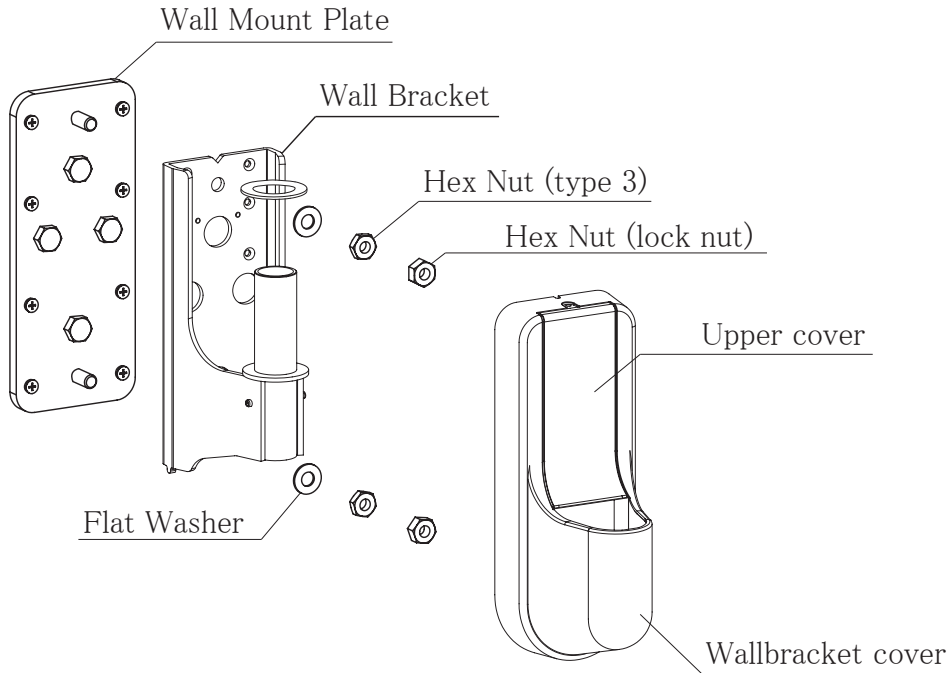
Installation Procedures

2

Installing the wall bracket

Install the wall bracket on the wall mount plate mounted on the wall surface.

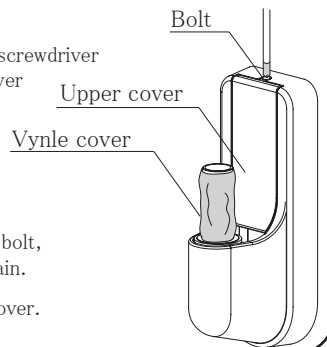
* Detach any existing bracket and use the wall bracket that comes with the dryer arm.



A. Detaching the cover from the wall bracket

① Detach the upper cover from the wall bracket cover.

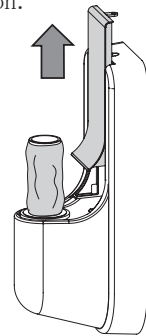
Insert the tip of cross-head screwdriver into the gap of the upper cover and detach it.



※Please retain the removed bolt, because it will be used again.

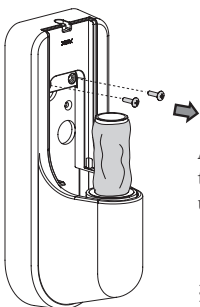
※Do not detach the vynle cover.

② Slide the upper cover to upper direction.



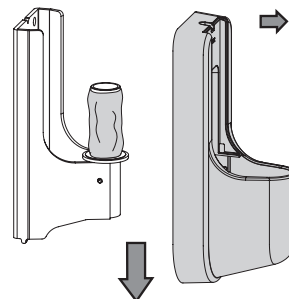
③ Detach the wall bracket cover.

Slide the wall bracket cover to lower direction, then take it off forward.



As per the below illustration, remove the two bolts on the wall bracket, using a cross-head screwdriver(No.2).

※Please retain the removed bolts, because it will be used again.



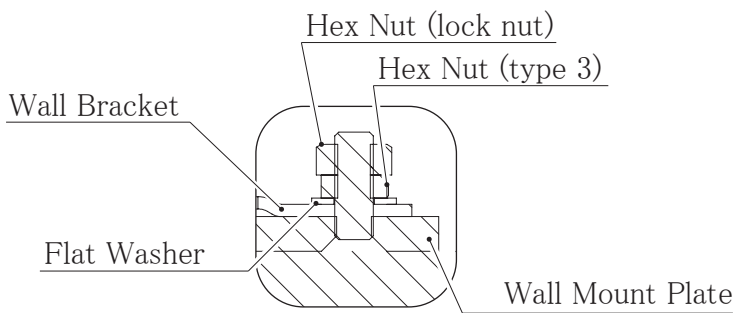
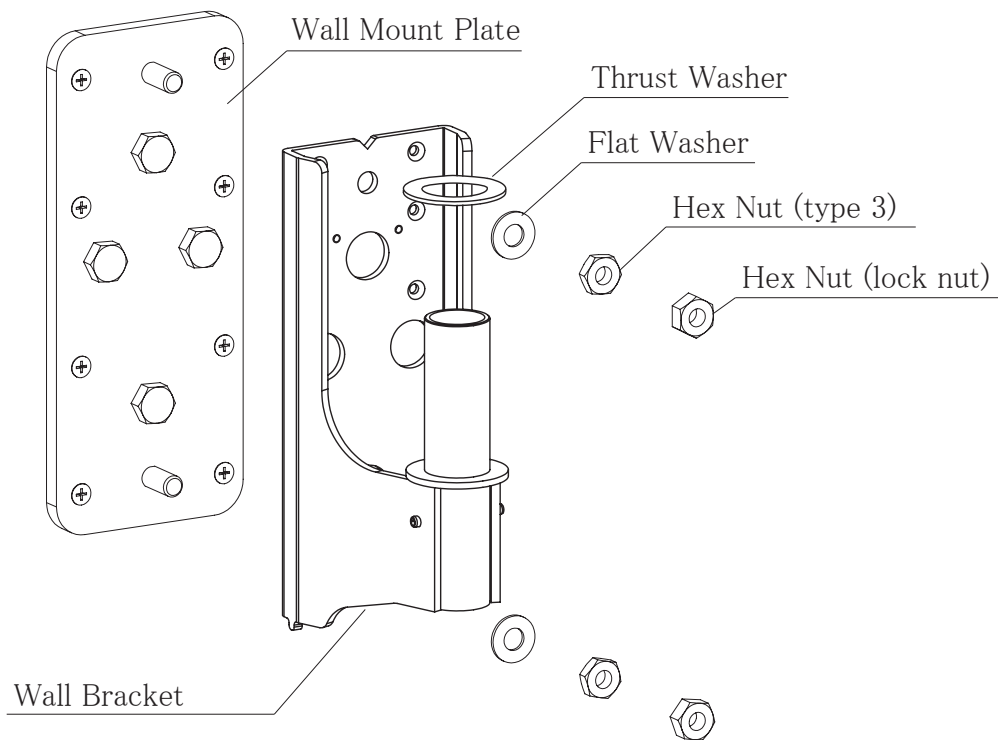
Installation Procedures

B. Securing the wall bracket on the wall mount plate

① Install the wall bracket on the wall mount plate.



Firmly tighten the screws of the wall bracket. If the screws become loose, the arm may drop resulting in burns or physical injuries to the customers.

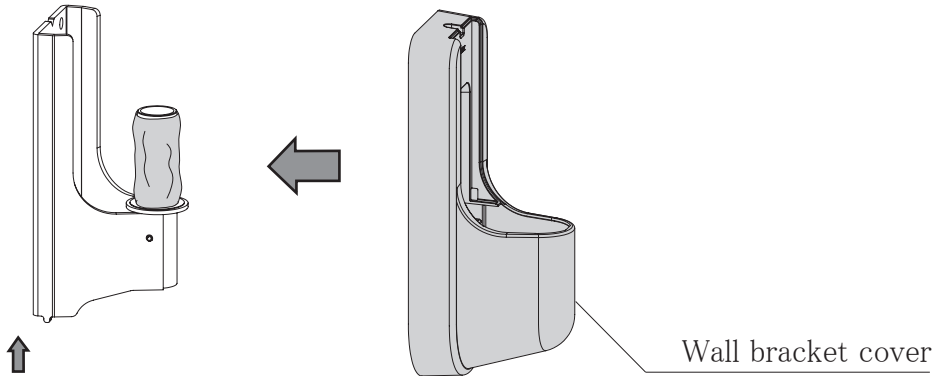


Installation Procedures

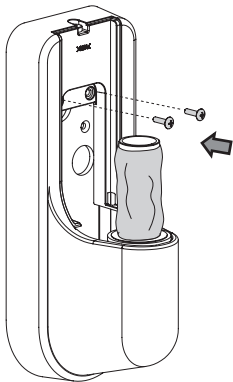
C. Attaching the wall bracket cover.

① Attach the wall bracket cover.

Insert the wall bracket cover from front side, and slide to upper direction.



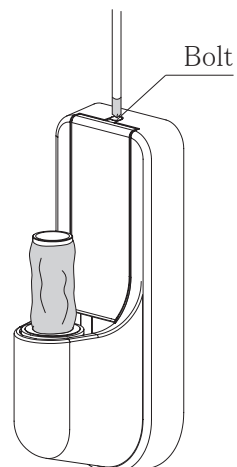
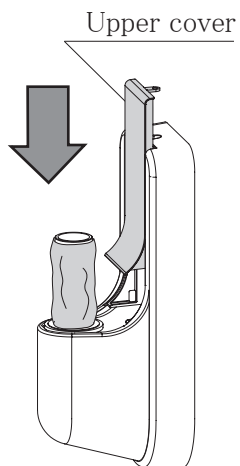
Fix the wall bracket cover as per the below illustration with 2 bolts (detached in P.10 2-③), using a cross-head screw driver(No.2).



② Attaching the upper cover.

Slide the upper cover to lower direction, and insert it into the wall bracket cover.

Fix the upper cover with a bolt (removed in P.10 2-①), using a cross-head screw driver (No.2).



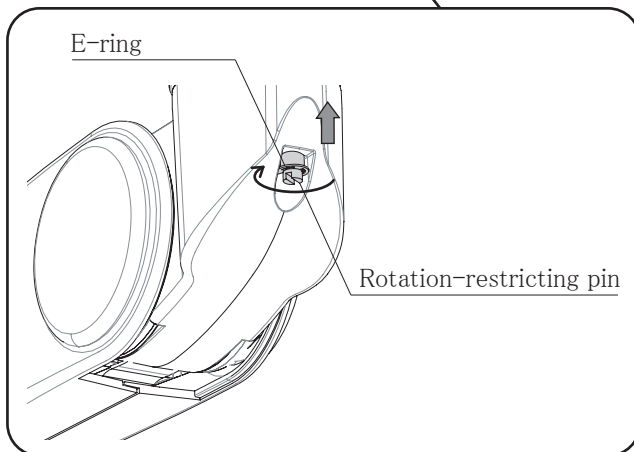
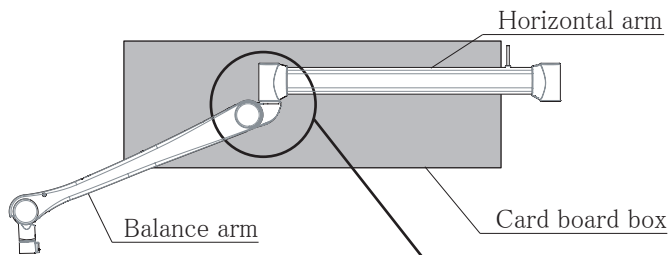
Installation Procedures

3

Installing the dryer arm

A. Inserting the rotation-restricting pin.

- ① Put the dryer arm on the card board box used for packing, and make the horizontal arm and the balance arm a straight state.
 - ② Screw the rotation-restricting pin of below illustration, and insert it up to the point stopped by E-ring .
Using a flat-head screwdriver.
- ※ Please insert the pin, when the horizontal arm and the balance arm are in a straight state.

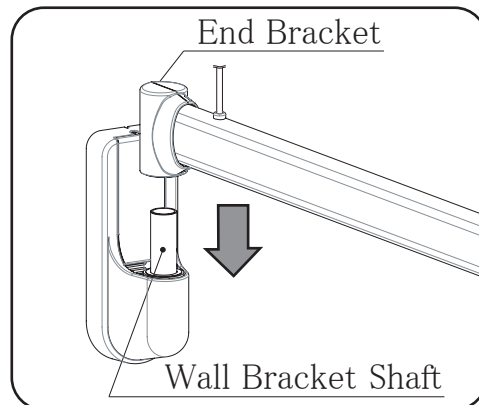


CAUTION

If the pin isn't inserted, the horizontal arm and the balance arm interfere and may cause covers to be broken.

B. Installing the dryer arm

Insert the end bracket of the horizontal arm into the wall bracket shaft.



CAUTION

Installing the dryer arm in a narrow space may damage the apparatuses or equipment if it contacts surrounding equipment.

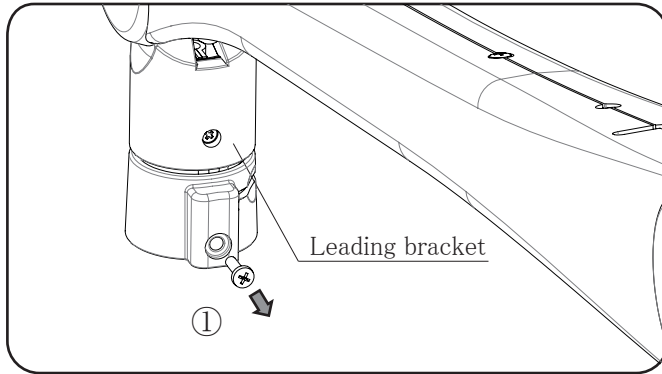
Installation Procedures

4

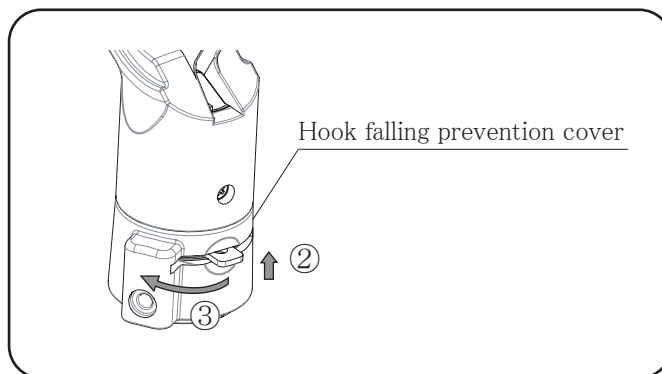
Installing the device (processor or dryer) on the dryer arm

A. Detaching the hook.

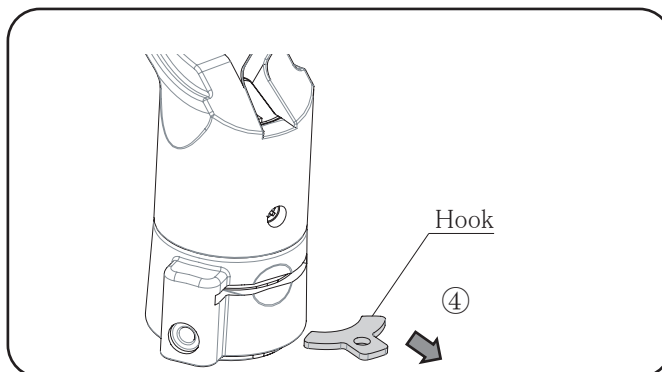
- ① Remove the fixed bolt of the hook falling prevention cover, using a cross-head screw driver.
※Please retain the removed bolt, because it will be used again.



- ② Slide the hook falling prevention cover to upper direction.
- ③ Rotate it to the arrow direction.



- ④ Detach the hook.
※Please retain the detached hook, because it will be used again.



When a chemical adheres to the hook cover metal, immediately wipe it off with a soft, dry cloth. Damage to the cover resulting from chemicals may cause the main unit to fall.

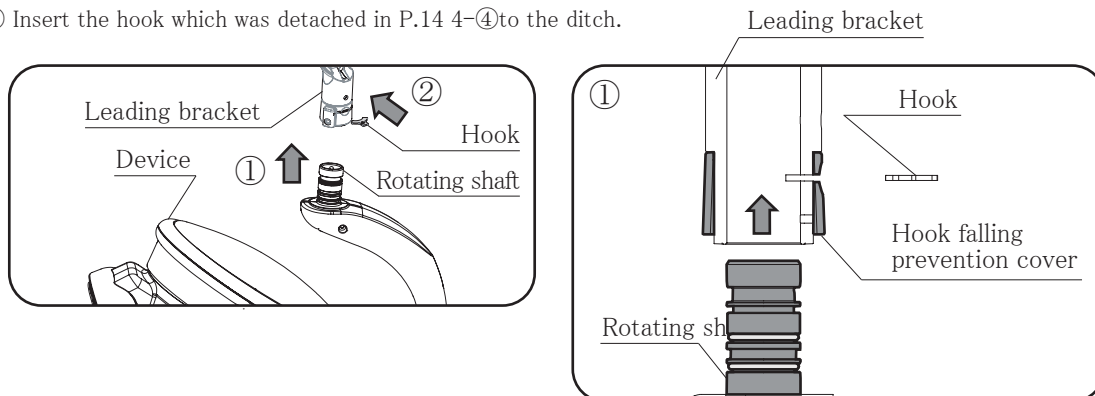
Installation Procedures

B. Attaching the device to the dryer arm.

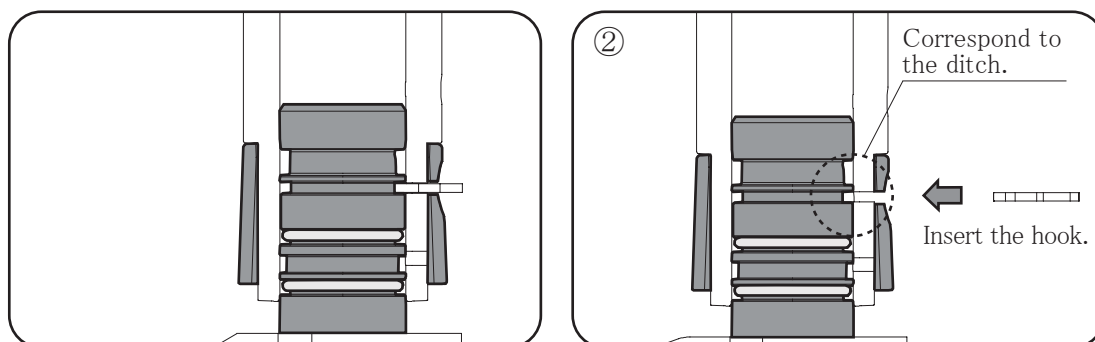
① Insert the device suspending the dryer arm to the leading bracket.

※ Please insert it up to the point which the hook correspond to the ditch of the rotating shaft.

② Insert the hook which was detached in P.14 4-④ to the ditch.



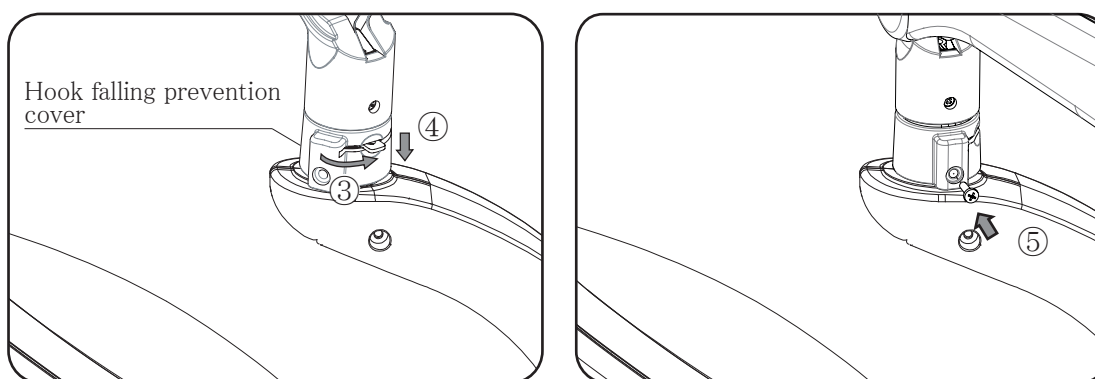
< connection finished >



③ Rotate the hook falling cover to arrow direction.

④ Slide it to lower direction.

⑤ Fix it with the bolt which was detached in P.14 4-①, using a cross-head screwdriver(No.2).



⑥ Rotate the device suspending to the dryer arm, then make sure that attaching is finished.

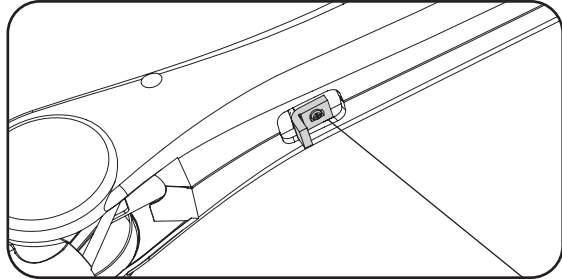
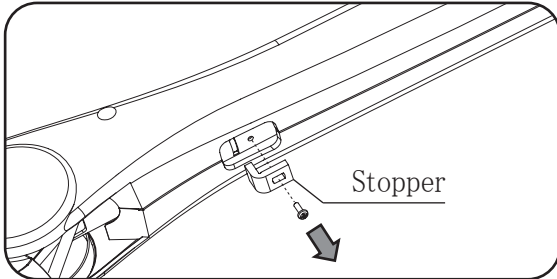


Be sure to mount the hook cover metal after installing the hook.
Imperfect insertion of the hook, failure to tighten the screw, or breakage of cover caused by excessive tightening of the screw may cause the processor to fall.

Installation Procedures

C. Detaching the stopper of the balance arm

The stopper installed on the balance arm (which is movable in the perpendicular direction) will be required for after-maintenance. Be sure to mount and secure the stopper in the reverse direction as illustrated.

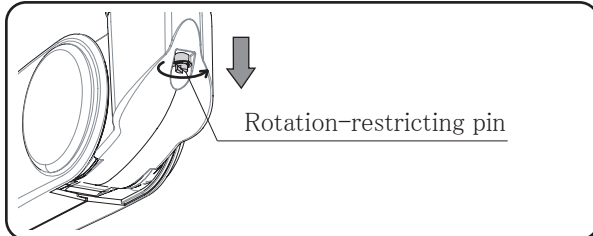


Mount the stopper in the reverse direction.



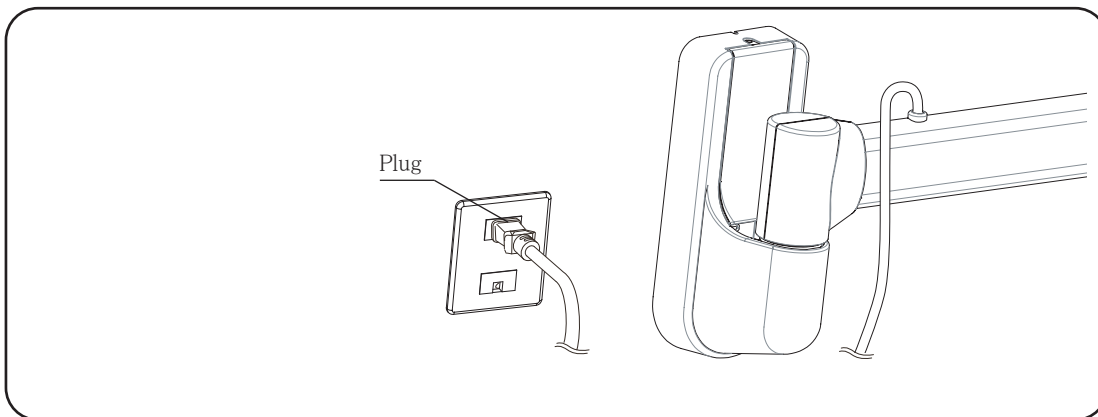
After detaching the stopper, always check the upper end position of the arm. If it contacts the lighting devices on the ceiling, adjust it according to the procedures described in the section "Adjustment of the Balance Arm."

If the rotating is heavy, please loosen a rotation-restricting pin which is inserted in P.13 1-② approx 1 round, using the flat-head screwdriver.



D. Checking the operation

After inserting the plug into the wall outlet and ground the product, check if the product works without problems.



Adjustment of the Balance Arm

The adjustment bar is packed together with this product and the operation manual

1. Adjusting the lift angle of the balance arm.

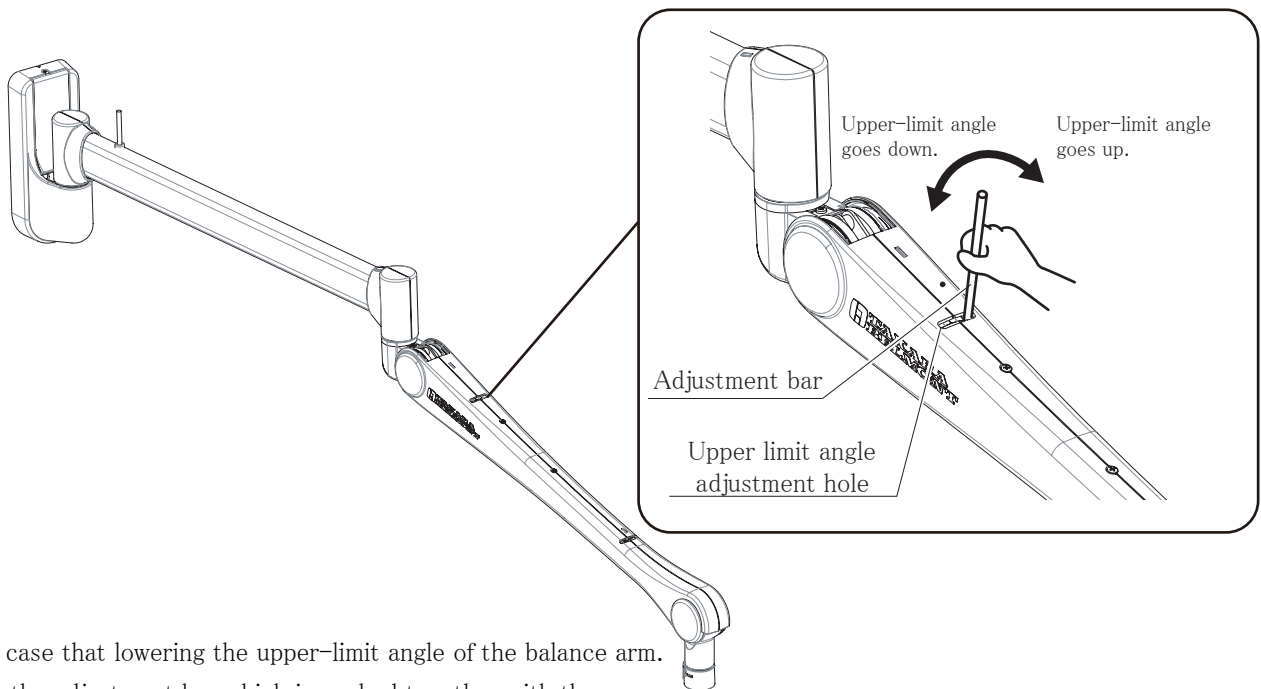
If the ceiling is low or the balance arm interferes with lighting equipment, adjust the lift angle of the balance arm.

Rotate and adjust the adjustment screw in the counterclockwise direction to stop the arm at the specified height. The adjustment differs depending on the angle.



CAUTION

Make sure that the balance arm does not contact any other equipment, such as lighting devices on the ceiling, when the arm is in the upper-limit position. Installation of the arm without checking the state may allow the arm to contact lighting equipment resulting in damage.



(A) In the case that lowering the upper-limit angle of the balance arm.

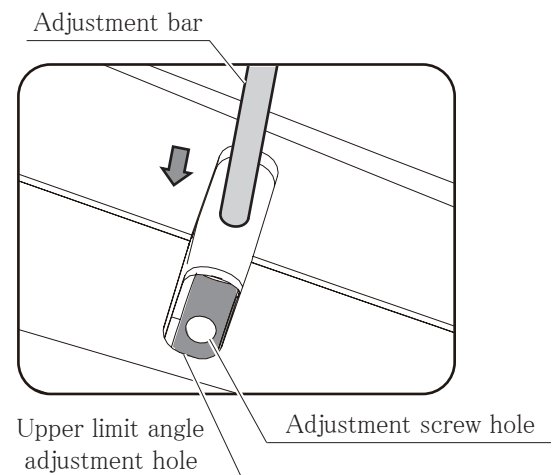
- ① Use the adjustment bar which is packed together with the operation manual.
- ② Move the balance arm up and down and then set it in the position where the adjustment screw hole can be seen in the upper-limit angle adjustment hole.
- ③ Insert the adjustment bar into the adjustment screw hole, and rotate it into the “go down” direction. (See the illustration above.)

※ Since the amount of the adjustment is not constant, check the balance each time the screw is rotated.

(B) In the case that rising the upper-limit angle of the balance arm.

- ①② Follow the same procedures as Item (A) above.
- ③ Insert the adjustment bar into the adjustment screw hole, and rotate it into the “go up” direction. (See the illustration above.)

※ Since the amount of the adjustment is not constant, check the balance each time the screw is rotated.



Adjustment of the Balance Arm

2. Adjusting the balance of the balance arm.

If the dryer or the processor mounted on the balance arm is not balanced in the specified position, then adjust the balance.

(A) In the case that the suspended device goes up from the lower-limit position.

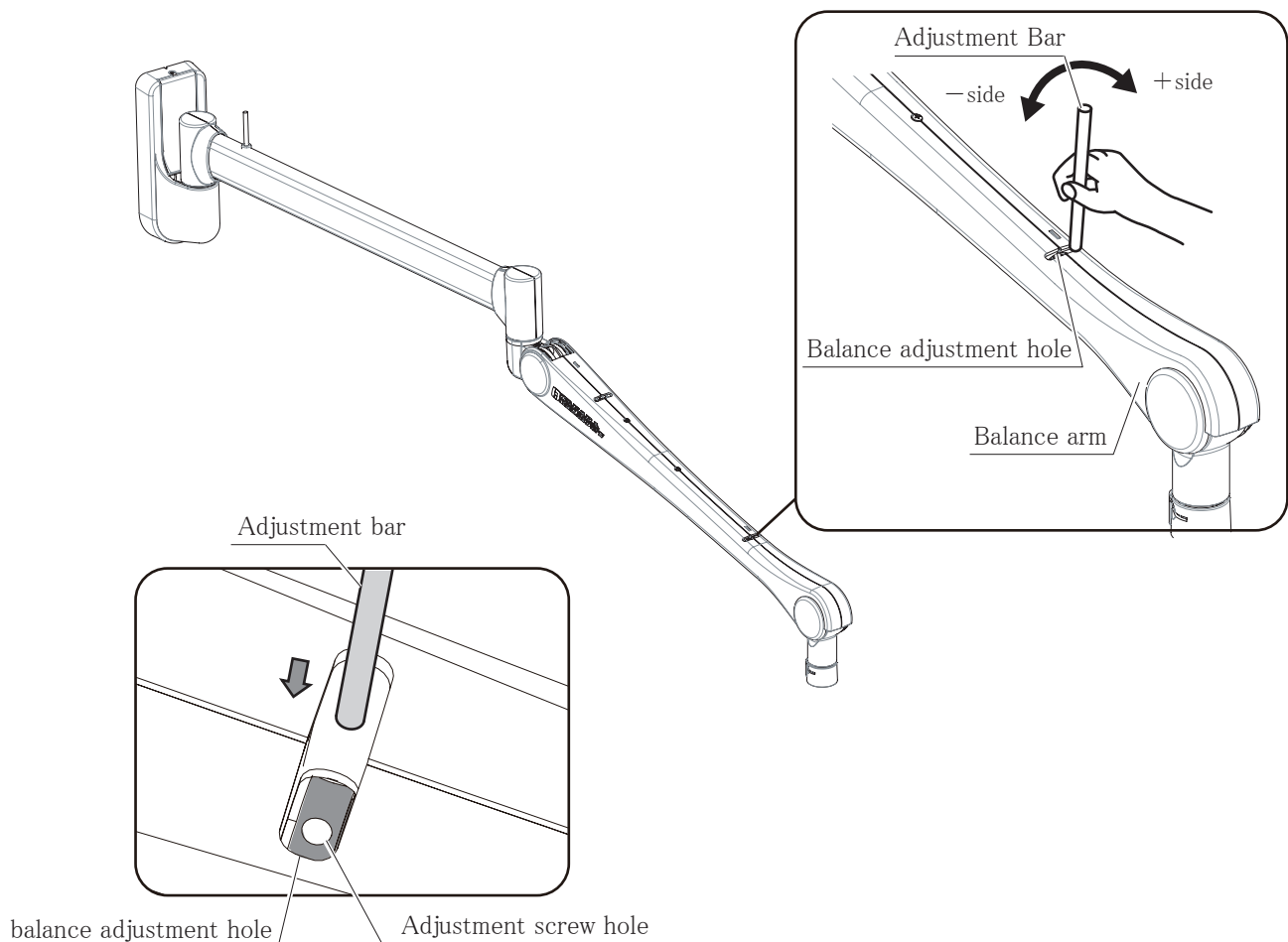
- ① Move the balance arm up and down and then set it in the position where the adjustment screw can be seen in either of the two punch holes (See the illustration at the right).
- ② Insert the adjustment bar into the adjustment screw hole and rotate it in the (-) direction.
Since the amount of the adjustment is not constant, check the balance each time the screw is rotated.

(B) The suspended device goes down from the upper-limit position.

- ① Move the balance arm up and down and then set it in the position where the adjustment screw can be seen in either of the two punch holes (See the illustration at the right).
- ② Insert the adjustment bar into the adjustment screw hole and then rotate it in the (+) direction.
Since the amount of the adjustment is not constant, check the balance each time the screw is rotated.

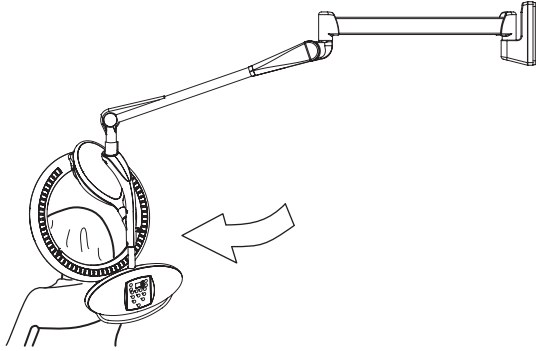


If the balance adjustment is imperfect, the suspended device cannot be held in the specified position, which causes the main unit to descend during practice, resulting in burns or physical injuries to personnel.

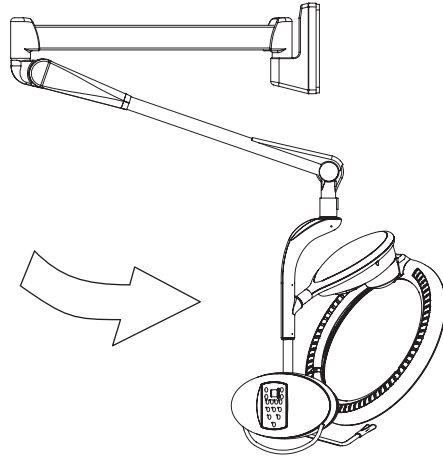


Operating Procedures

1. Hold the device (processor or dryer) mounted at the leading end of the dryer arm and move it to the customer's position.



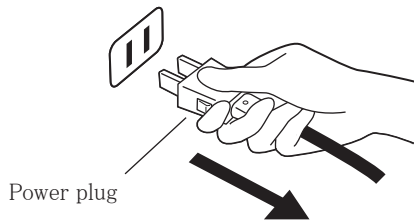
2. After using the device, fold the dryer arm.



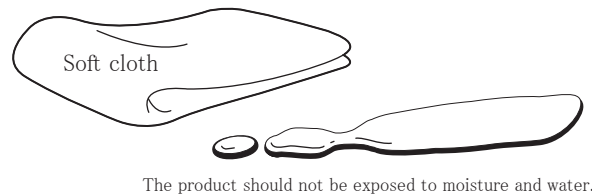
When setting the product, pay attention so that the dryer arm or the device will not contact surrounding facilities or personnel. Furthermore, move the product by holding the product by the grip; move slowly and safely. Failure to heed this warning may cause burns or physical injuries due to product damage.

USER MAINTENANCE INSTRUCTION

Be sure to disconnect the power plug from the wall outlet for maintenance and cleaning of the product.



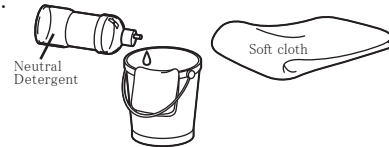
Splashing of water on the control panel or metal parts may result in product failure or rusting. Immediately dry the product with a soft cloth.



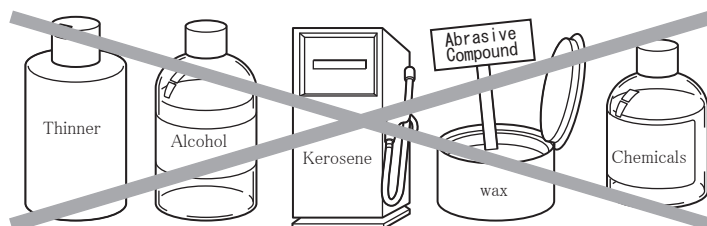
The plastic, plated, or painted parts should be wiped with a dry and soft cloth.



When fixed contamination or oil adheres to the product, wipe it off with a damp cloth with a water-diluted neutral detergent.



Never use volatile chemicals such as thinner, alcohol, gasoline, and kerosene; detergents containing organic materials; acidic-, alkaline- or chlorine-based detergents; and wax containing abrasive compound, sponge, scrubber, etc.



Daily Inspection Procedure



WARNING

Be sure to execute daily inspection according to the following guidelines. Continued use without executing the daily inspection may result in failure or accidents.

To use the product safely, be sure to execute the following inspections.

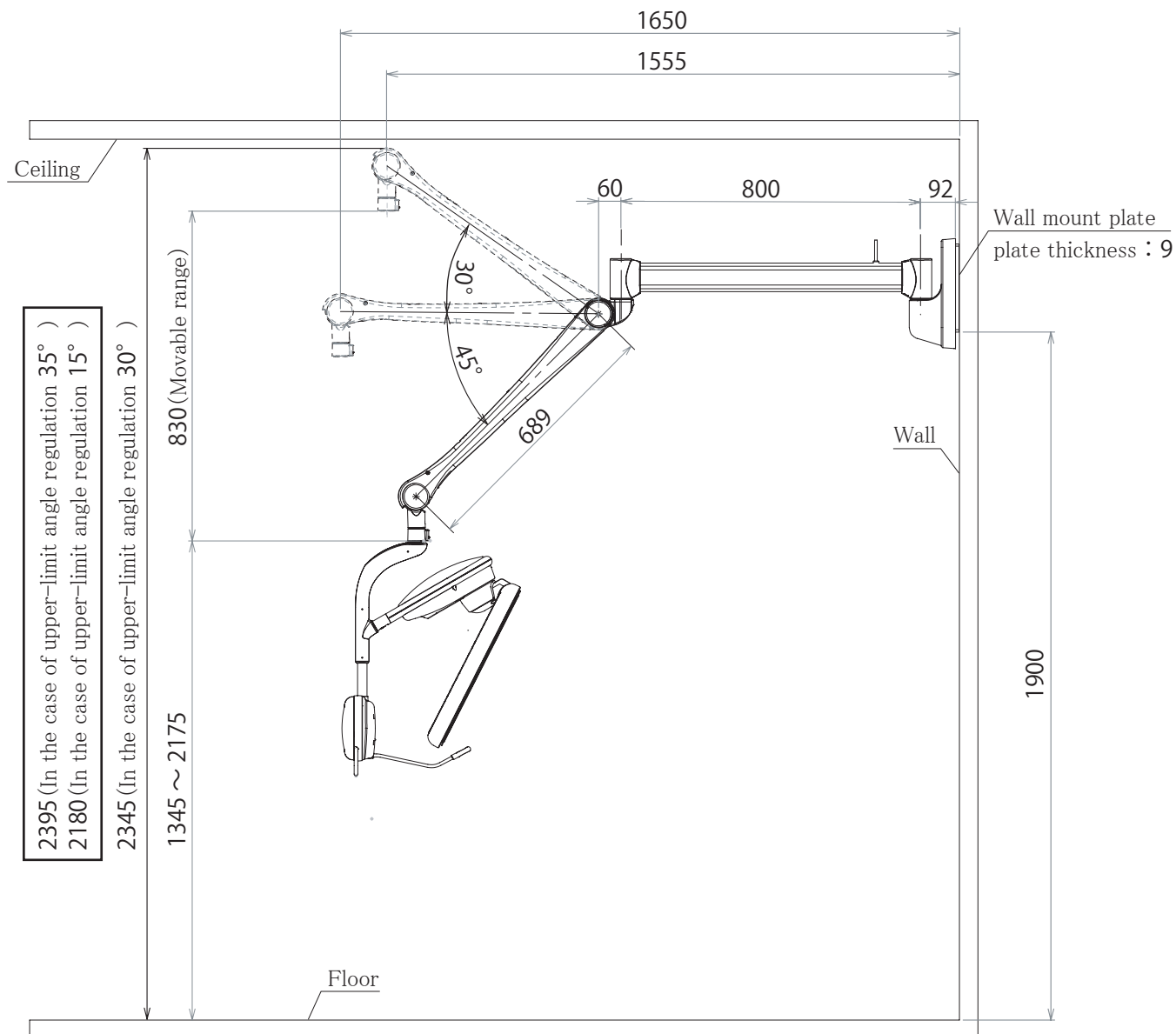
■ Daily Inspection Items (Pre-Operation Check)

Inspection Item	Inspection Procedures	If the inspection result is unacceptable
<input type="checkbox"/> Check if there is no deformation, breakage, or deterioration on the power plug or the power cord.	<p>Checks before operating the product:</p> <input type="checkbox"/> There is no deformation, breakage, or deterioration of the power plug or the power cord.	<p>There is a possibility of electrical shock or burn injuries due to fire or electrical leakage. Since some parts must be replaced, immediately stop using the product, turn off the power plug, and immediately contact the nearest dealer or Takara Belmont directly.</p>
	<p>Checks while the product is in operation (this is limited to the case that there is no deformation, breakage, or deterioration of the power plug or the power cord.)</p> <input type="checkbox"/> The power plug or the power cord may be heated when it is deteriorated. While the product is in use, touch the power plug and the power cord with a hand and make sure that they are not hot.	
<input type="checkbox"/> Make sure the wall bracket is not loose.	Move the device mounted on the dryer arm and check the action.	If you suspect something is wrong, such as the bracket swings at the base part on the wall, disconnect the power plug and immediately contact the nearest dealer or Takara Belmont directly.
<input type="checkbox"/> Make sure the device mounted on the dryer arm is not loose.	Move the device mounted on the dryer arm and check the action.	If you suspect something is wrong, such as the arm swings at the connecting part, disconnect the power plug and immediately contact the nearest dealer or Takara Belmont directly.
<input type="checkbox"/> Make sure the dryer arm operates safely without any problem.	Move the device mounted on the dryer arm and check the action.	If you suspect something is wrong, disconnect the power plug and immediately contact the nearest dealer or Takara Belmont directly.

Any other servicing should be performed by an authorized service representative.

Dimensions and Specifications

[Unit : mm]



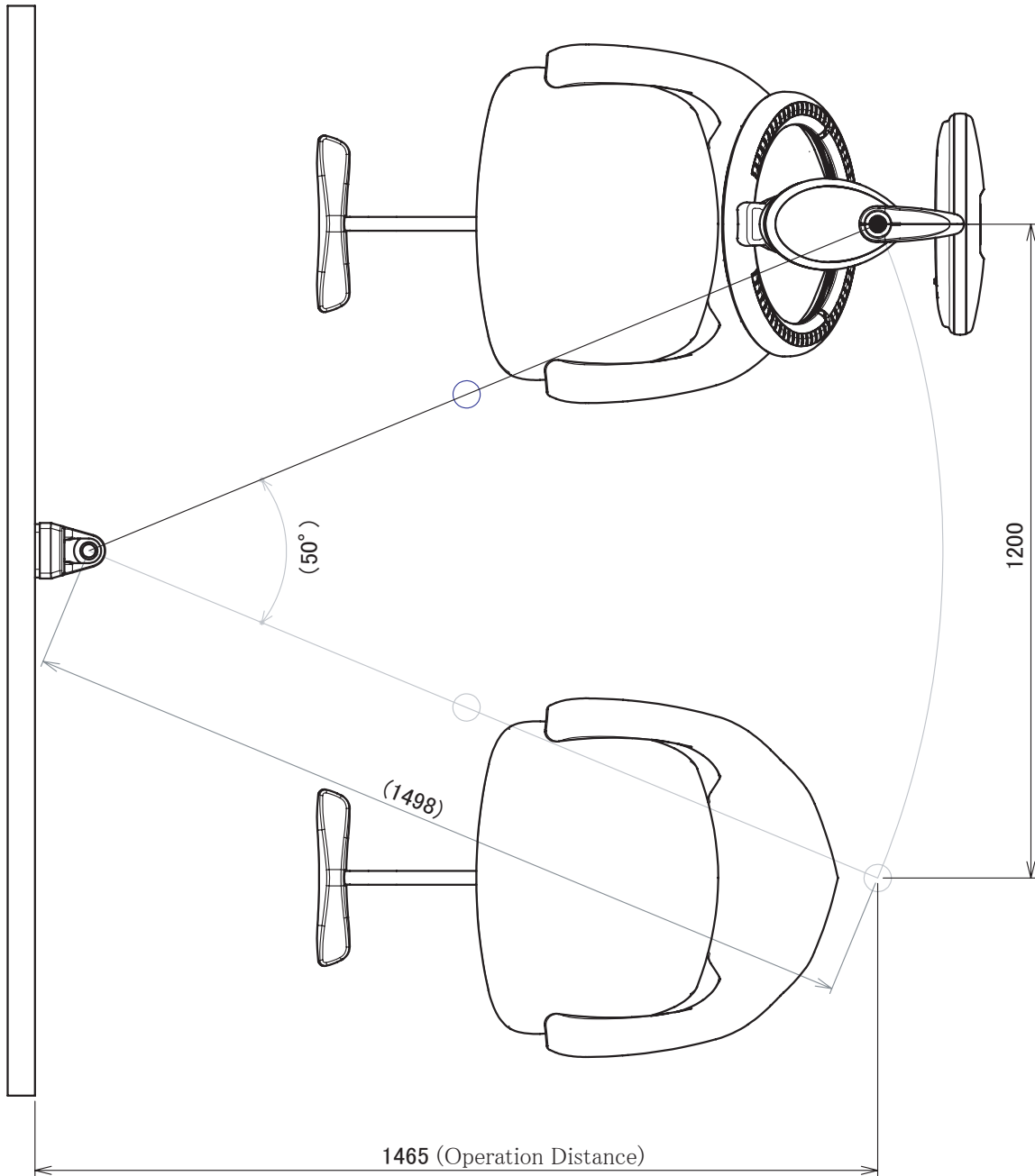
* The values are reference values when the lower end of the wall mount plate is installed at a height of 1900 mm from the floor surface.

Model No.	AY-DRASN
Weight	10.0kg
Suspended device weight range	7.5kg ~ 10kg
Upper-limit angle adjustment range	15° ~ 35°
Operating Temperature Range	10°C~40°C
Operating Humidity Range	30%~75%RH
Power Cord Length	2 m

* The respective specifications are subject to change without notice.

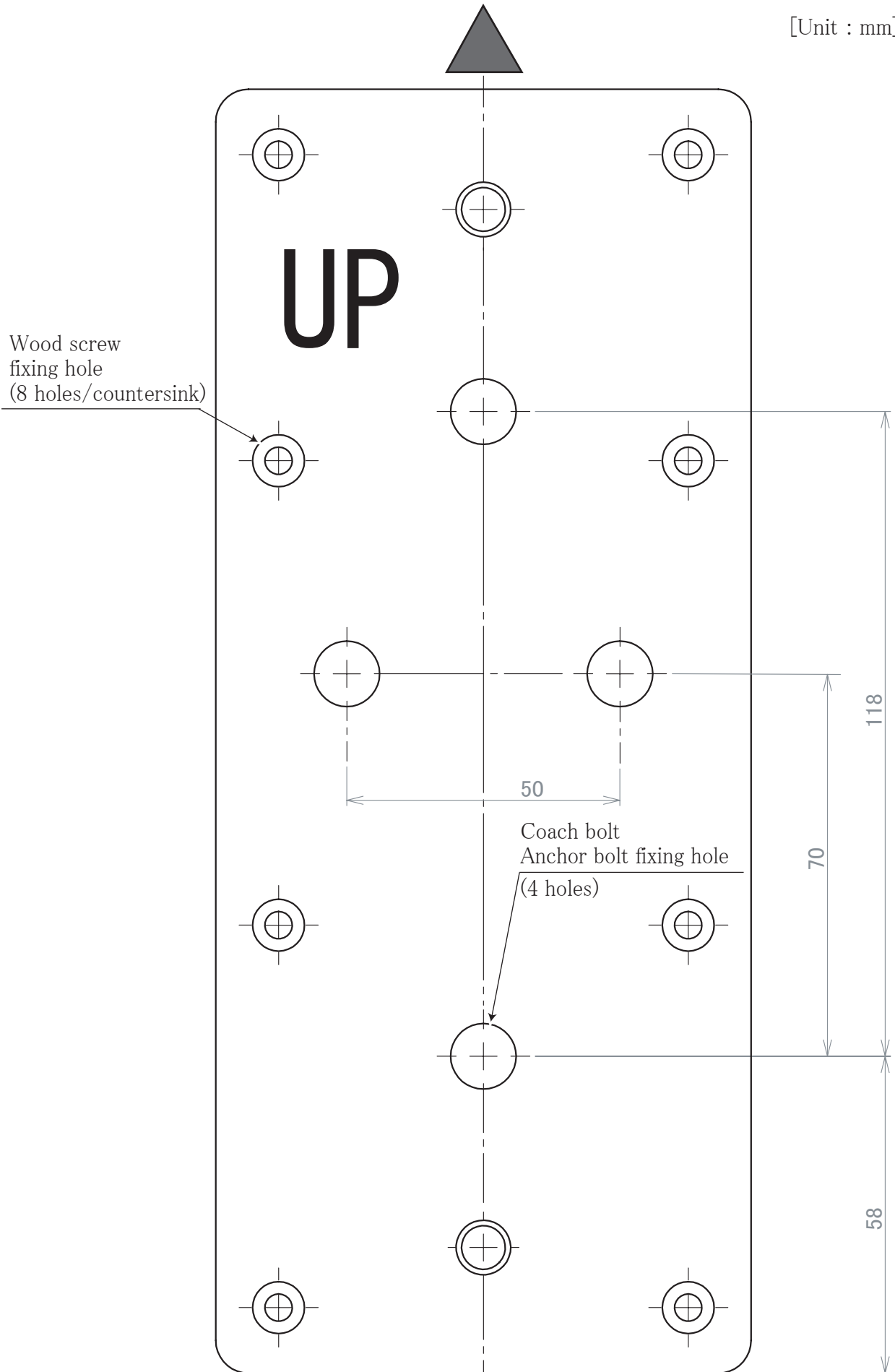
Dimensions and Specifications

[Unit : mm]



Wall Mount Plate

[Unit : mm]



Wood screw
fixing hole
(8 holes/countersink)

UP


50

Coach bolt
Anchor bolt fixing hole
(4 holes)

118

70

58

CAUTION  Height of the installation point to be decided referring to the above illustration. Neglecting this caution may cause an inconvenient use of the product.



Standard Height
1900 (From the floor)