

YUME ESPOIR YUME SUITE YUME NOBLE

Installation Instructions

■ YUME ESPOIR

■ YUME SUITE

■ YUME NOBLE

○ Basin body

AX-EXESYM*

[For Back wash (same as YUME basin)]

○ Seat body

AY-SCESF* [ESPOIR Fixed Legrest]

AY-SCESL* [ESPOIR Movable Legrest]

AY-YMSI* [SUITE]

○ Seat

AY-SUESB* [ESPOIR Basic]

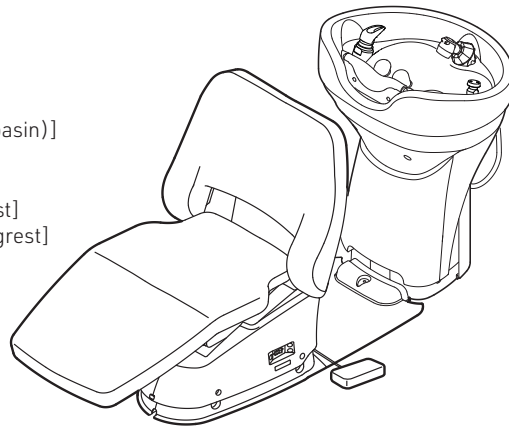
AY-SUESP* [ESPOIR Premium]

AY-YMSIUS* [SUITE]

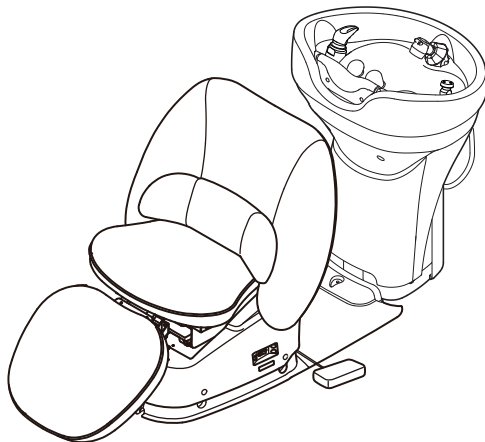
AY-YMNBUS* [NOBLE]

○ Base plate

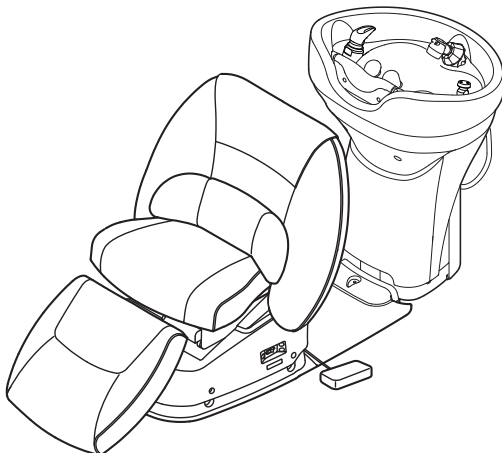
EA-ESBP



(Image is of AY-ESYM*/AY-SCESF*/AY-SUESF*/EA-ESBP)



(Image is of AY-ESYM*/AY-YMSI* /AY-YMSIUS*/EA-ESBP)



(Image is of AY-ESYM*/AY-YMSI*/AY-YMNBUS*/EA-ESBP)

Contents

Before installation	2
Usage conditions	9
Content of Packing	10
Carrying the Unit & Chair	16
Installation of Unit & Chair	17
1 Install the Unit	17
2 Piping	19
3 Checks after installation of pipes	20
4 Install the Chair	21
5 Remove PP band	23
6 Fix legrest and link	23
7 Wiring	24
8 Attach base cover	25
9 Check operation (1)	
(after assembling the seat)	26
10 Attach backrest and seat	27
11 Check operation (2)	
(after attaching the backrest and seat)	28
Checking	29
After installation	29
Attach head pillow	29
Attach hair catcher and drain cap	30
Unit & Chair attachment diagram	31

To the installer

- The instructions should be thoroughly read and understood before installation to ensure that the product is installed correctly.
- After installation, give these instructions to the customer.

To the customers

- Customers must not install the product by themselves.
- Customers must store these instructions in a safe place so as not to lose them.

* The actual shape of the product and the images and dimensions listed in these instructions may be modified and are subject to change without notice.

- The precautions listed here are to ensure that the product can be installed safely, and to prevent any danger or risk to the person installing the product or those around them. All of these precautions are important for safety. Takara Belmont is not responsible for any damage or risk to the person installing the product or those around them due to accidents if the product is installed without adhering to the precautions.

⚠ Precaution

If the product is installed after ignoring this symbol, "there is the risk of light or moderate injury or physical damage".

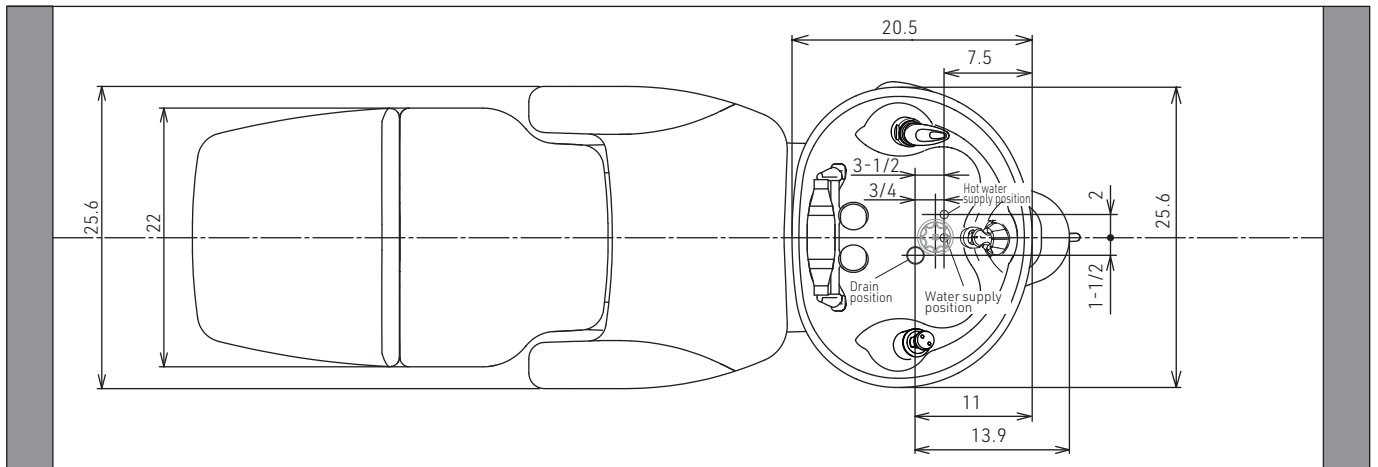
Overall layout diagram : YUME ESPOIR

Basin body: AY-EXESYM* [For Back wash (same as YUME basin)]

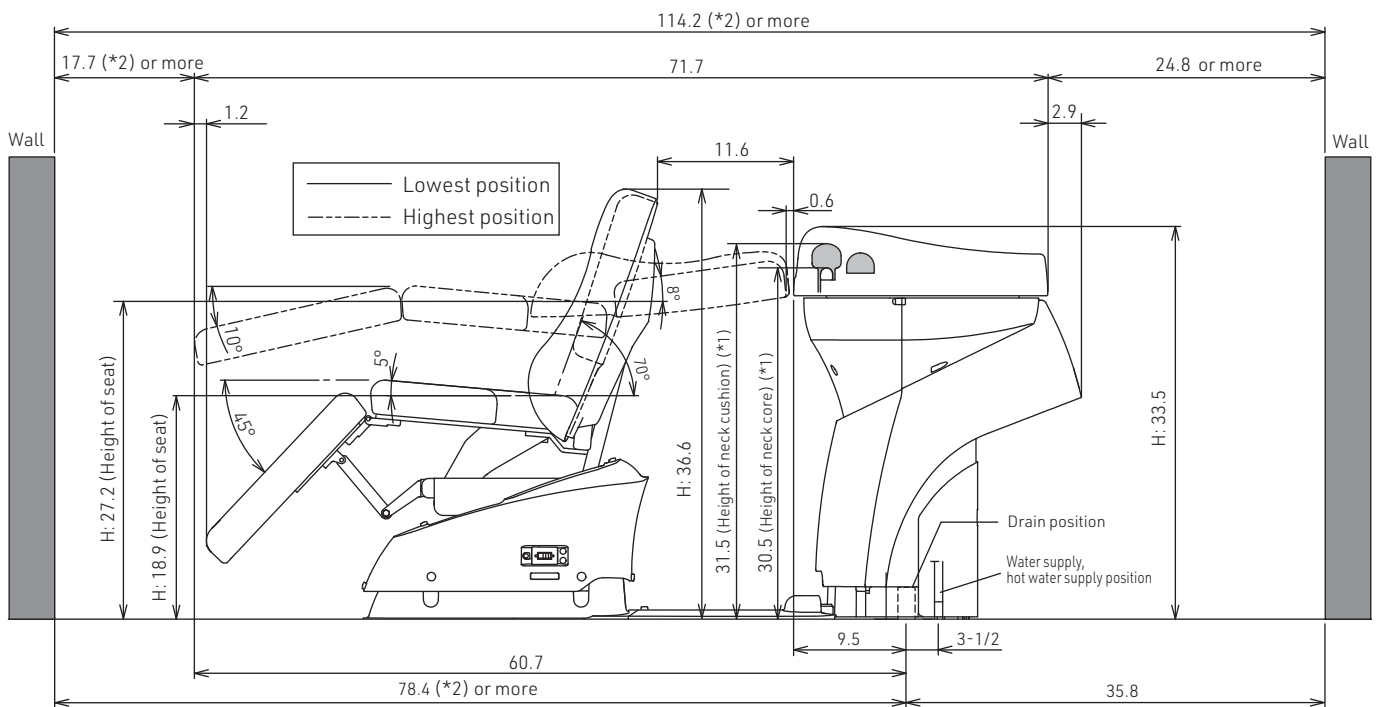
Seat body: AY-SCESL* [ESPOIR Movable legrest]

Seat: AY-SUESB* [ESPOIR Basic]

■ Top view

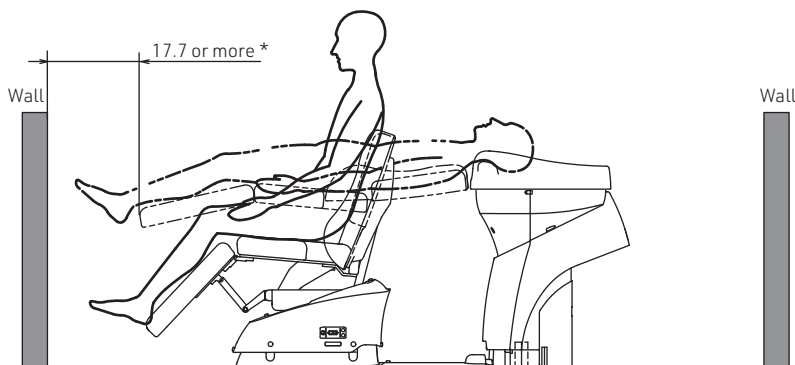


■ Side view * External dimensions in the diagram below are for the H specification basin body and seat body.



*1 The dimensions listed above may vary slightly from product to product.

*2 Ensure that there is ample space surrounding the seat for extremely tall customers or if the surrounding area is used as a passageway.



	Height of neck cushion	Height of neck core
AY-EXESYM*	31.5	30.5

* The height of the neck cushion may vary slightly from product to product.

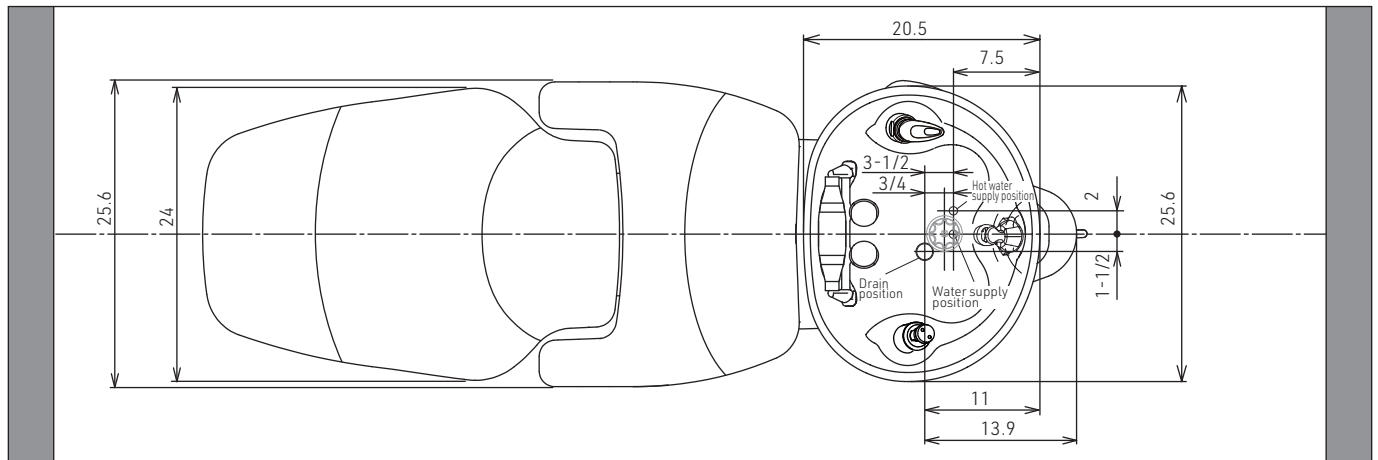
Overall layout diagram : YUME ESPOIR

Basin body: AY-EXESYM* [For Back wash (same as YUME basin)]

Seat body: AY-SCESF* [ESPOIR fixed legrest]

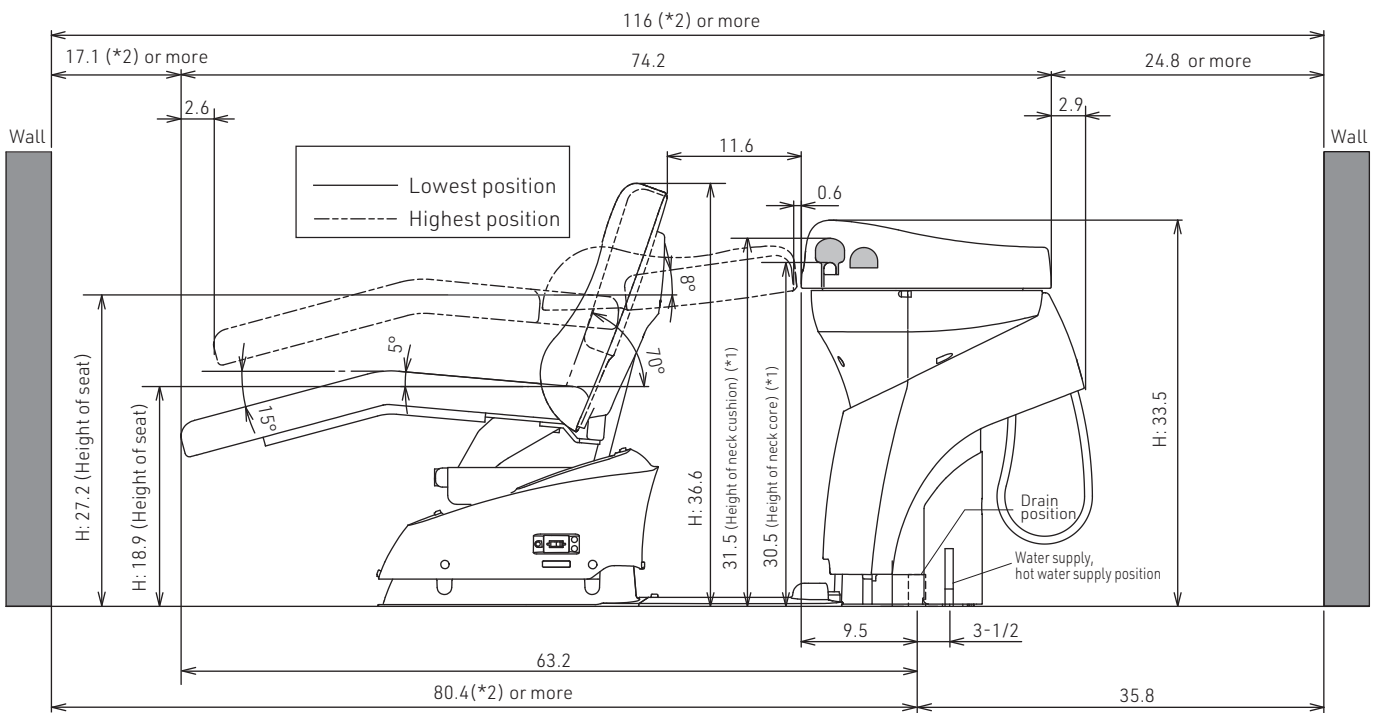
Seat: AY-SUESP* [ESPOIR Premium]

■ Top view



■ Side view

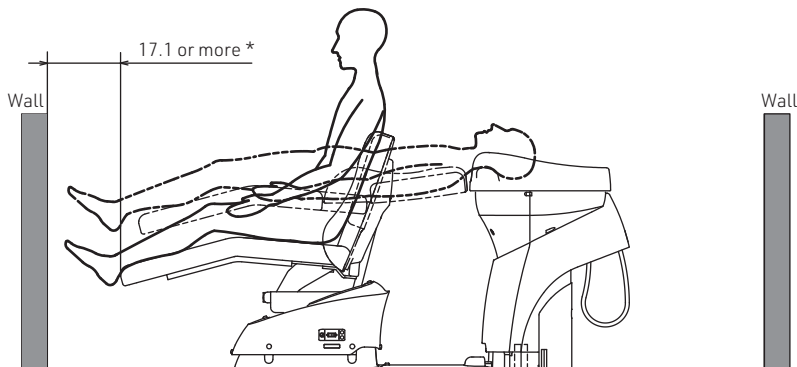
* External dimensions in the diagram below are for the H specification basin body and seat body.



*1 The dimensions listed above may vary slightly from product to product.

*2 Ensure that there is ample space surrounding the seat for extremely tall customers or if the surrounding area is used as a passageway.

	Height of neck cushion	Height of neck core
AY-EXESYM*	31.5	30.5



* The height of the neck cushion may vary slightly from product to product.

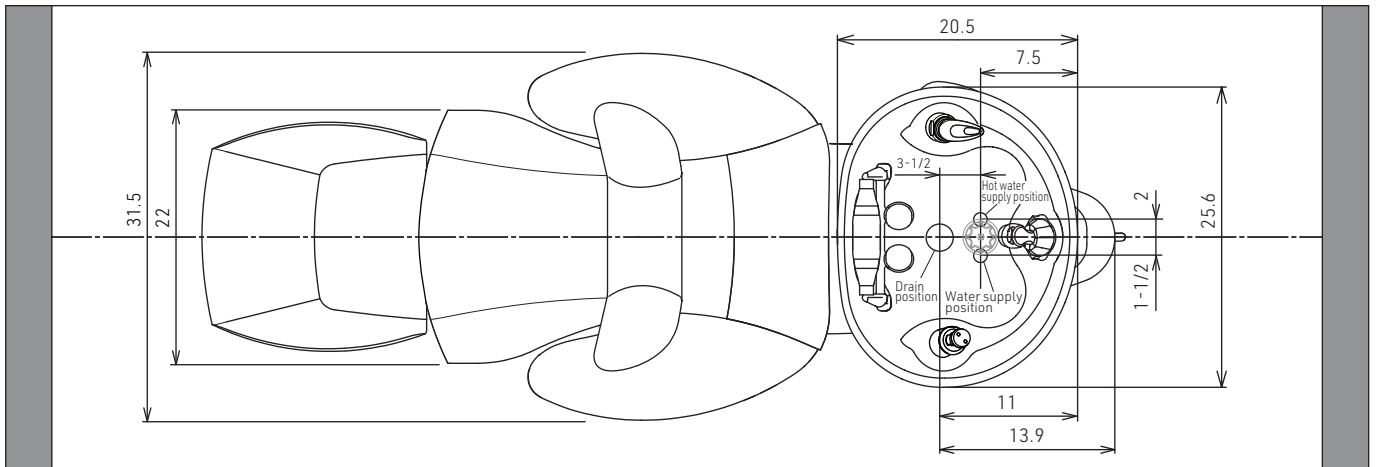
Overall layout diagram : YUME NOBLE

Basin body: AY-EXESYM* [For Back wash (same as YUME basin)]

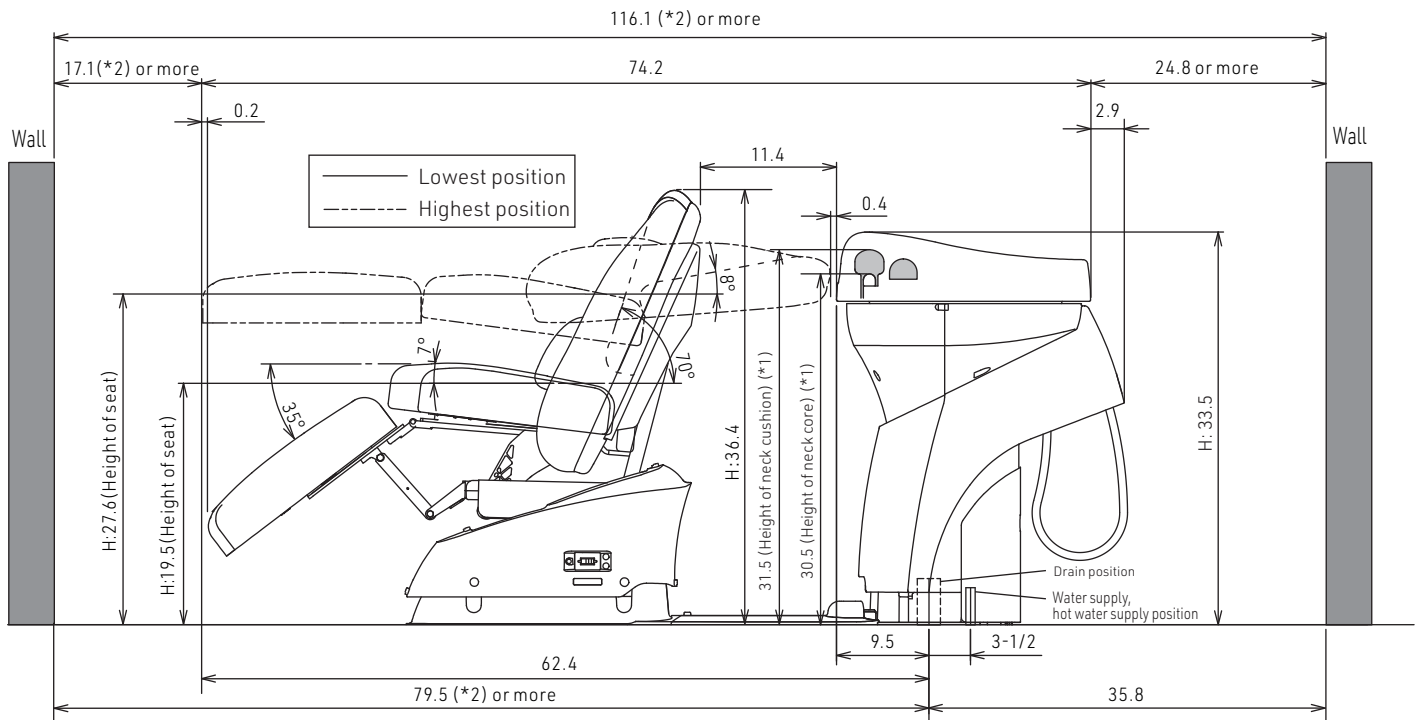
Seat body: AY-YMSI* [SUITE]

Seat: AY-YMNBUS* [NOBLE]

■ Top view

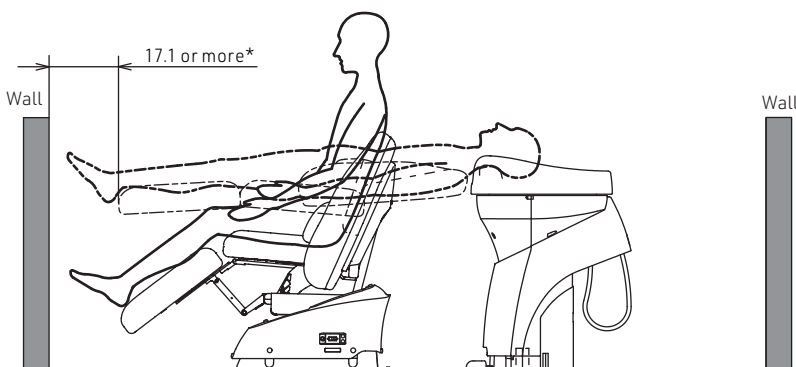


■ Side view * External dimensions in the diagram below are for the H specification basin body and seat body.



*1 The dimensions listed above may vary slightly from product to product.

*2 Ensure that there is ample space surrounding the seat for extremely tall customers or if the surrounding area is used as a passageway.



	Height of neck cushion	Height of neck core
AY-EXESYM*	31.5	30.5

* The height of the neck cushion may vary slightly from product to product.

■Power

To turn the power on, install the A-2 plug.

When the plug is changed due to a reason related to the customer, install a power plug that is suitable for the product.

[Rated current]	[Rated frequency]	[Rated electricity consumption]
120V Specifications	50/60Hz	5.7/3.4A

■Connecting to ground

To prevent accidents from occurring in the unlikely event of electrocution, and to improve noise resistance within control circuits, always install the ground designed for this product.

●Do not connect the ground cable to any of the following:

- Water pipes: any PVC pipes within the plumbing system will prevent a proper ground connection.
- Gas pipes: there is a risk of an explosion or fire.
- Telephone cables, lightning rods: there is a risk of a large current if there is a lightning strike.



Precaution

Handling power plugs

Check the power plugs are free from dust, and insert the plug all the way to the base so that there is no rattle. Dusty power plugs or improper connections can cause electrocution or fires.

Handling power cables

Do not subject power cables to excessive forces, modify, twist or bend them. Power cables can become severed if they are placed under heavy objects or become trapped within tight areas, and can cause electrocution or fires.

Handling power outlets

Use power outlets for one appliance only, and always connect the ground terminal. The use of multi-outlet extension cords can generate heat where the power outlet is divided, and can cause fires.

Handling circuit breakers and fuses

Always install a circuit breaker and fuse with the power outlet. Check that the white cable is neutral, and that the circuit breaker and fuse are connected properly to the neutral side of the power outlet. Installing circuit breakers off users incorrectly can cause electrocution.

Remove the power plug during inspections

Remove the power plug before conducting inspections or adjusting settings within the unit of YUME ESPOIR. Coming into contact with electrical part while the power is connected may cause electrocution.

■Floor surface

- Ensure that the material or finishing of the floor surface is waterproof or has a waterproof coating applied.
- Always ensure that the floor surface is horizontally level.
- Ensure that the floor surface is smooth and free from bumps around the attachment areas.
- Installing pipes

[Pipe specifications]

Hot water supply / water supply	3/8"; pipe risers from floor; rise dimensions: hot water 5"; water 1-1/2"
Drainage	Pipe risers from floor; rise dimensions: 2.0"

○If the floor surface is tiled, cracks may occur when fastening the bolts during installation of the YUME ESPOIR main body. If this looks likely to happen, use the main body attachment diagram and template as a reference and change the material of the attachment area that is in contact with the floor to another such as plywood or mortar.

Take care during installation as the entire base surface of the seat is not in contact with the floor.

○The following levels of strength are required for the floor surface.

Wooden floor	Plywood thickness of 1-1/2" or more (two sheets joined together)
Mortar floor	Mortar thickness of 2" or more
Special floor (stone finish)	A foundation with levels of strength listed above around the installation areas is required.

■Preventing water leakage

○If this product is to be installed upstairs, ensure that the installation area has been coated with waterproof materials (waterproof finish, installation of a stainless steel pan or a water leakage sensor).

○Fill the space between the installation area and pipe with caulking materials.

■ Installation of pipes

The following are important points to adhere to during the installation of pipes.

Read through the details carefully and ensure that the pipes are installed correctly.

- When installing this product, ensure that installation of pipes adheres to the instructions outlined in "Precautions during installation of pipes". Installing pipes without reading through the precautions will mean water may not mix properly, and a set temperature will not be achieved.
- This product is designed for indoor installation. Always install this product indoors.

■ Precautions during installation of pipes

- Do not use pipes made of materials that may introduce rust for the water supply pipe.
In general, VP pipes or other materials specified by regulations in that particular region, are recommended for installation.
- In general, Type L deoxidized copper pipes are recommended for hot water pipes.
- In general, the same diameter and same pressure is recommended for hot water pipes and water supply pipes.
- Always use a reamer to deburr the ends of cut pipes.
- Avoid using inverted U-shaped pipes (siphon) as these can cause air to become trapped.
- Always connect hot water pipes and water supply pipes after removing all contaminants such as dirt, sand and oil as these can cause problems.
- After connecting the pipes and testing water flow, clean the filter and shower head.
- Ensure that the drain pipe is installed at a gradient of 1/4" for a diameter of $\phi 3.0$ " or less, or 1/8" for a diameter of $\phi 3.0$ " or more.
- Do not connect the hot water pipes and water supply pipes in reverse.
Connecting pipes in reverse will mean the temperature of water cannot be controlled properly by the water taps, which can cause problems including burns.
- Ensure that the hot water pipes from water boilers are only run over a short distance so as to minimize resistance.
Longer pipes can cause fluctuations in temperature and poor hot water delivery.
- Always wrap pipes with lagging material after installation is complete.
- Water boiler pipes
 - In general, the same diameter and same pressure is recommended for main hot water pipes and main water supply pipes.
- Equipment comes with hair catchers installed.

Usage conditions

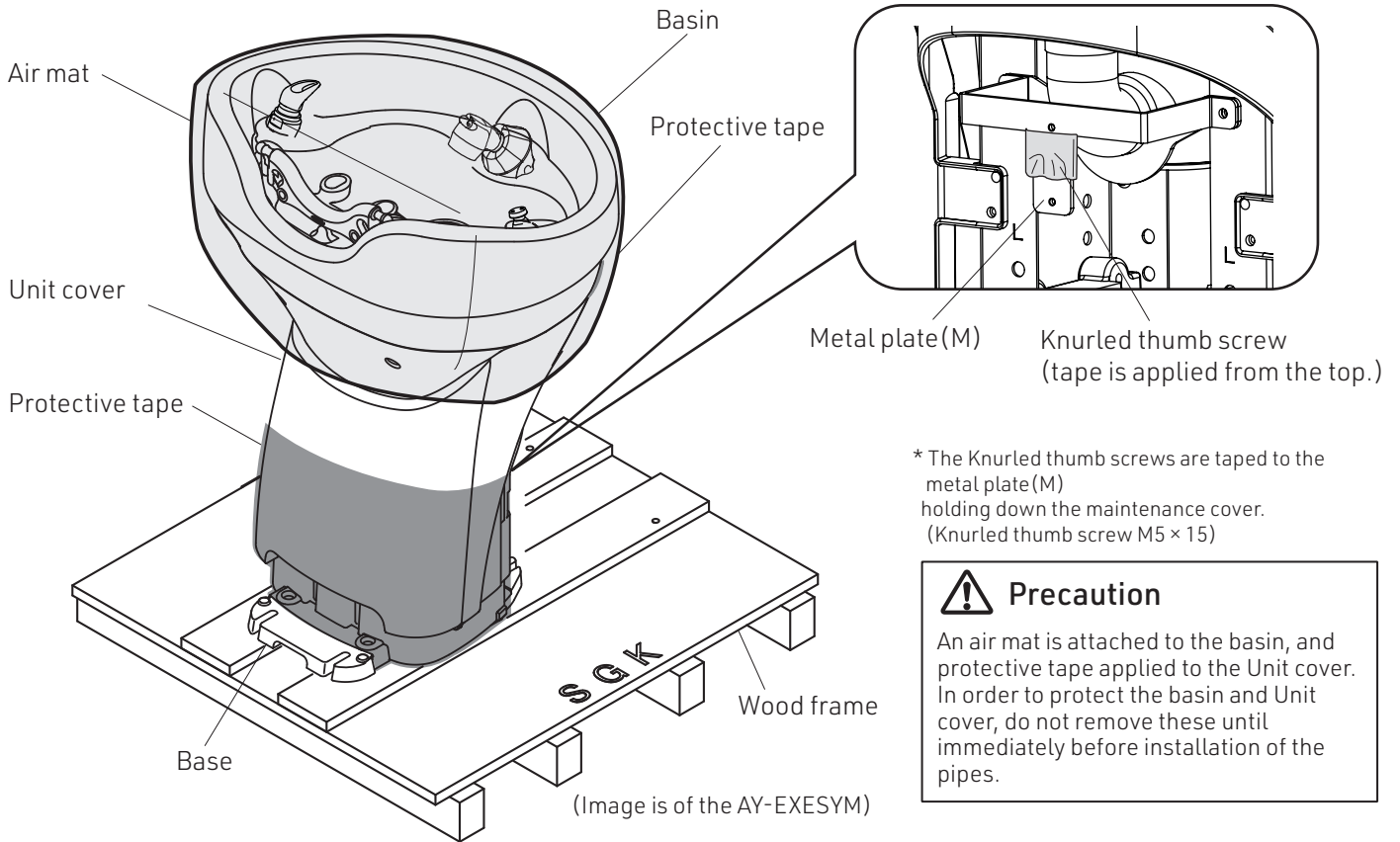
■ Hot water supply and water supply conditions

Water used	<ul style="list-style-type: none"> • Public water supply (do not use non-drinkable well water or water that contains rust or sand.) • If the water hardness is 80 ppm or higher, install a water softener to prevent the buildup of scale within the unit. Aeration may be minimal when using shampoo even if drinkable well water is used, so a water softener should be installed.
Hot water supply, water supply pressure	<ul style="list-style-type: none"> • Use a pressure set between 14.5 to 58.0 psi. If multiple YUME ESPOIR are used, ensure that the pressure does not drop below 14.5 psi. • Set the water supply pressure \geq hot water supply pressure. • Set the difference between the hot water supply pressure and water supply pressure to within 29.0 psi.
Hot water temperature into the product	<ul style="list-style-type: none"> • Set the hot water temperature to 140°F or less. • Set the temperature 50°F or higher than the shower temperature used.
Water boiler	<ul style="list-style-type: none"> • Do not use steam with the hot water supply.




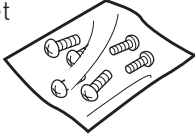
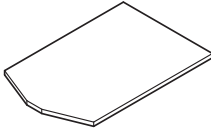
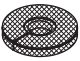
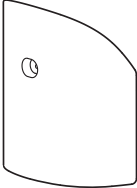
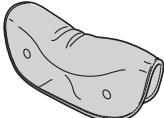
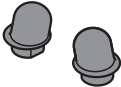
YUME ESPOIR packing

< Unit >

■ Content of packaging

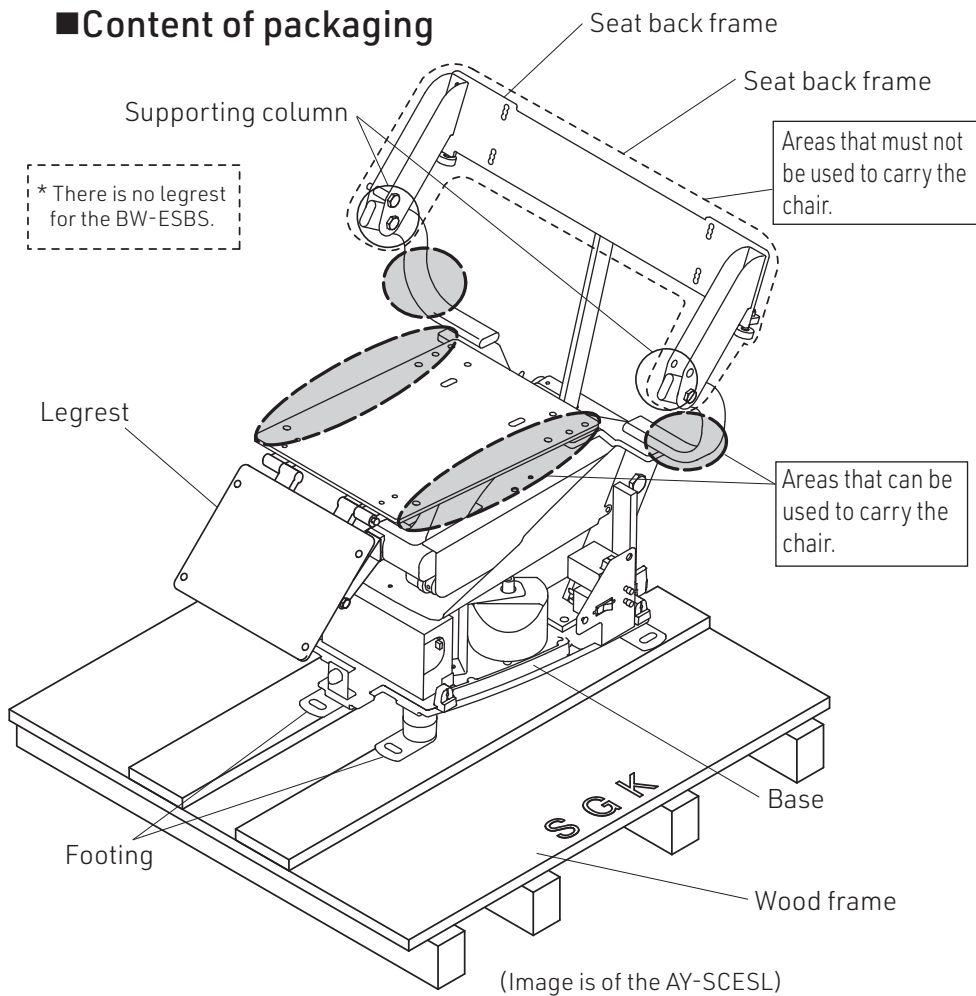


■ Accessories

- Drain cap 
- Hair catcher 
- Cushion tape 
- Unit floor attachment screw set 
- Pipe gasket (sponge) 
- Sponge 
- Maintenance cover 
- Operating Instructions, Installation Instructions (this document)
- YUME SPA Technical Manual
- Neck cushion 
- Head pillow 

<Chair>

■ Content of packaging



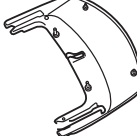
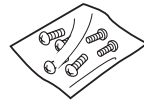


- Cover set
- Base cover R
- Base cover L
- Plate...2
- Base cover fixing screw set
- Chair floor fixing screw set



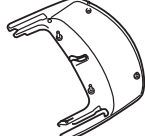

<Seat>

■ Content of packaging

[Fixed legrest type]

- Seat

- Seat back

- Seat back cover

- Seat attachment screw set


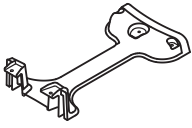
[Movable legrest type]

- Seat

- Seat back

- Seat back cover

- Seat attachment screw set


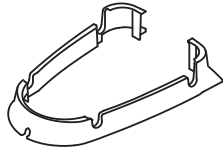
<Base plate>

■ Content of packaging

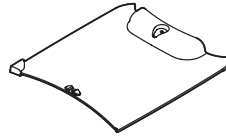
• Base plate H



• Base plate U



• Base plate F

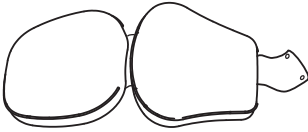


• BP attachment screw set

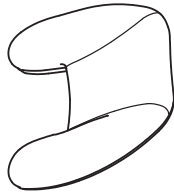


【SUITE】

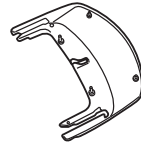
• Seat



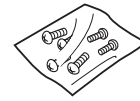
• Backrest



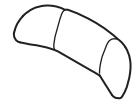
• Backrest cover



• Seat fixing screw set



• Lumbar Cushion

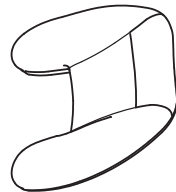


【NOBLE】

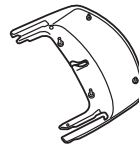
• Seat



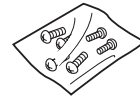
• Backrest



• Backrest cover



• Seat fixing screw set

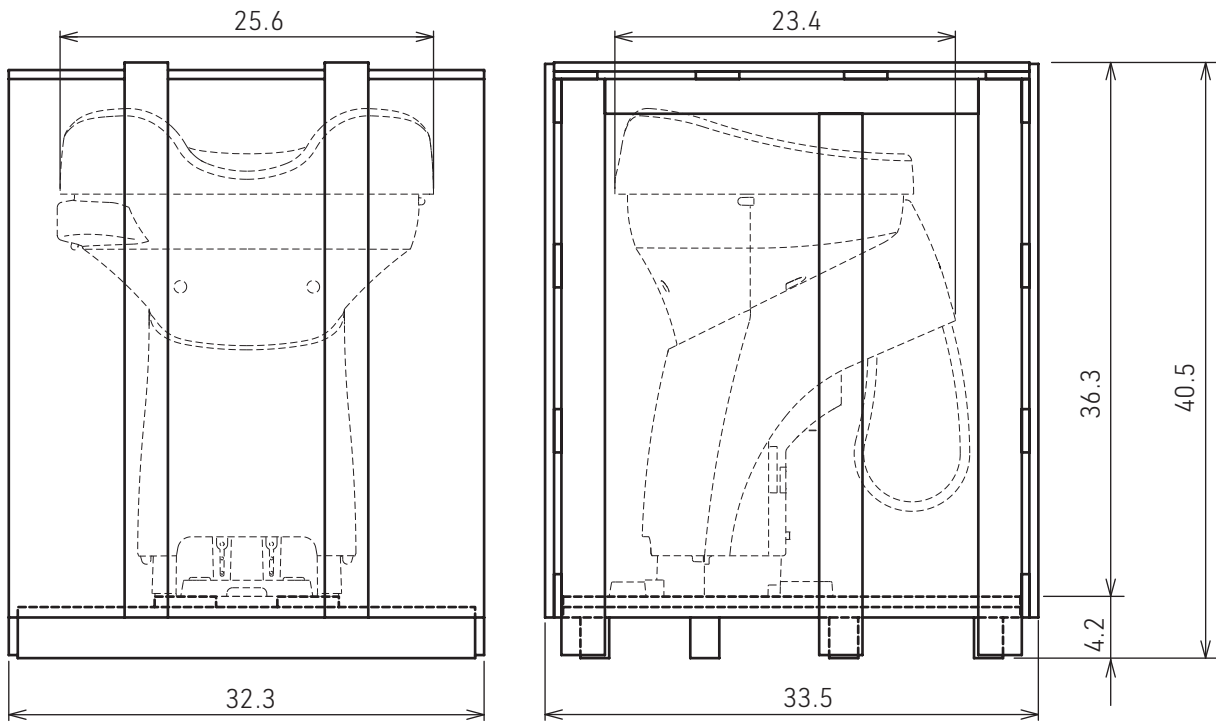


• Lumbar Cushion



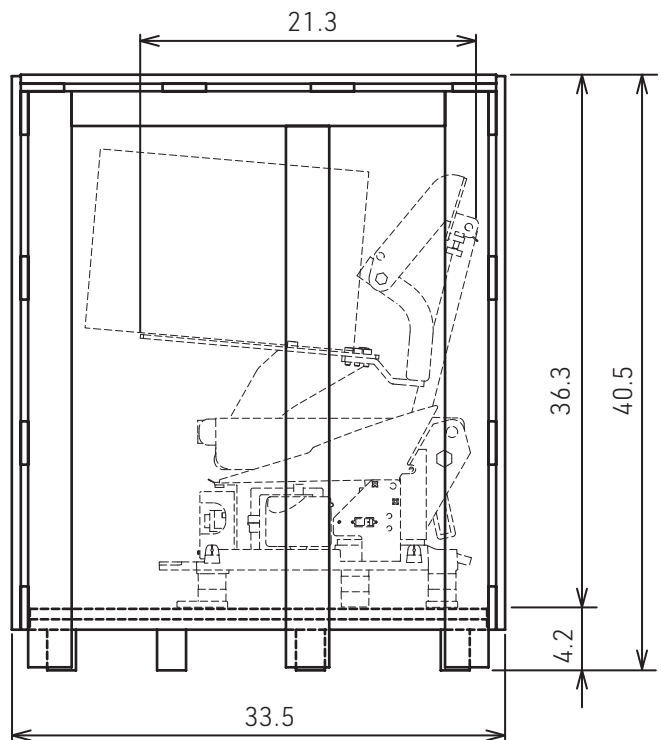
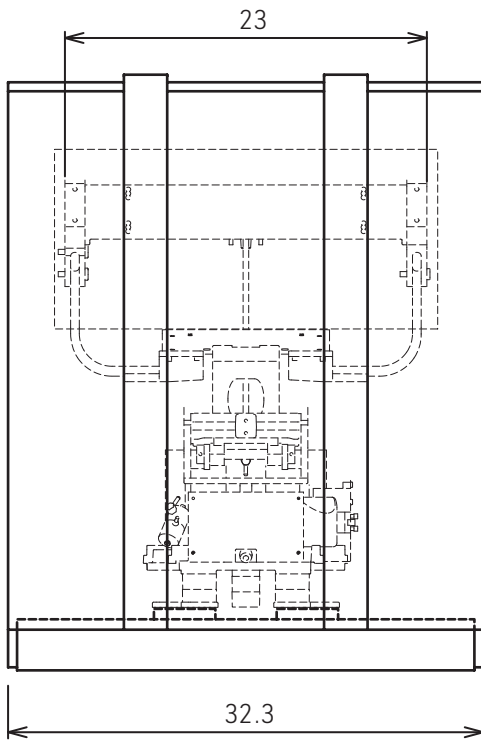
■Packaging shape and size, weight

Unit 81.5 lb, Wood frame 66 lb



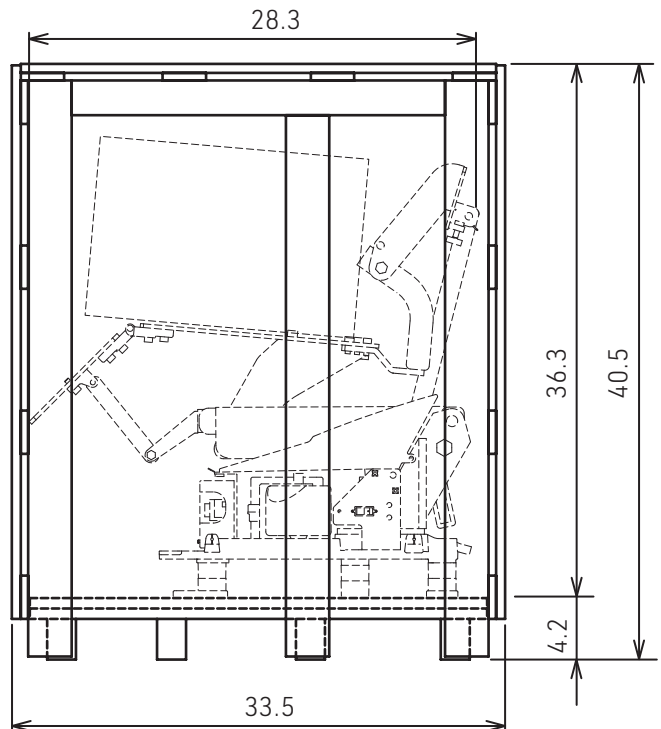
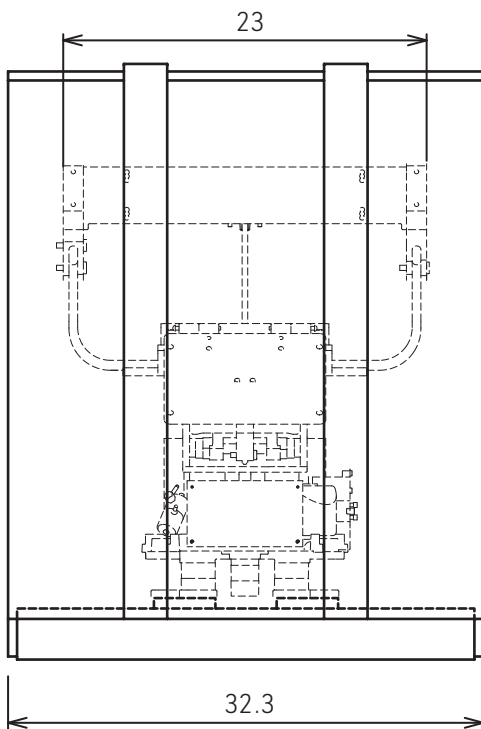
<Chair: Fixed legrest type>

Chair 102.5 lb, Wood frame 66 lb

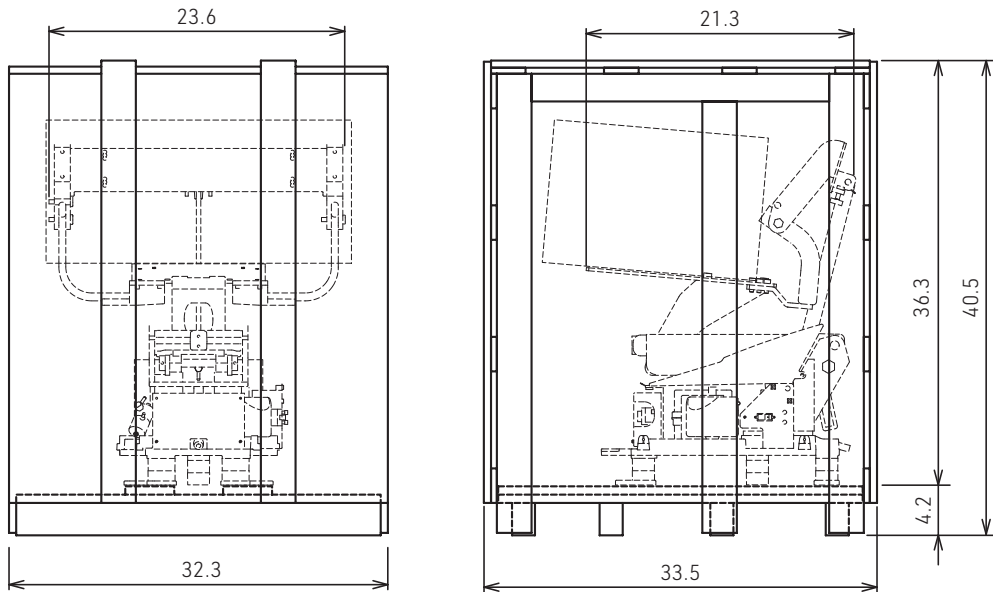


<Chair: Movable legrest type>

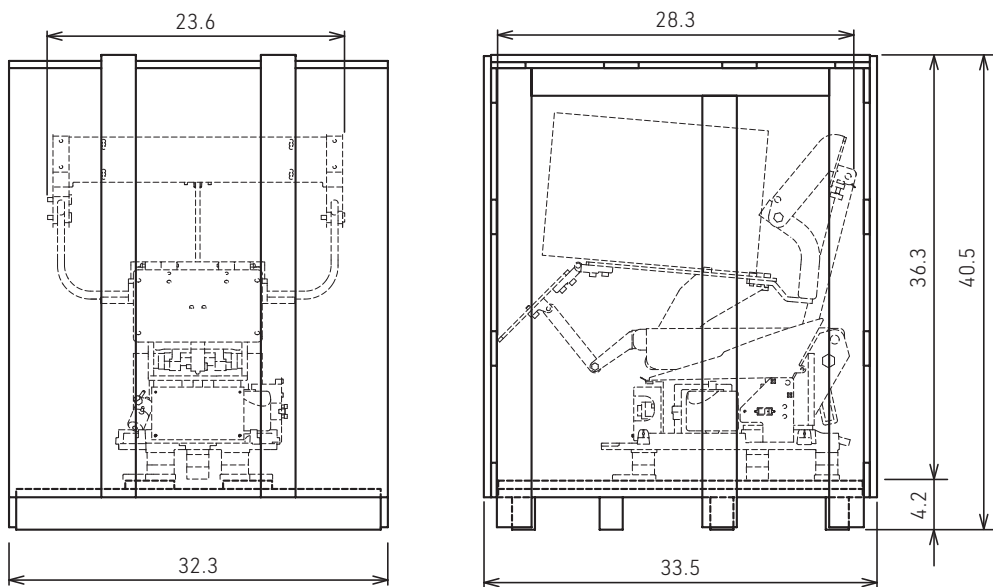
Chair 105.8 lb, Wood frame 66 lb



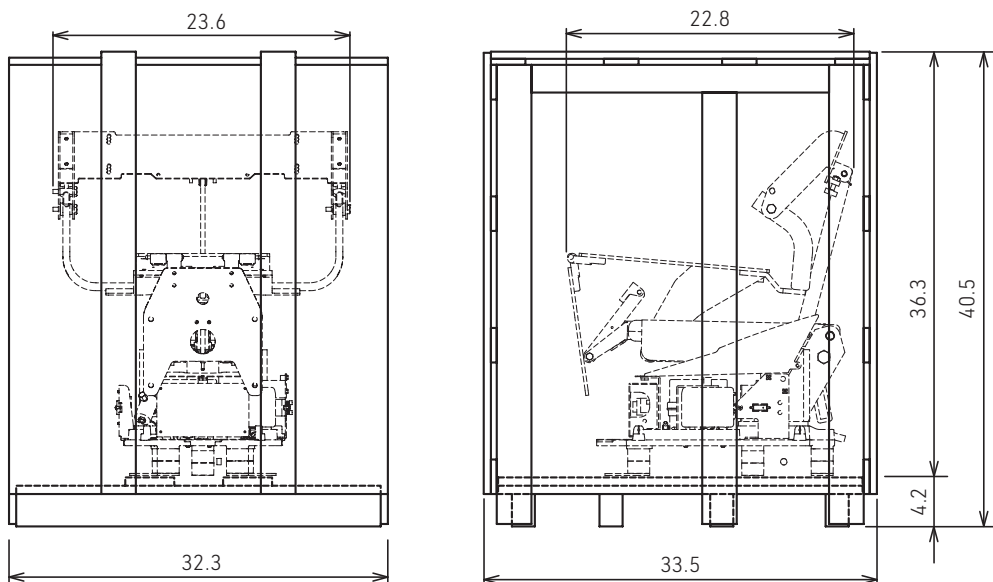
<ESPOIR Seat body: Fixed legrest type> Basin body 102.5 lb, Wood frame 66.1 lb



<ESPOIR Seat body: Movable legrest type> Basin body 105.8 lb, Wood frame 66.1 lb



<SUITE / NOBLE Seat body: Movable legrest type> Basin body 105.8 lb, Wood frame 66.1 lb



Carrying the Unit & Chair

■ Carrying the Unit

- 1 Unpack the wood frame.
- 2 Remove the Unit from the wood frame.
 - Remove the screw attaching the base and wood frame while holding the Unit. (4 points)

⚠ Precaution

Always have at least two people to carry the Unit and hold the basin when remove the bolt.

3 When carrying the Unit

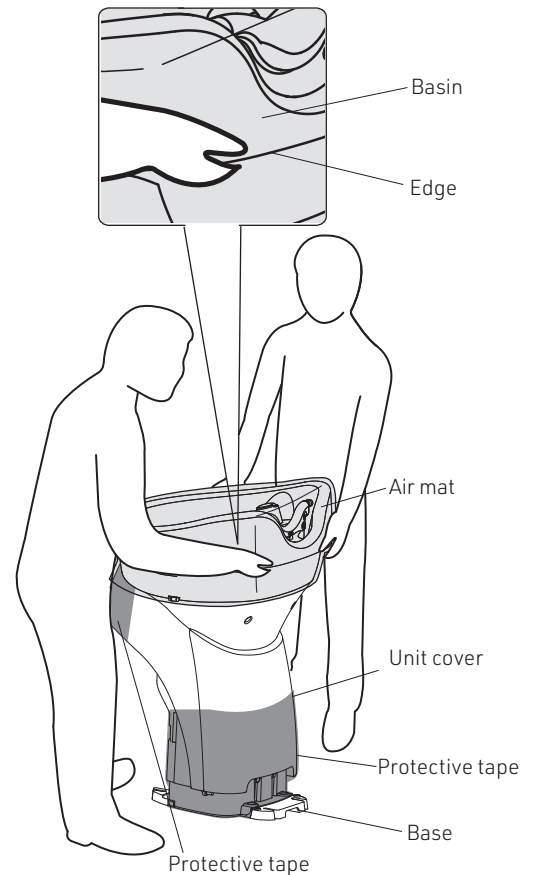
- Do not take off the air mat and the protective tape.
- Carry the body by holding the edge of under the Unit. Do not hold the Unit cover. Always have two at least people to carry the Unit. (see image on right)

⚠ Precaution

- Never hold the Unit cover. Doing so may cause damage to the Unit cover.
- Take care when handling the basin as it is heavy and fragile.
- Do not drag the unit. The foot part of the basin is made of steel, so dragging it may damage the floor surface or crack the basin itself.
- The basin may cause damage if scratched by metallic objects such as watches or belts. Remove all metallic objects such as watches when carrying the basin.
- Take extra care to ensure not to damage the covers.
- Do not touch the in the unit pipes. Doing so may cause water leaks.

⚠ Precaution

The basin is unstable when it is not fixed to the floor.



■ Carrying the Chair

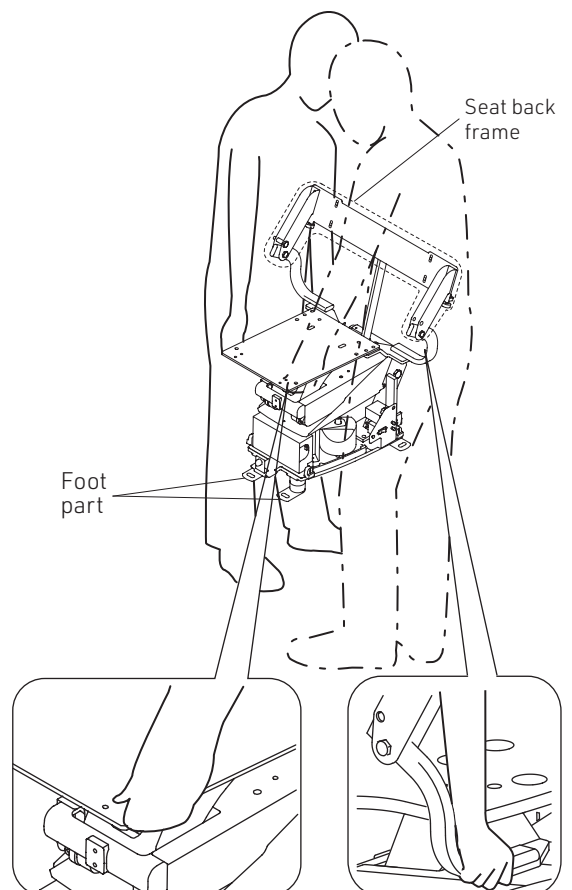
- 1 Unpack the wood frame.
- 2 Remove the Chair from the wood frame.
 - Remove the screw attaching the foot part and wood frame while holding the Chair. (4 points)

3 When carrying the Chair

- Hold the specified points only. (see page 9)
- Always have at least two people to carry the Chair. (see image on right)

⚠ Precaution

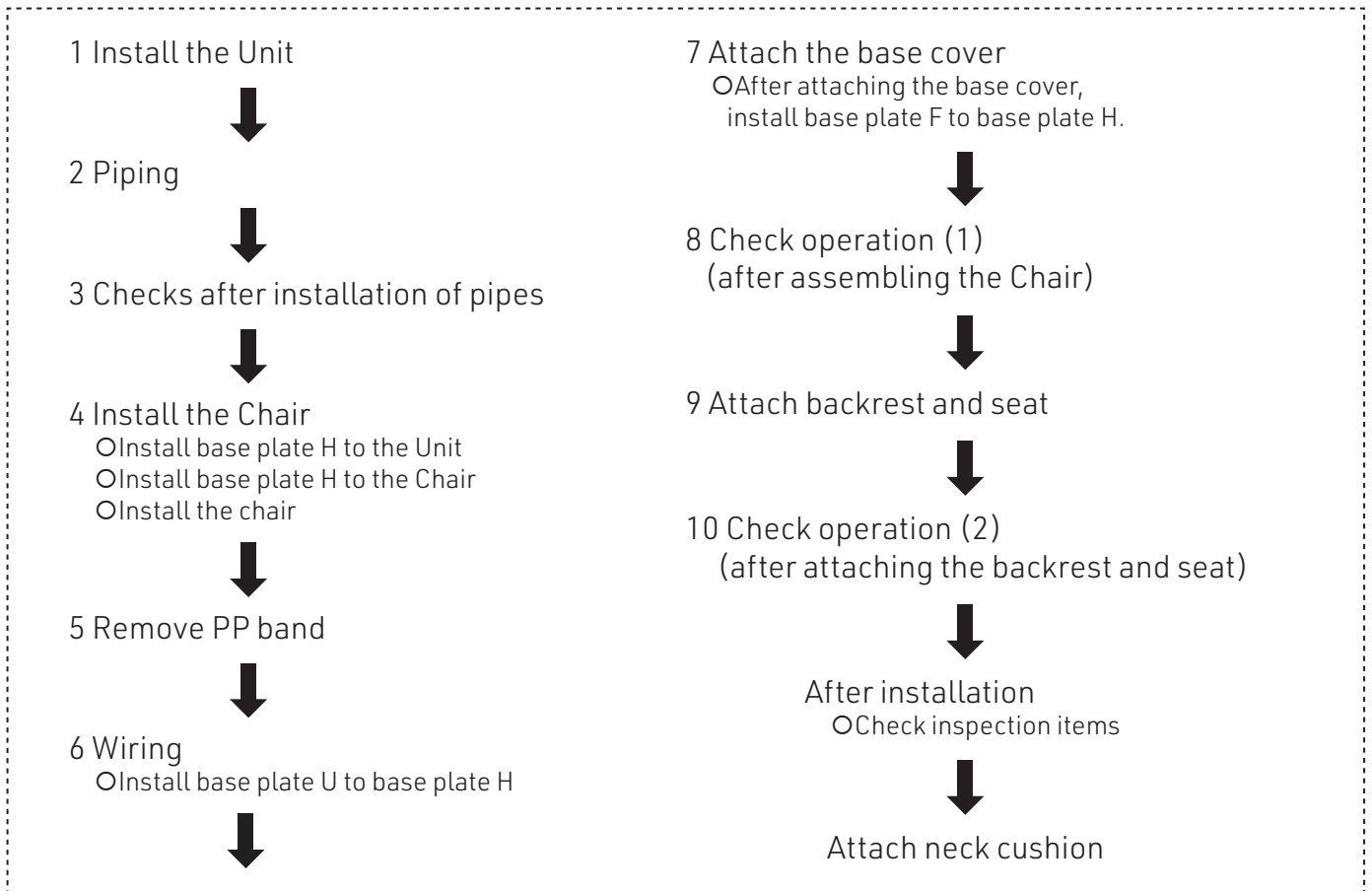
- Never hold the backrest. Doing so may cause incorrect operation or malfunctions in the Chair.
- Do not drag the Chair. The feet of the seat are made of steel, so dragging it may damage the floor surface, damage the foot part, cause incorrect operation or malfunctions in the Chair or toppling.



Installation of Unit & Chair

* The Unit or Chair may not be able to be installed correctly depending on installation procedures of the main body.
Always install the Unit & Chair using the following procedures.

■ Unit & Chair installation procedure



⚠ Precaution

- Always use the template to mark the floor when fixing the Unit and the Chair.
Also, always final confirm the fixing position of the Chair by using the base plate H as a guideline.
- If the Chair is to be fixed using anchor bolts, check the distance between the Chair and the Unit with the actual unit.

1 Install the Unit

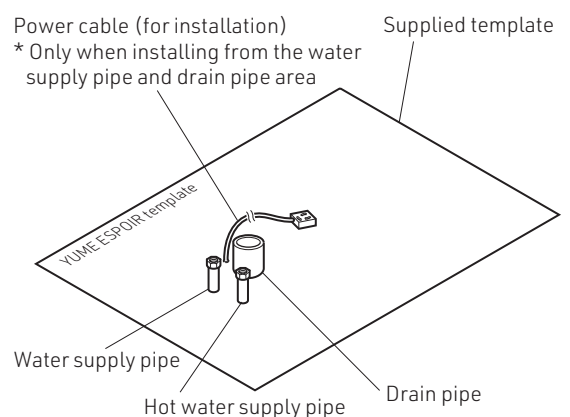
■ Installation

1 Marking the bolt (anchor) fixing position

○ Use supplied template to check and make preparations for the dimensions and method for installation of the piping.

* If the power cable (for installation) is to be installed from the water supply pipe and drain pipe area, mark their position in the same way as below.

- (1) Place the supplied template on the floor and set it to the position of the water supply pipe, hot water supply pipe and drain pipe.
- (2) Mark the fixing position of the unit and the chair bolts (anchor).
- (3) Drill out the fixing position holes for the unit bolts (anchor).
- (4) Remove the template from the floor.

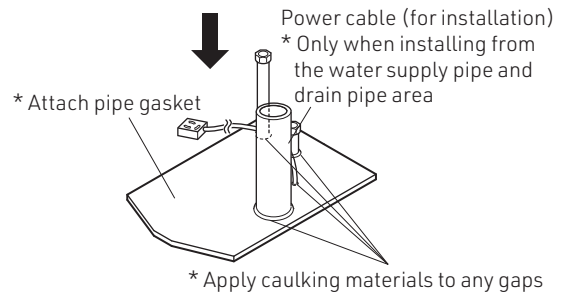
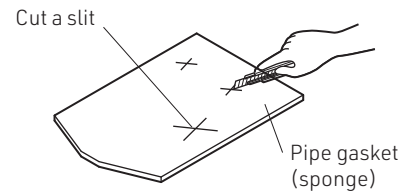


2 Attach pipe gasket

- (1) Cut a slit in the pipe gasket to suit the position of the pipes to be installed.
- (2) Peel away the sheet from the adhesive surface of the pipe gasket and stick to the floor surface.
- (3) Cut out a circle around the slit cut in the pipe gasket to suit the pipe surface, and fill in any gaps with caulking materials.

Precaution

- Always attach pipe gasket and apply caulking materials to the areas around the pipes so that there are no gaps, in order to prevent condensation within YUME ESPOIR or water seeping on the floor in the event of water leaks.
- If pipe gasket is not used, condensation may cause water to pool on the floor, structural parts may start degrading and malfunctions may occur.
- If the power cable (for installation) is to be installed from the water supply pipe and drain pipe area, apply caulking materials to any gaps in the same way as above.



* Apply caulking materials to any gaps

3 Install the Unit

- (1) Hold the stepped section at the bottom of the basin, align it with the hole position that was opened previously, and install the Unit.

Precaution

Do not pull the Unit when attempting to move it. Doing so may damage the floor.

* If the power cable (for installation) is being installed from the water supply pipe and drain pipe area, pass the cable through the gap in the center of the base and through to the Chair side.

Precaution

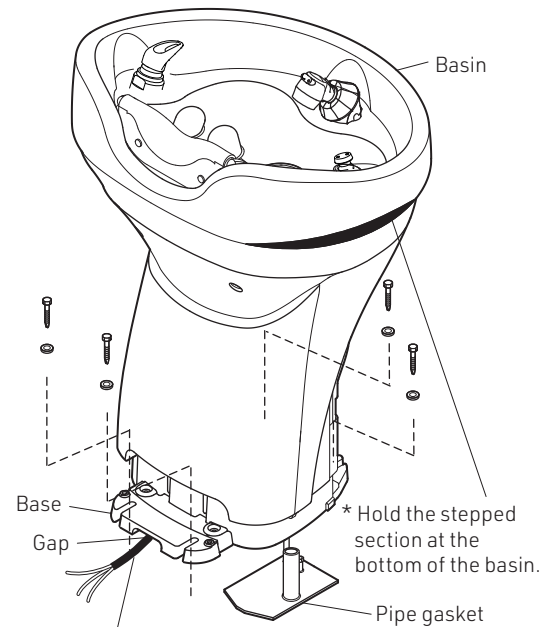
Ensure that the power cable (for installation) is not trapped by the base. Doing so may cause fires, electrocution or angled basin.

- (2) If the pipe gasket is trapped under the Unit (base), move the unit away temporarily and cut the pipe gasket that is trapped.

Precaution

The unit may be installed at an angle, or may even topple over if the Unit (base) is attached with the pipe gasket trapped underneath.

- (3) Attach the Unit with bolts (anchor).
- Adjust the Unit so that it is not installed at an angle.

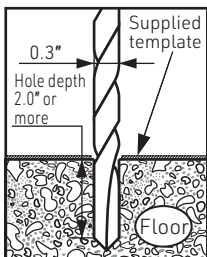


* If the power cable (for installation) is being installed from the water supply pipe and drain pipe area, pass the cable through to the seat side. (able must be 51.8" or longer from the installation position)

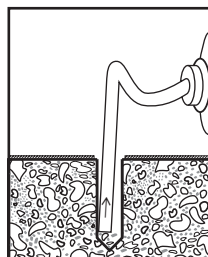
● Installation process for anchor bolts

Precaution

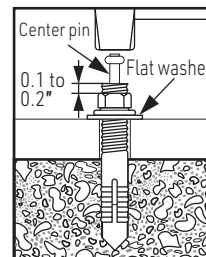
- The strength of the anchor bolts will be reduced if they are hammered into the hole while touching the bottom. Open up a gap.
- When installing anchor bolts, insert them so that there is 0.08" to 0.2" of the threaded section of the head protruding. If the bolts are inserted with more than 0.2" protruding, the head may interfere with the cover.



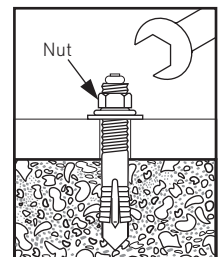
- (1) Drill open a hole of the specified diameter and depth.



- (2) Remove the dust from each anchor hole by cleaning with a vacuum cleaner.



- (3) Insert the anchor bolt and tap it with a hammer until the center pin makes contact with the base plate.



- (4) Adjust the fastening strength of the nut using a wrench.

2 Piping

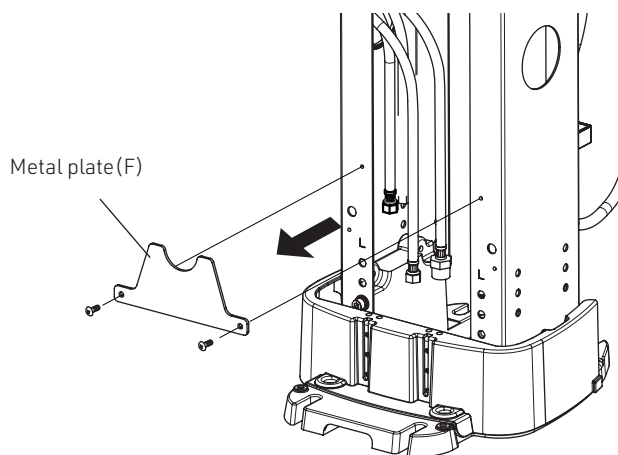
[Before piping installation]

"Hair trap", "Drain hose", "Turn valve" and "Flexible pipe" are not included.
Prepare those parts that suited for the local regulation.

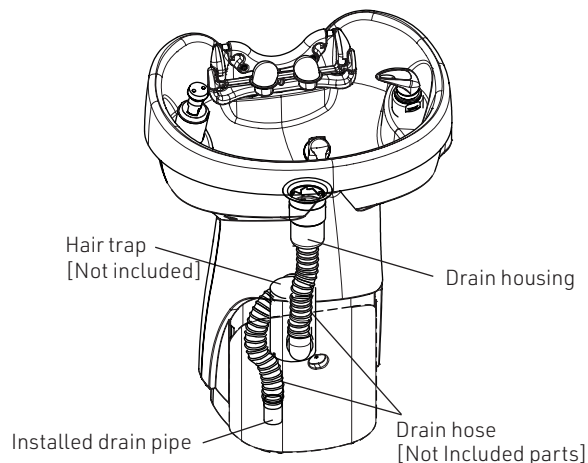
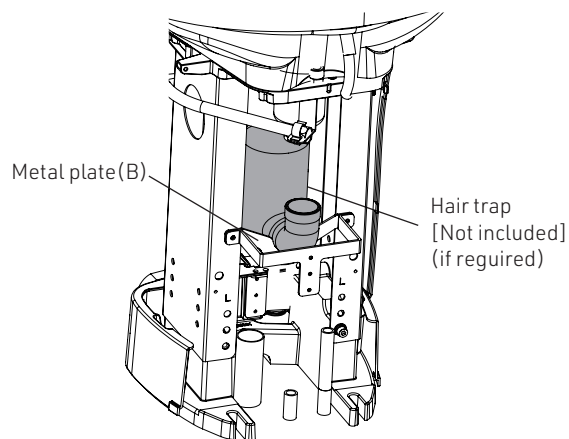
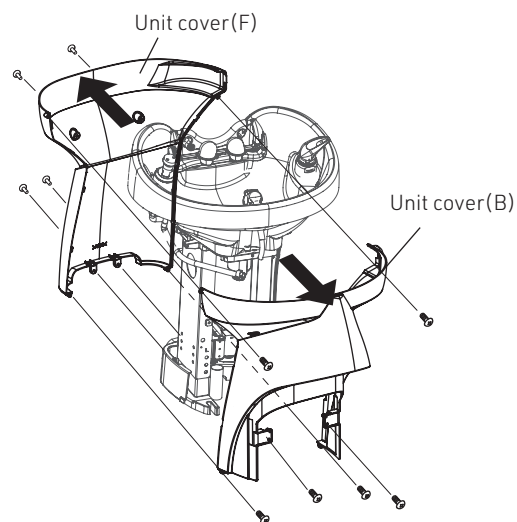
Precaution

Follow a local regulation when you attach piping.

1. Loose screws and get off Unit cover (B)
(Truss head screw with prastic gasket, 4 pcs)
(Pan head screw[p type], 4 pcs.)
2. Loose screws and get off Unit cover (F)
(Truss head screw with prastic gasket, 4 pcs)
3. Loose screws and get off Metal plate (F).
(Hexagon BT with cross hole, 4pcs)



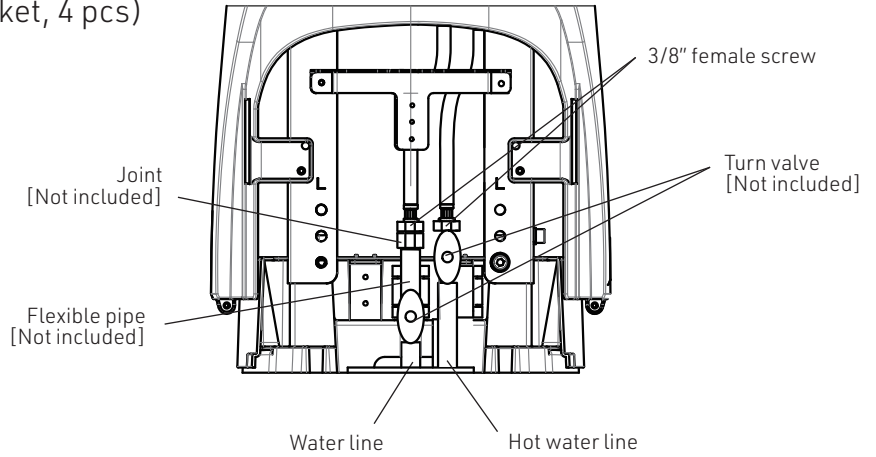
4. Put the hair trap on the metal plate for positioning,
measure the length of drain hose and cut them.
(from Drain housing to hair trap, from hair trap to
installed drain pipe)
(if the regulation requires.)
5. Attach drain pipes to a hair trap.
6. Attach drain pipe to drain housing and installed
drain pipe.
7. Attach Metal plate (F) with screw.



8. Installing the Flexible Pipe and Joint

9. Attach Unit cover (F) with screws
(Truss head screw with prastic gasket, 4 pcs)

10. Attach Unit cover (B) with screws
(Truss head screw with prastic gasket, 4 pcs)
(Pan head screw[p type], 4 pcs.)



3 Checks after installation of pipes

1 Test water flow

⚠ Precaution

Always test the water flow to prevent accidents during use.

* Test the water flow and inspect the following items. The hot water may be slightly tainted at the start of the water flow test, however this does not indicate any problem.

- (1) Is there no water leaking from the pipe joints?
The pipe joints may come loose during transportation, so check the joints within the Unit thoroughly.
- (2) Are the hot water supply and water supply pressures at the same, stable pressure?
- (3) Can temperature be controlled properly?
- (4) Check that the shower outlet flow is sufficient.

Shower outlet flow rate

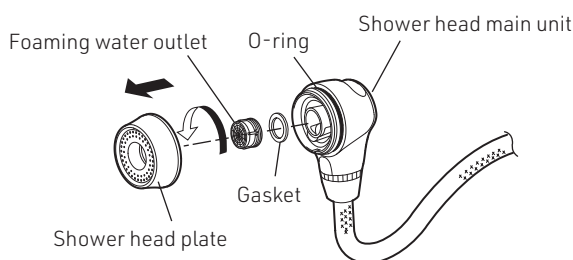
Hot water supply pressure, water supply pressure:	14.5psi
Shower outlet temperature	: 104°F

Dual function shower head (shower): Approximately 2.12 gal/min
(Aeration): Approximately 1.85 gal/min

2 Cleaning

After the hot water becomes clear during the water flow test, always clean the shower head plate. Failure to do so can result in insufficient flow rate.

Remove and clean any dirt trapped within the sprinkling filter unit.



3 Attach the maintenance cover to the Unit

Precaution

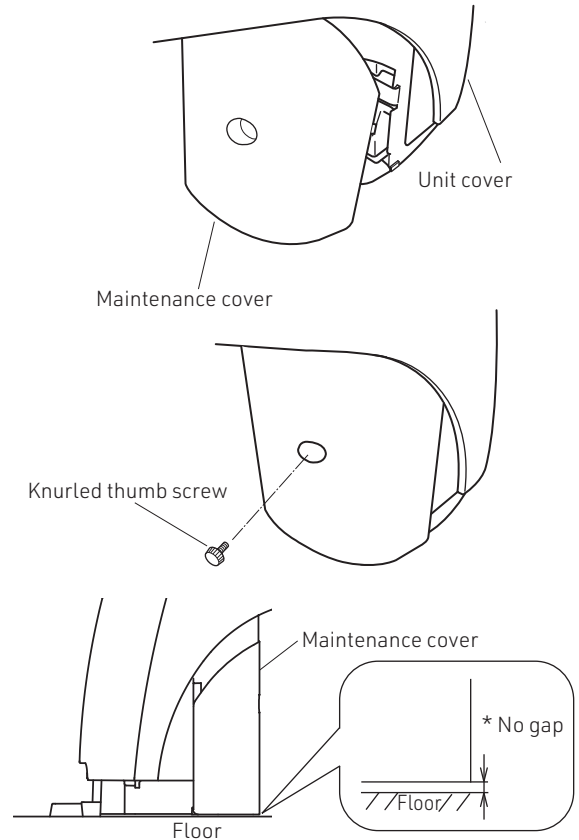
Take care not to hit or trap other parts when installing the cover. Doing so may damage the parts and cause malfunctions.

- (1) Insert the maintenance cover into the Unit cover.
- (2) Attach the cover with the screws.
(Knurled thumb screw M5 × 15, 1 pcs)

- * The Knurled thumb screw is attached to the metal plate(M) used to fasten the maintenance cover (see page 8)
- * Attach the maintenance cover to the Unit in a position so that it is in contact with the floor.

Precaution

Attach the Knurled thumb screw by hand without using any tools. Using tools may cause damage to the plastic section.



4 Install the Chair

■ Installation

Precaution

Ensure that power cannot be turned on to the Chair during the installation process.

1 Install base plate H to the unit

- Press the ribbed section of base plate H to the base of the Chair and fasten with the screws. (M6 × 20, 2 pcs, plastic washer (10 × 6), 2 pcs)

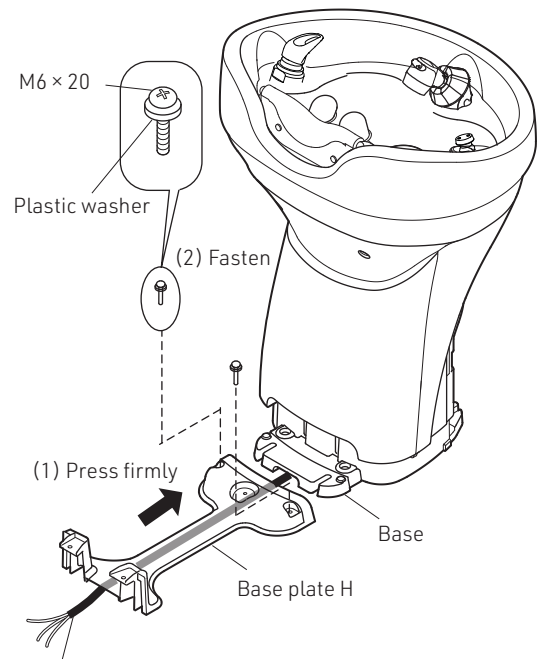
- * The plastic washers are supplied with the screws when the product is shipped. Check that the plastic washers have not come loose.
- * If the power cable (for installation) is being installed from the water supply pipe and drain pipe area, pass the cable through the bottom of base plate H and through to the seat side.

Precaution

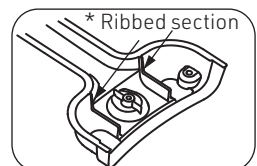
Ensure that the power cable (for installation) is not trapped by base plate H. Doing so may cause electrocution or an angled Chair.

Precaution

Always attach the plastic washers. If the washers are not attached, water may leak through, making it difficult to remove the screws.



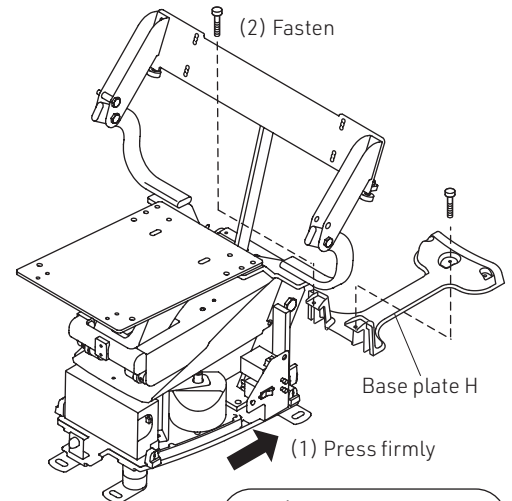
- * If the power cable (for installation) is being installed from the water supply pipe and drain pipe area, pass the cable through the bottom of base plate H and through to the seat side.



2 Install base plate H to the Chair

- (1) Hold the specified section at the base of the Chair (see page 9), press against the ribbed section of base plate H and fasten with the screws.
- (2) Insert the supplied of spacer to suit the height specifications of the seat. Check to the following chart for details.

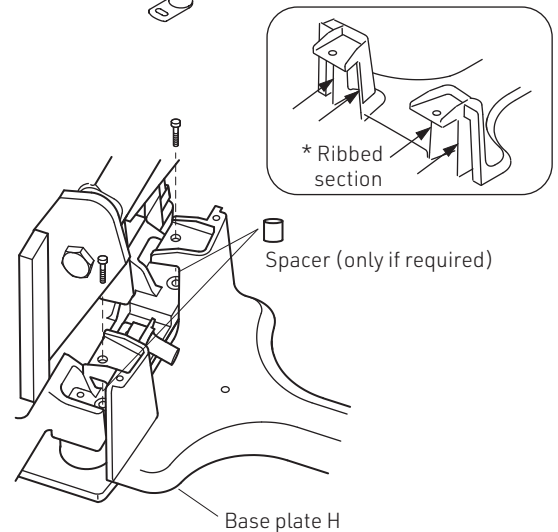
Product specifications	SH-YMES
Spacer	Not required
Bolts to be fastened	M6 × 15, 2 pcs



* The BP attachment screw set includes bolts and spacers for all heights and specification of the Chair. Accordingly, there will be bolts and spaces remaining with the Chair height specifications that are not in use.

Precaution

- If the Chair is attached using anchor bolts, check the distance between the Chair and the unit with the actual.
- When attaching the Chair, always check that there are no large spaces due to warpage of base plate H or gaps between the floor. If the power cable (for installation) is to be installed from the water supply pipe and drain pipe area, apply caulking materials to any gaps in the same way as above.
- Ensure that the power cable (for installation) is not trapped by the Chair. Doing so may cause electrocution or an angled Chair.



3 Install the Chair

<If the power cable (for installation) is being installed from the water supply pipe and drain pipe area>

Pass the power cable (for installation) from base plate H through the bottom of the Chair base and position at the plugging point.

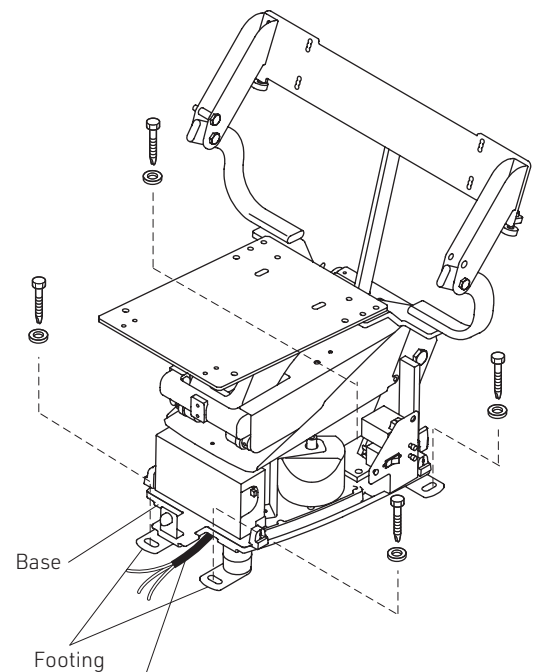
<If the power cable (for installation) is being installed from the floor under the Chair>

Pass the power cable (for installation), from the floor and position at the plugging point.

○ Attach the Chair with bolts (anchor). (see page 14) Check that the Chair and the unit are set in correct direction.

Precaution

- The strength of the anchor bolts will be reduced if they are hammered into the hole while touching the bottom. Open up a gap.
- When installing anchor bolts, insert them so that there is 0.08" to 0.2" of the threaded section of the head protruding. If the bolts are inserted with more than 0.2" protruding, the head may interfere with the cover.



* If the power cable (for installation) is being installed from the floor under the seat, pass the cable past the installation position by 11.8" or more.

5 Remove PP band

○ Remove the PP band from the Chair.

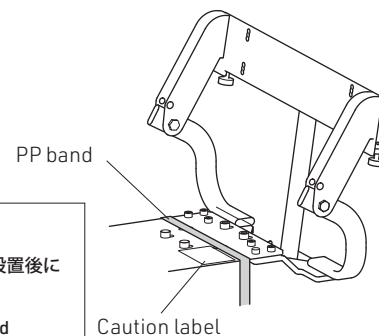
Precaution

- Always remove this PP band. Operating YUME ESPOIR with this PP band attached may cause incorrect operation or malfunctions in the Chair.

* When moving the Chair at a later date

Precaution

- If the chair is to be moved at a later date, always attach the PP band. If this PP band is not attached, the transportation handle (see page 7) cannot be fastened, which can cause malfunctions to the Chair or injury.



6 Fix legrest and link

<SUITE > <NOBLE >

(1) Remove the cable ties from the legrest.

Precaution

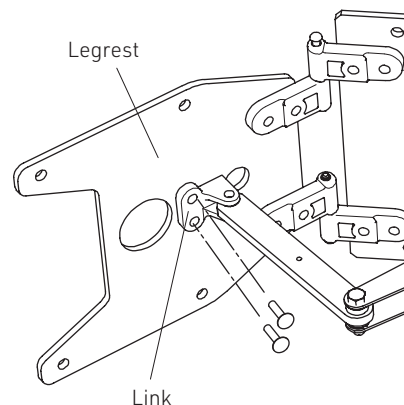
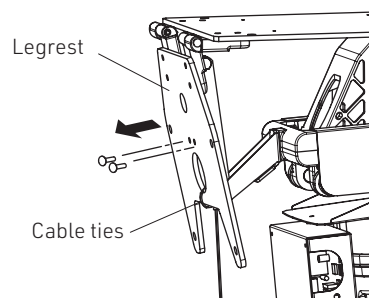
Always remove this cable ties. Operating YUME SUITE and NOBLE with cable ties attached may cause incorrect operation or malfunctions in the seat.

(2) Remove the two screws that are temporarily fixed to the legrest.

(3) Use the screws removed in (2) to secure the legrest and link as shown in the figure on the right.

Precaution

Securely fix the leg rest part and the link so that there is no looseness.
Failure to do so may cause an injury, damage to the device, or abnormal noise.



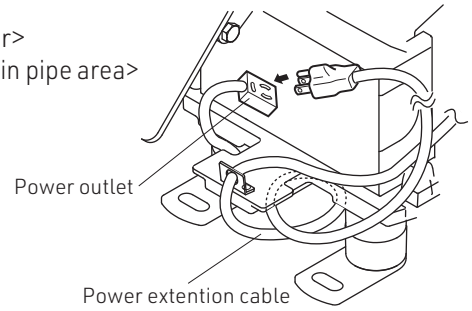
7 Wiring

1 Connect power extension cable

<If connecting to a power cable (for installation) from the floor under the chair>

<If connecting to a power outlet (for installation) from the water supply pipe and drain pipe area>

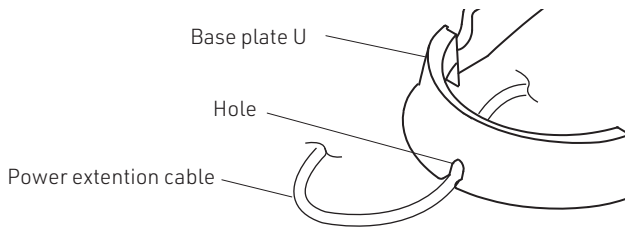
- (1) Connect a power outlet to the power cable (for installation).
- (2) Insert the power plug from the chair into the power outlet.
* When connecting the power plug into the power outlet, do it at the point to connect plug and bring it to the top of the base. (see page 24)



<If connecting to an external power outlet>

Pass the power extension cable through the hole in base plate U.

* The fastening methods for base plate U is outlined in number 2 below.



2 Install base plate U to base plate H

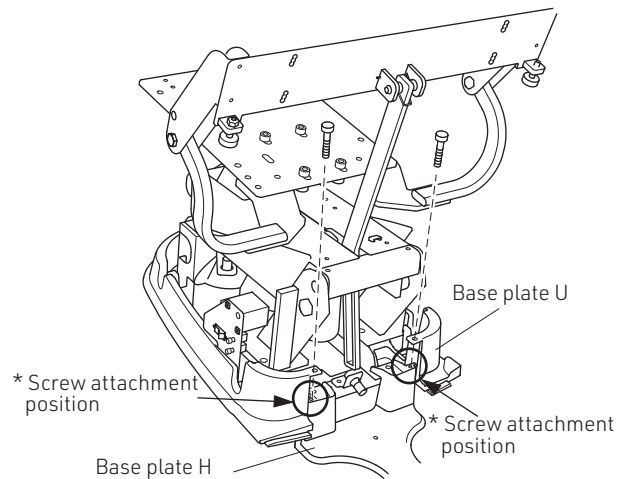
○ Spread open base plate U and attach to base plate H with screws.
(M5 × 14, 2 pcs)

Precaution

Take care not to spread open base plate U too far. Spreading the base plate out too far can result in the deformation and damage.

Precaution

When installing base plate U, ensure that the power cable (for installation) is not trapped.



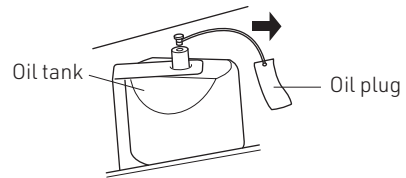
8 Attach base cover

Precaution

Take care not to hit or trap other parts when installing the cover.
Doing so may damage the parts and cause malfunctions.

* Check that there is no damage or dirt on the cover before installing it.
If there are any problems found in preliminary checks, contact your closest dealer or Takara Belmont directly.

1 Remove the oil plug from the oil tank.

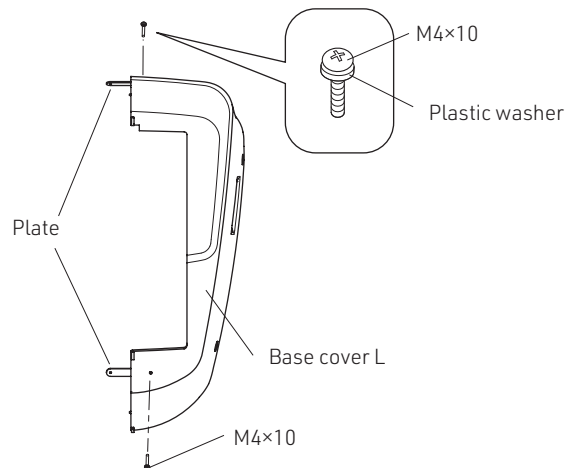
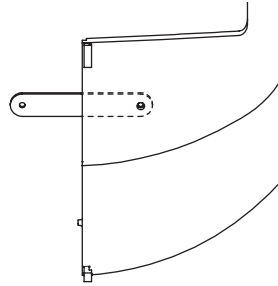


2 Attach base cover L and R to the seat

- (1) Attach plate for base cover to base cover L.
(M4×10, 2 pcs)
(Plastic washer (10×4), 2 pcs)

Tips

If you attach the plate vertically to the end face of the cover, it will be easy to fit with the hole of the base cover R.

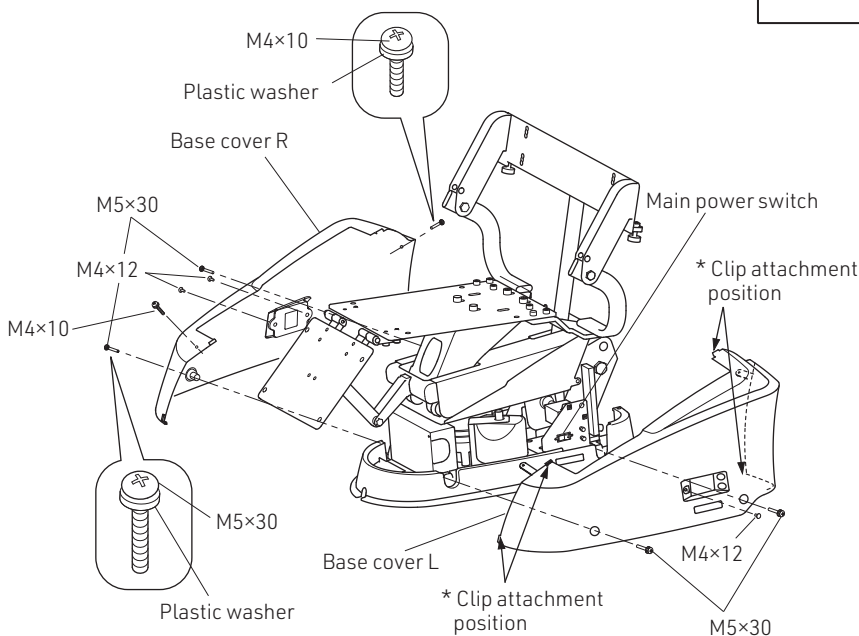


- (2) Attach base cover L and R to the seat.
(M5×30, 4 pcs)
(Plastic washer (10×5), 4 pcs)
(M4×10, 2 pcs)
(Plastic washer (10×4), 2 pcs)
(M4×12, 3 pcs)

* The plastic washers are supplied with the screws when the product is shipped. Check that the plastic washers have not come loose.

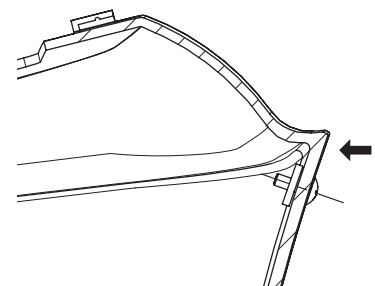
Precaution

- Always attach the plastic washers. If the washers are not attached, water may leak through, making it difficult to remove the screws.
- Take care that the main power switch is not turned on when installing the cover. If the foot switch is accidentally turned on, the seat will start moving, and may cause accidents or malfunctions to the main body.

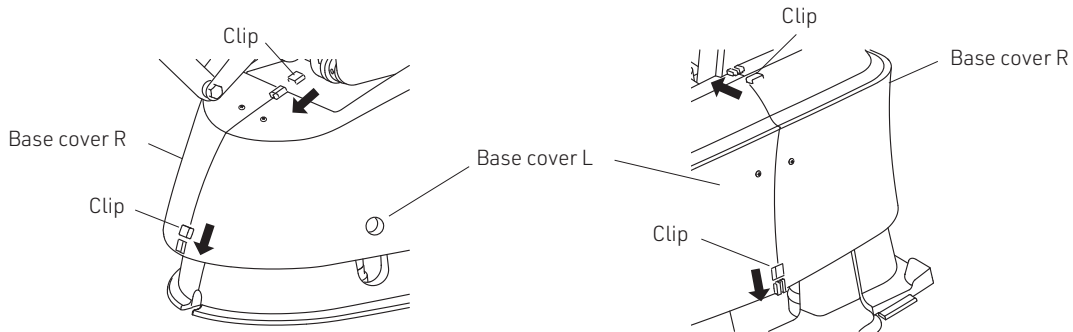


Tips

If you fix the plate while pressing the position of the arrow with the finger, the gap between the covers can be made small.



- (3) Attach the clips to base cover L and R in four locations.
 (clip, 4 pcs (2 each at the front and rear))
 * Take note of the clip orientation when attaching them.

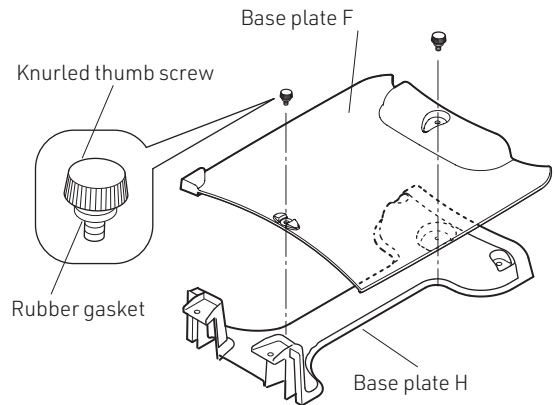


3 Install base plate F to base plate H

- o Attach base plate F to base plate H with screws.
 (Knurled thumb screws M6 × 12, 2 pcs, with rubber gasket)
- * The rubber gasket is supplied with the screws when the product is shipped. Check that the rubber gasket has not come loose.

⚠ Precaution
 Always attach the rubber gasket to the Knurled thumb screws.
 Water may seek into the base plate from the screw attachment holes, causing malfunctions to the main body.

⚠ Precaution
 Attach the Knurled thumb screw by hand without using any tools.
 Using tools may cause damage to the plastic section.

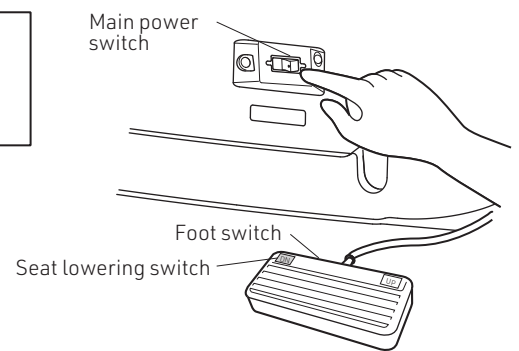


9 Check operation (1) (after assembling the Chair)

⚠ Precaution

- Check once again that the transportation bolt has been removed.
- Check beforehand that there are no people or objects surrounding the Chair.

- (1) Turn the main power switch on. Press the right side (■ symbol) of the main power switch.
- (2) Press the foot switch and check operation of the chair. For operating procedures, see the separate "YUME ESPOIR Instruction Manual".
- (3) Once operation has been confirmed, check the attachment condition of the following items.
 <Items to check>
 Ols there a large step or gap in the join between the covers?
 Ols there a large gap between the cover or base plate and floor?
 Ols the cover or base plate vibrating or resonating while operating?
- (4) Hold down (pressing for one second or longer will make the unit "beep") the foot switch DN (DOWN) to raise the seat back frame.
- (5) Turn the main power switch off.

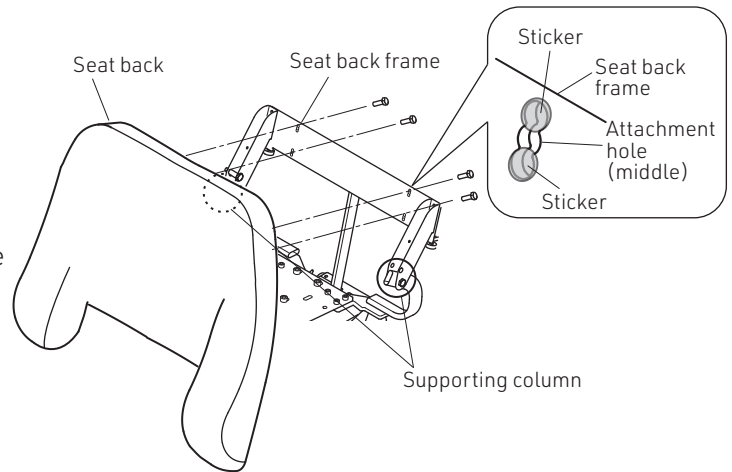


→ If there are problems present, check the screws used to attach the parts and reattach when necessary.

10 Attach backrest and seat

1 Attach backrest and seat

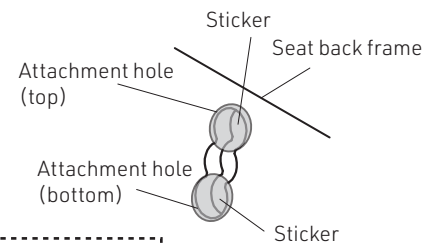
- (1) Insert the backrest into the supporting column in vertical state, align with the seat back frame and attach with screws through the attachment holes (middle). (M6 × 15, 4 pcs)
- (2) Turn the main power switch on.
- (3) Hold down (pressing for one second or longer will make the unit "beep") the foot switch UP to recline the seat back and bring the chair to its highest position.
- (4) Check the distance between the end of the seat back and basin. See "Adjusting the distance between the end of the backrest and basin" below for more information.
- (5) Turn the main power switch off.



Adjusting the distance between the end of the backrest and basin

Check the following with the reclined down.

- (1) Does the end of the backrest hit the basin?
- (2) Is there a large gap between the end of the backrest and basin?
Is there a variation in the gap with each main body?
(Install the end of the backrest and basin so that the distance between them is approximately 0.4" to 0.8".) Use the following procedure if the distance between the end of the backrest and basin requires adjustment.



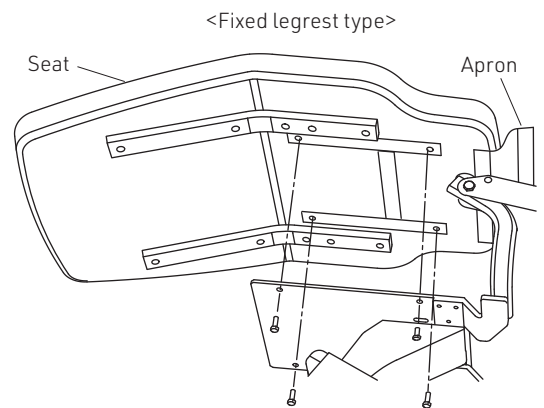
- To bring the end of the backrest and basin and closer together: use the attachment hole (top)
- To separate the end of the backrest and basin: use the attachment hole (bottom)

2 Attach the seat

<Fixed legrest type>

- (1) Attach the seat and Chair with screws. (M8 × 30, 4 pcs)

* For models with a fixed legrest, there will be four screws remaining of the seat attachment screw set (M8 × 30).



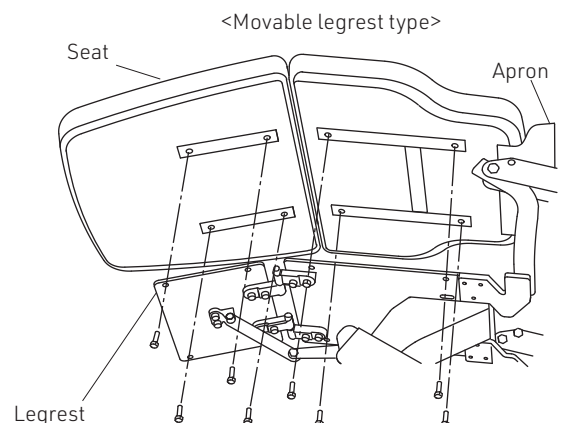
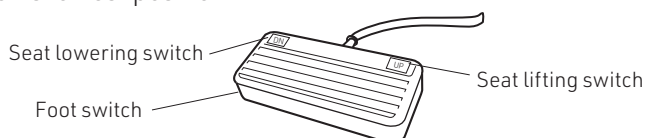
<Movable legrest type>

- (1) Attach the seat and Chair with screws. (M8×30, 8 pcs)

⚠ Precaution

When attaching the seat, take care that the apron does not become trapped.

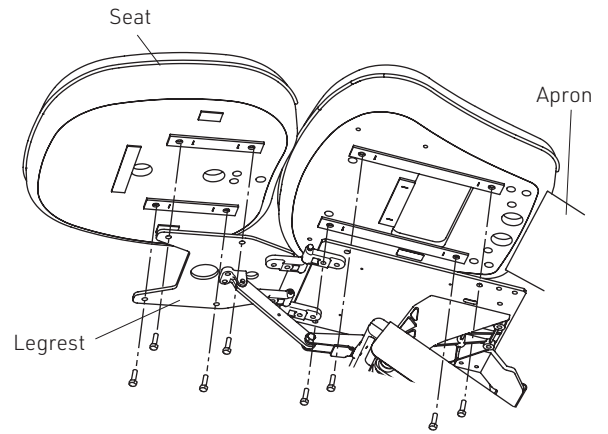
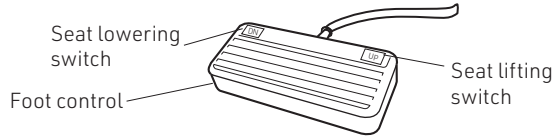
- (2) Hold down (pressing for one second or longer will make the unit "beep") the foot switch Seat lowering switch to lower the seat back to its lowest position.



<SUITE> <NOBLE>

- (1) Attach the seat and seat body with screws.
(M8×30, 8 pcs)

- (2) Hold down (pressing for one second or longer will make the unit "beep") the foot control Seat lowering switch to lower the seat back to its lowest position.

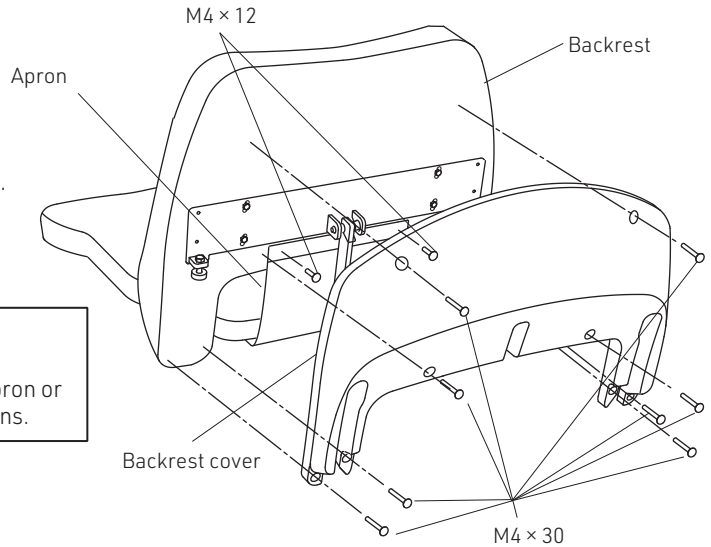


3 Attach the apron

- Attach the seat apron to the backrest using screws.
(M4 × 12, 2 pcs)

4 Attach the backrest cover

- Attach the backrest cover so that it is aligned with the backrest.
(M4 × 30, 8 pcs)



! Caution

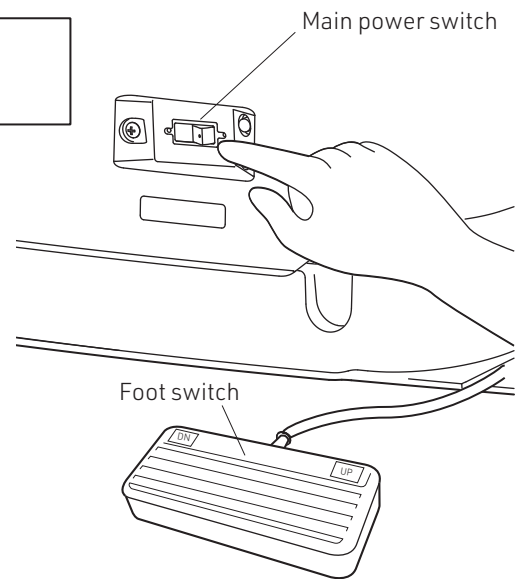
Take care not to hit or trap other parts when installing the apron or cover. Doing so may damage the parts and cause malfunctions.

11 Check operation (2) (after attaching the backrest and seat)

! Caution

Check beforehand that there are no people or objects surrounding the Chair.

- (1) Turn the main power switch on. Press the right side (I symbol) of the main power switch.
- (2) Press the foot switch and check operation of the Chair. For operating procedures, see the separate "YUME ESPOIR Instruction Manual".
- (3) Once operation has been confirmed, check the attachment condition of the following items.



<Items to check>

- With the seat back down,
 - (1) Does the end of the seat back hit the basin?
 - (2) Is there a large gap between the end of the seat back and basin?
Is there a variation in the gap with each main body?
→ Use the "Adjusting the distance between the basin and seat back" on P 19 if the distance between the end of the seat back and basin requires adjustment.
- Is the cover vibrating or resonating while operating?
→ If there are problems present, check the screws used to attach the parts and reattach when necessary.
- Does the seat back no toward the rear when it is in its most upright position?
→ If the seat back moves toward the rear there may be a mechanical fault and repairs may be required.

Checking

○ Remove the air mat attached to the basin and protective tape applied to the Unit cover.



Precaution

Always conduct the following inspections to prevent accidents during use.

■ Inspection items (Unit)

- (1) Are there any screws that have not been attached?
- (2) Is there any rattling?
Check the attachment areas again if there is any rattling.
- (3) Are there any cracks or dirt on the basin?
- (4) Is there any damage or blemishes on the exterior parts?
- (5) Is water leaking onto the floor surface?

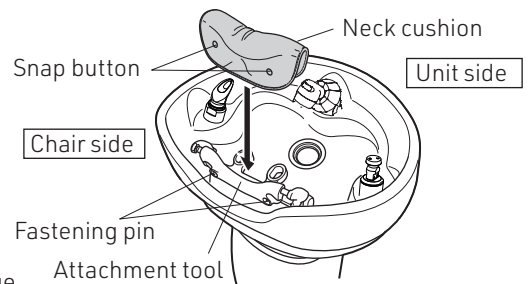
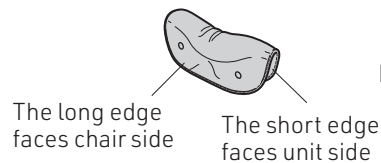
■ Inspection items (Chair)

- (1) Are there any screws that have not been attached?
- (2) Is the Chair operating correctly?
- (3) With the seat back down, does the end of the seat back hit the basin?
- (4) Do the seat back and seat hit each other?
Are the seat back and seat bend?
- (5) Are there any scratches such as damage on the exterior parts

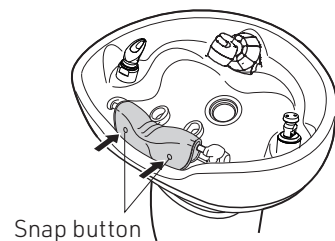
After installation

■ Attach neck cushion

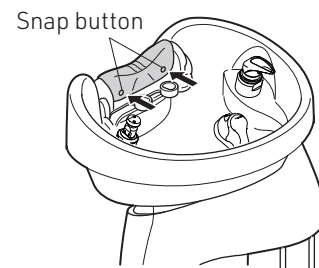
- (1) Set the neck cushion to the attachment tool in the direction as shown in the image.



- (2) Attach the chair side snap buttons of the neck cushion to the fastening pins on the attachment tool.
* Take care not to lose the fastening pins.

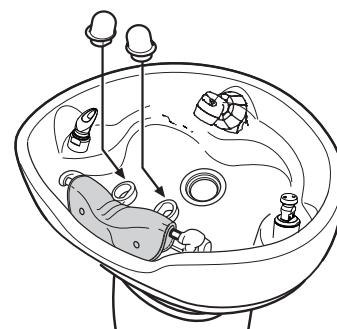
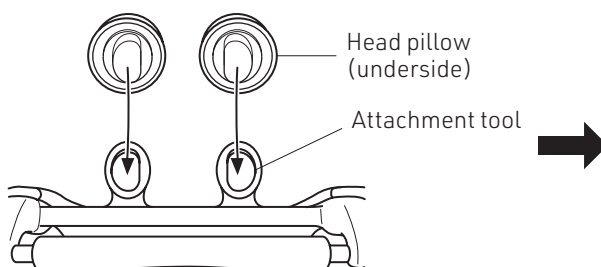


- (3) Adjust the shape of the neck cushion to suit the attachment tool, and attach the unit side snap buttons of the neck cushion to the fastening pins.



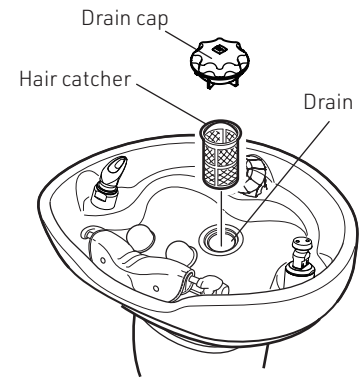
■ Attach head pillow

○ Insert the head pillow in the direction as shown in the image.



■ Attachment Of The Hair Trap And The Drain Cap

○ Put the hair trap into the drain port and place the drain cap on the top as shown in the image.



Unit & Chair attachment diagram

If the floor surface is tiled, cracks may occur when fastening the bolts during installation of the Unit & Chair. In this case, use materials such as plywood or mortar for the attachment area.

- (1) Use the outline of the basin base and seat base, and remove the tiles or glass on the inside. Take care when removing these parts. The area that tiles or glass were removed from may be visible.
- (2) Apply concrete panel to the inside area that tiles or glass were removed from. Ensure that the concrete panel sits higher than the surrounding tiles or glass (within 0.08" to 0.12").

-  : Location of the position to connect the Chair power plug and power outlet.
-  : Floor installation surface.
-  : Area for power cable installation position.

Location of the position to connect the main body power plug and power outlet
 * This is not the location of the position to install the power cable.

- Product dimensions (maximum)**

 - Distance from drain center to seat end is For SH-YMES 63.2" (maximum distance with seat back in its upright position)
 - For movable legrest 60.7" (maximum distance with seat back down)

Product dimensions

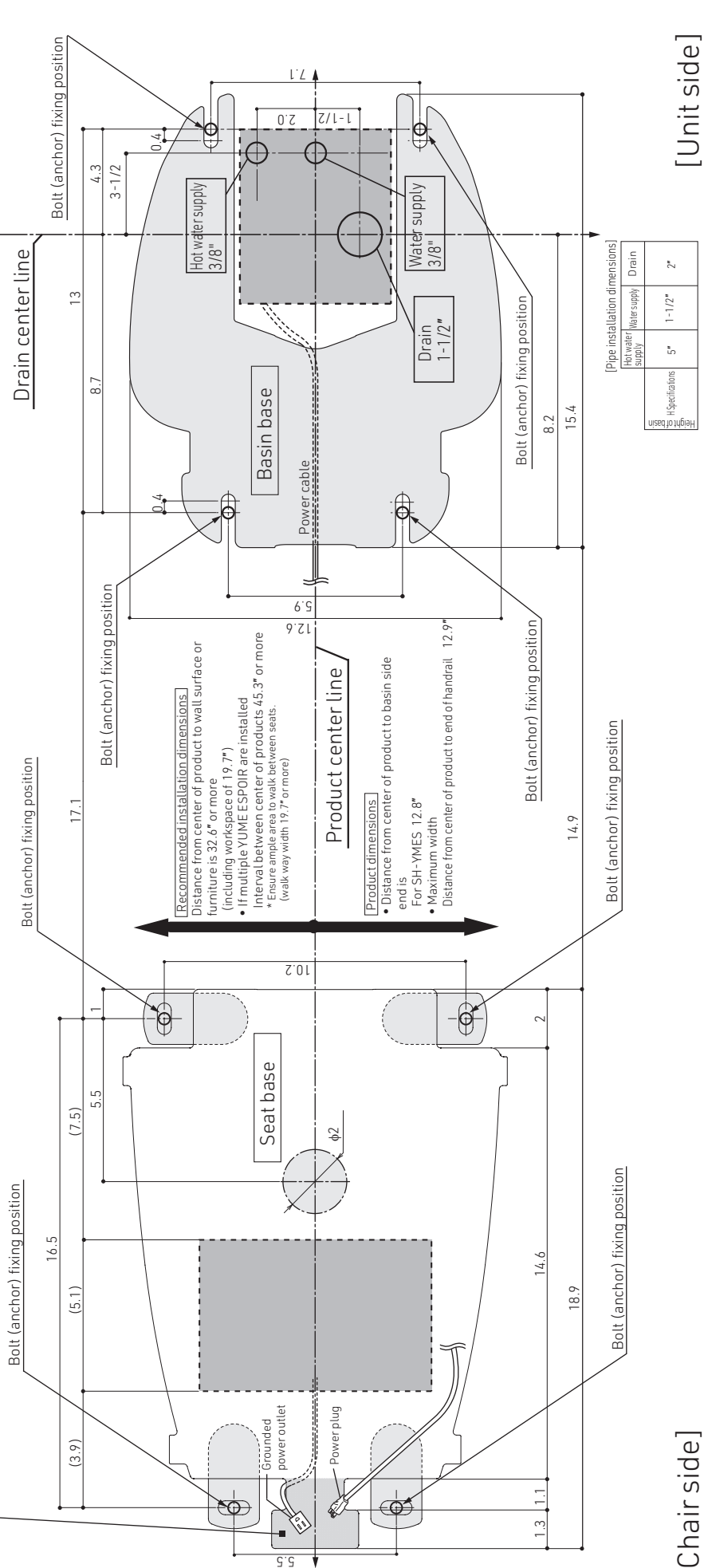
 - Distance from drain center to basin rear end is For SH-YMES 11"
 - Distance from drain center to hose cover rear end For SH-YMES 13.9"
- Reference installation dimensions**

 - Distance from drain center to wall surface is For fixed legrest 80.4" (including legroom of 17.1")
 - For movable legrest 78.4" (including legroom of 17.7")

* Ensure that there is ample space around the footing for extremely tall customers.

Recommended installation dimensions

 - Distance from drain center to wall surface or furniture is For SH-YMES 35.8" or more (including workspace of 24.8")
 - * Workspace: Distance from basin rear end to wall surface or furniture (assuming shampoo and treatments performed from behind the basin while sitting on a stool)



[Chair side]

[Unit side]



U.S.A.

101 Belmont Drive, Somerset, NJ 08873
TEL:800-526-3847

CANADA

2076 South Sheridan Way, Mississauga, ON, L5J 2M4
TEL:905-822-2755

JAPAN

1-1, 2-Chome, Higashi-shinsaibashi, Chuo-ku, Osaka, Japan
TEL:(+81)6-6213-5945

Book Number

1E05KTA0
