

Installation Manual

07.2011 1E0459A0
(Request No.)

Installation should be performed by a qualified technician and should meet local codes and ordinances. Takara Belmont does not take any responsibility or liability for installation

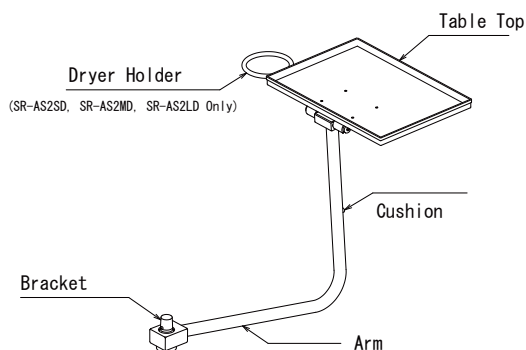
Item Code

SR-AS2SD, SR-AS2SN, SR-AS2MD, SR-AS2MN, SR-AS2LD, SR-AS2LN, SR-ATS, SR-ATM, SR-ATL

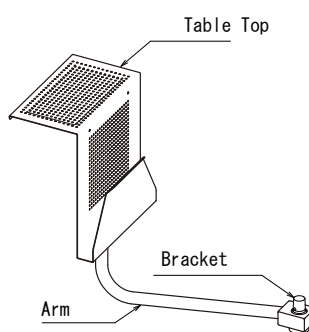
Material and Parts

- SR-AS 2 ASISTA II
 - Arm
 - Table
 - Dryer Holder (SR-AS2SD, SR-AS2MD, SR-AS2LD Only)
 - Screws (4pcs of M4 x 10mm)
 - Adjuster Bolt
 - Felt Cushion (2pcs., One for extra)
- SR-AT ATTENDA
 - Table with Arm
 - Adjuster Bolt
 - Felt (2pcs., One for extra)

■ SR-AS2 ASISTA II



■ SR-AT ATTENDA



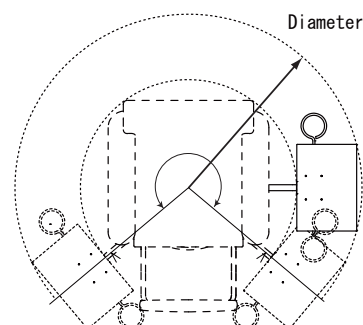
Product Chart

Chair Top

	SR-AS2 ASISTA II			SR-AT ATTENDA		
	Short	Midium	Long	Short	Midium	Long
SU-D1E (ma)	○			○		
SU-D1F (ori)	○				○	
SU-D1G (ai)	○				○	
SU-D1A(CHOCO)			○		○	
SU-D1B(HARP)		○		○		
SU-D91(minamo)	○			○		
SU-D92(nagi)	○			○		
SU-D93(nami)	○			○		
SU-D83(LIM01)		○			○	
SU-D84(LIM02)		○			○	
SU-D85(LIM03)		○			○	
SU-DOA (Coff)			○			○
SU-DOB (Morb)		○			○	

■ Diameter

	SR-AS2 ASISTA II	SR-AT ATTENDA
Short	685 mm	625 mm
Midium	715 mm	655 mm
Long	745 mm	685 mm



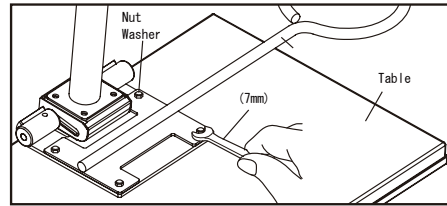
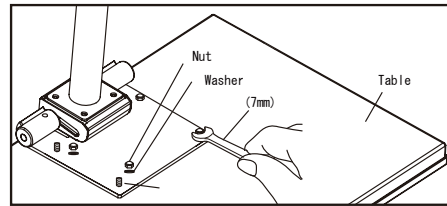
Chair Base

SP-CHSN, CHPN, CHDN, SF, AB, AC, AD, AG
SP-202C, ASC, ASD, YSS, YAE, YASE, YEE,
SP-YA, YC, YD, Y5, Y5A, Y5B, YK, YS, YE, YT
SP-YFS, YFL, FM, FT, FD, SF

Assembling Instruction

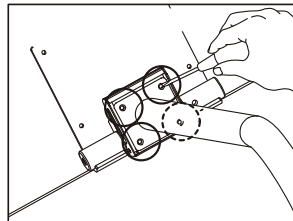
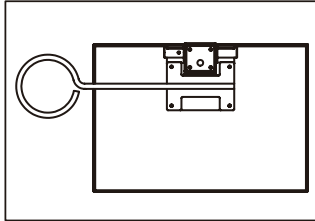
Assembling Dryer Holder for Asista II

1. Take off the nuts and washers from the table top
2. Assemble the Dryer Holder and screw up.



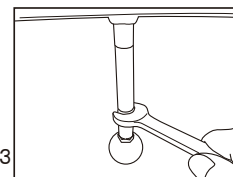
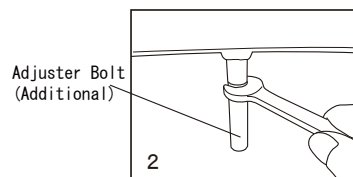
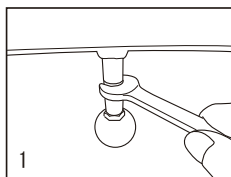
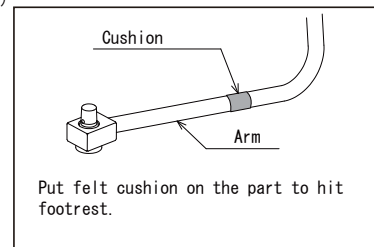
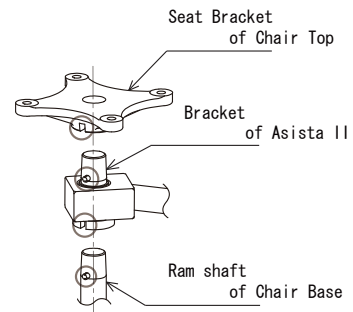
Assembling Table top on the Arm

1. Assemble the table on the arm by 4pcs pf M4x10mm



Installation

1. Make brake of chair base work, otherwiseram shaft of base may comes off or oil may leak.
2. Take chair top off from the chair base.
3. Put the bracket of Asista II / Attnda on the Ram shaft of chair base.
4. Put the chair top on the bracket of Asista II / Attenda. Please make sure to adjust the guide of seat bracket of chair top with the guide of Asista II bracket.
5. Please add the adjuster bolt for footrest, if necessary. (Adjustable footrest only)



In case of disassmbling

1. Make brake of chair base work, otherwise ram shaft of base may comes off or oil may leak.
2. Take chair top off
3. Hold the Asista II.
4. Take of the Assista II. Use plastic/rubber hammer and hit from the bottom of bracket of Assista II.