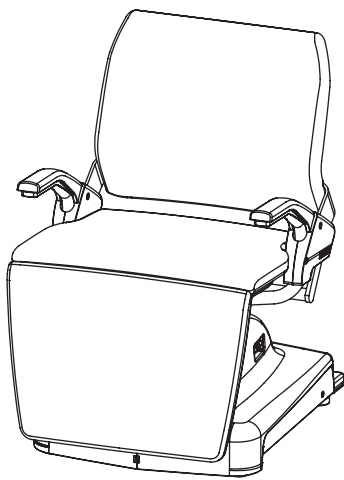


# shampoo joy FERIO

Product Code • Shampoo Chair

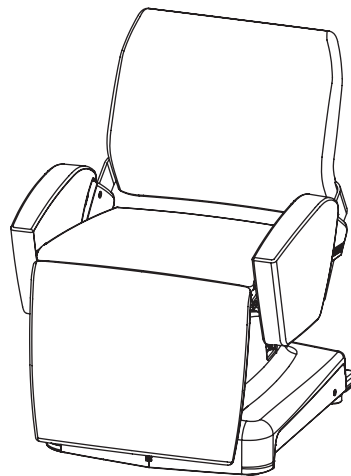
- Open Armrest Type
- Legrest Type
  - AY-FROL
  - AY-FROLB(Rotatable)
- Step Type
  - AY-FROS
  - AY-FROSB(Rotatable)
- Style Sofa Type
- Legrest Type
  - AY-FRSL
  - AY-FRSLB(Rotatable)
- Step Type
  - AY-FRSS
  - AY-FRSSB(Rotatable)

## Operating Manual



(Image is of AY-FROL)

(Image is of AY-FRSL)



Thank you for purchasing this Takara Belmont product.

The instructions contained in this booklet should be thoroughly read and understood before use.

Using this product before reading this operating manual may result in an accident. This product is an industrial shampoo unit designed for barbers and hair salons. Only use this product for its intended purpose and do not use it for non-hairdressing work.

Keep this manual and refer back to them when required.

## Table of Contents

Description of Warning Symbols	2
Safety Precautions	3
Precautions for Use	6
Precautions for Handling Synthetic Leather	7
Position of Warning Labels	7
Name of Parts	8
Accessories	9
Before Using This Product	9
Preparations	10
1 Adjust The Height	10
2 Installation	13
3 Attach Step Adjuster of Step Type	14
4 Power	15
How to Use	16
1 Guiding Customers	16
2 Set To Shampooing Position	16
3 Return To The Initial Position	18
Maintenance	19
Daily Inspections	19
Before Requesting Repairs	19
Standard Duration of Use	20
Consumable Supplies	20
Disposing of This Product	20
Specifications	21
Procedures for Daily Inspections	24
Memo	24

# Description of Warning Symbols

## ■ Before using this product

The "Safety Precautions", "Precautions for Use" and "Precautions for Handling Synthetic Leather" contained in this booklet should be thoroughly read and understood before use.

## ■ Precautions listed here

The precautions listed here are to ensure that this product can be used safely, and to prevent any danger or risk to the person using this product or those around them. These precautions are important for ensuring safety. Adhere to these precautions at all times. Takara Belmont is not responsible for any damage or risk to the person using this product or those around them due to accidents if this product is used without adhering to the "Safety Precautions", "Precautions for Use" and "Precautions for Handling Synthetic Leather". In this case, the person failing to adhere to the "Safety Precautions", "Precautions for Use" and "Precautions for Handling Synthetic Leather" will be responsible for any damage or risk incurred. Detailed descriptions of symbols are provided below. Read and understand these symbols thoroughly before reading this manual.



If this symbol is ignored and the product is used, "there is the risk of death or serious injury to the user".



If this symbol is ignored and the product is used, "there is the risk of light or moderate injury or physical damage".



Description of "ideal points to adhere to for safety".



Common danger, warning and caution notifications



Common prohibited actions



Prohibited disassembly or repairs/modifications



Guidance or instruction regarding common user actions



Remove power plug from the power outlet

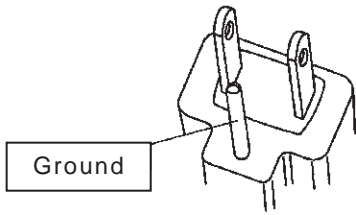


Always connect a ground cable

# Safety Precautions (Adhere to these precautions at all times)

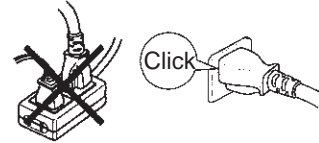
## Warning

Ground items properly.



Failure to follow this instruction may cause electric shock if there is a malfunction or ground leakage. Contact a professional for grounding.

Adhere to the following when handling power plugs.



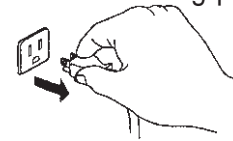
- Ensure that this product is the only appliance connected to the power outlet.
- Insert the power plug into the power outlet all the way to the base.

Adhere to the following when handling power cables.



- When removing the power plug, hold the power plug, instead of the cable itself, and pull to remove. Failure to follow this instruction may cause electric shock or short circuit.
- Do not use power cables or power plugs if they are damaged, or if the connection with the power outlet is loose. Failure to follow this instruction may cause electric shock or a fire.

Remove the power plug if this product is not going to be used for a long period of time.



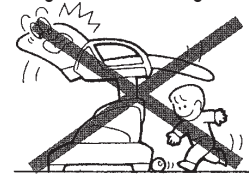
Remove the power plug from the power outlet if this product is not going to be used for a long period of time, such as after work or when the shop is closed. Dust and moisture may cause faulty insulation, leading to a ground leakage fire.

Periodically remove dust from the power plug.



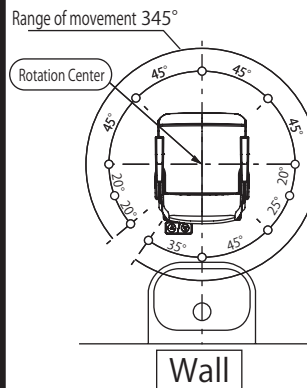
Periodically remove any dust or dirt from the power plug and power outlet. Moisture may lead to faulty insulation, and cause a fire.

Adhere to the following when raising and lowering the chair.



When raising or lowering the chair, check and make sure that there are no people around the chair or the step. Since the chair is very heavy and a great force is applied to the base part, failure to follow this instruction may cause a serious injury if pinched in between.

Besides, in the case of rotatable type (AY-FROLB, AY-FROSB, AY-FRSLB, AY-FRSSB), chair rotates within a range of 345°. When raising or lowering the chair at rotated position, be sure that the chair will not to hit any surrounding objects, which may result in breakage of the equipment.



Always remove the power plug during maintenance.



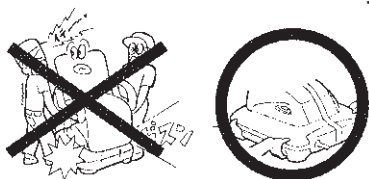
Remove the power plug from the power outlet during maintenance. Do not remove or insert the power plug with wet hands. Failure to follow this instruction may cause electric shock or burns.

Adhere to the following when raising and lowering the legrest.



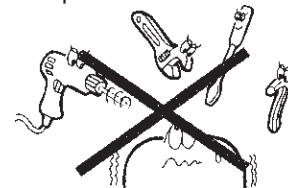
When raising and lowering the legrest, check and make sure that there is enough space between customer's leg and any objects in front of it before operation. Failure to follow this instruction may cause a serious injury.

Be careful where to hold the chair when carrying it.



Hold the chair at the base when carrying it. If holding the upper part of the chair, the base may drop off, leading to a serious injury.

Disassembly and repairs/modifications are prohibited.



Disassembly, repairs and modifications must not be conducted by people other than qualified repair technicians. Failure to follow this instruction may cause electric shock, fire or abnormal operation, leading to injury.

# Safety Precautions (Adhere to these precautions at all times)

## Warning

Take care when operating this product.

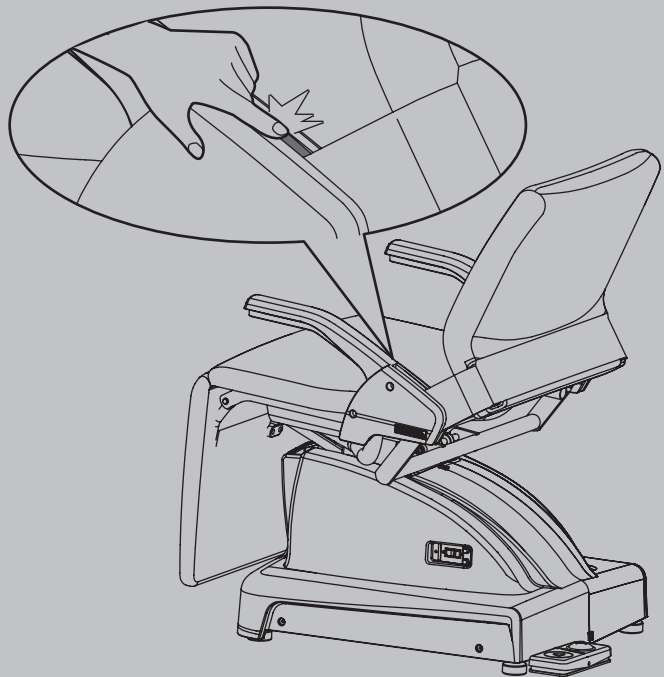


When operating this product, ensure that the customer is seated deeply in the seat and that their feet are on the leg rest, and keep an eye on them during operation. If you notice anything unusual, stop the operation immediately, especially if elderly customers or small children are seated in the seat, as the change in posture caused by the Auto Mode operation may cause unexpected strain.

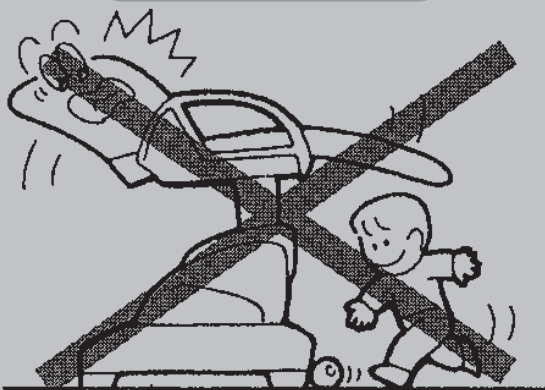
### A serious injury may happen in following cases.

Due to the mechanism of the chair (equipment), there is a gap around the movable parts. Touching metallic parts of the inner part of the equipment from this gap may result in cutting hands or fingers or pinching injury while operation, leading to a serious injury. Especially, hands and fingers of small children may easily be trapped by the gap, and will be more likely to cause a serious injury. We shall ask salon workers and parents to pay maximum attention to avoid such danger.

Pinched by the movable part.



Pinched by the movable part.



Customers or equipment may fall over.



# Safety Precautions (Adhere to these precautions at all times)

## Warning

Turn the power off after use of the product.



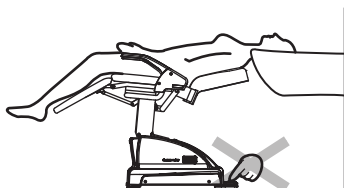
Turn the power off when the product is not in use to prevent from malfunction.

Stop using this product if it does not move, or if it feels like there is a problem present.



Stop using this product and contact your closest dealer if the seat does not move, or if it feels like there is a problem present.

Be careful not to perform incorrect foot switch operations.



Take care not to accidentally operate the foot switch while shampooing, or to trip over the foot switch or base part. Failure to follow this instruction may cause the unit to operate suddenly, leading to injury.

Do not apply load when the legrest is raised.



Do not get on or apply load on the legrest when it is at raised position. Failure to follow this instruction may cause it to fall over or damage the product.

Be careful of the step when getting on or off the chair.



Do not step on the tip or the side of the step, which can cause the chair to tilt. Failure to follow this instruction may cause the customer to lose their balance and fall over.

Do not allow more than one person to sit in the chair.



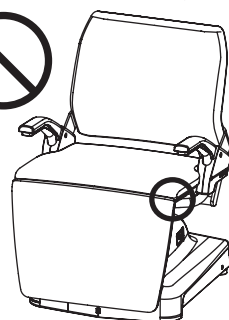
The seat must not be seated by two or more people at the same time. The maximum load of this product is 135 kg or less. Using this product while it is unstable or with a load that exceeds the maximum load may cause malfunctions or damage, leading to injury.

Do not climb on the backrest when it is reclined.

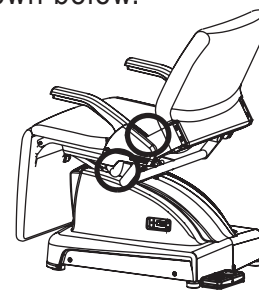


Do not climb on or apply excessive force to the backrest when it is reclined. Failure to follow this instruction may damage the product or cause it to fall over.

Do not insert fingers into movable parts as shown below.



- Gap of legrest upper part
- Gap between side part of seat and base part.

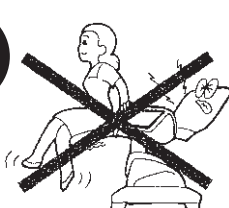


- Gap between backrest frame and armrest movable part.
- Gap between seat and base part

Do not insert fingers into movable parts. Failure to follow this instruction may cause injury.

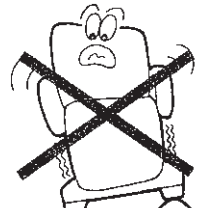
## Caution

Get on or off the seat always with the seat at its lowest position.



Get on or off the seat when the seat is at its lowest position. Getting on or off the seat when it has been raised may cause the chair to fall over, leading to injury.

Install on a stable area.



Install the chair on a flat, firm floor. Failure to follow this instruction may cause the chair to fall over.



# Precautions for Use

Take care that customers or other people do not touch the foot switch or power switch.



- Take care that customers or other people do not touch the switch while using this product. Carelessly operating the switches may cause injury.
- If the product is not going to be used, remove the power plug from the power outlet to prevent accidental operation by other people.

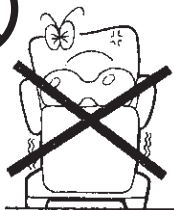
Do not lean on the chair (Rotatable type)



Do not lean on the chair without care. (AY-FROLB, AY-FROSB, AY-FRSLB, AY-FRSSB)  
Failure to follow this instruction may cause the chair to rotate suddenly, leading to falling accidents..



Do not place objects on this product.



Only allow people to sit on the seat. Placing heavy objects on the seat may cause deformation and damage, leading to injury.



Be careful of the power cord.

When the customer is getting on/off the chair or during operation, be careful that the customer is not caught by the power cord or does not step on the cord. Failure to follow this instruction may cause the customer to fall over or break the equipment.



Do not use this product with the cover broken.

Replace the cover if it breaks. Continuing to use this product with a broken cover may cause a malfunction or an accident.



Do not apply steam directly to the leather.

When using the steamer to perform hair/scalp care and other work, do not apply the steam directly to the leather. Failure to follow this instruction may cause degradation of the leather.



Do not use outdoors.

This product is designed for indoor use. Do not install this product outdoors or within a vehicle. Be sure to only use this product inside a barber or hair salon. Failure to follow this instruction may cause malfunctions or damage to the product.



Avoid direct sunlight or heat from a stove. Avoid direct sunlight or heat from a stove. Failure to follow this instruction may cause discoloration or degradation of the leather.



Operate the power switch by hand.

Always operate the power switch by hand. Failure to follow this instruction may damage the product.

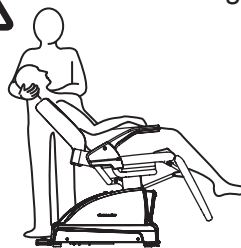


Do not subject the unit to shocks.

Do not subject the unit to shocks. Failure to follow this instruction may cause damage, leading to injury.



Support the customer's head by hand when reclining or raising the backrest.



Support the customer's head by hand when reclining or raising the backrest. Failure to follow this instruction may cause the customer to hit their head on the basin.



If chemicals spill on to this product, wipe them dry as soon as possible. If chemicals such as hair dyes spill on to this product, wipe them dry as soon as possible. Failure to follow this instruction may cause discoloration, deterioration or deformation. Also, if chemicals spill on to the floor, wipe them dry as soon as possible.



After use, completely wipe off any water on the product.

Leaving the product with water on it may cause damage, and make dirt difficult to remove.



Do not wipe with chemicals or apply heat.

Failure to follow this instruction may cause deformation or discoloration. If chemicals spill on to the leather or covers, wipe them dry as soon as possible.



Always wipe the floor clean if it is wet.

Wipe the floor as soon as possible if it is wet after shampooing. Failure to follow this instruction may damage the floor or cause degradation and malfunctions to parts in contact with the floor or the foot switch.



Be careful when customer is getting on/off the chair.

Guide customers when they are getting on/off the chair so as not to fall over. Especially for rotatable type (AY-FROLB, AY-FROSB, AY-FRSLB, AY-FRSSB), always be sure to hold the chair while customer is getting on/off the chair. Failure to follow this instruction may cause sudden chair rotation, leading the customer to fall over.



Do not force the seat, backrest or legrest up.

Failure to follow this instruction may cause incorrect operation or malfunctions.

- For using this product safely, make sure to perform inspection shown in "Procedures for Daily Inspections" (page 24) of this manual.

# Precautions for Handling Synthetic Leather



## Handling precautions

### •Stains caused by clothing dyes

The synthetic leather of this product may become stained by direct contact with clothes or belts. If there is stains, wipe clean as quickly as possible with a 10% detergent solution diluted using water to prevent permanent staining.

### •Take care of deformation or stains due to direct contact

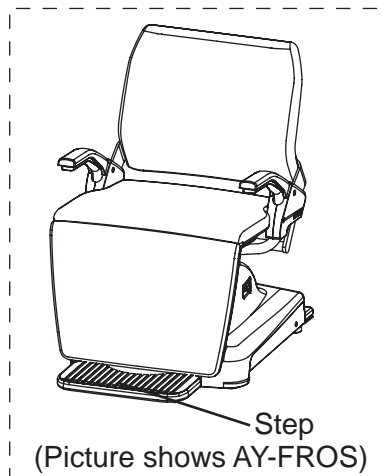
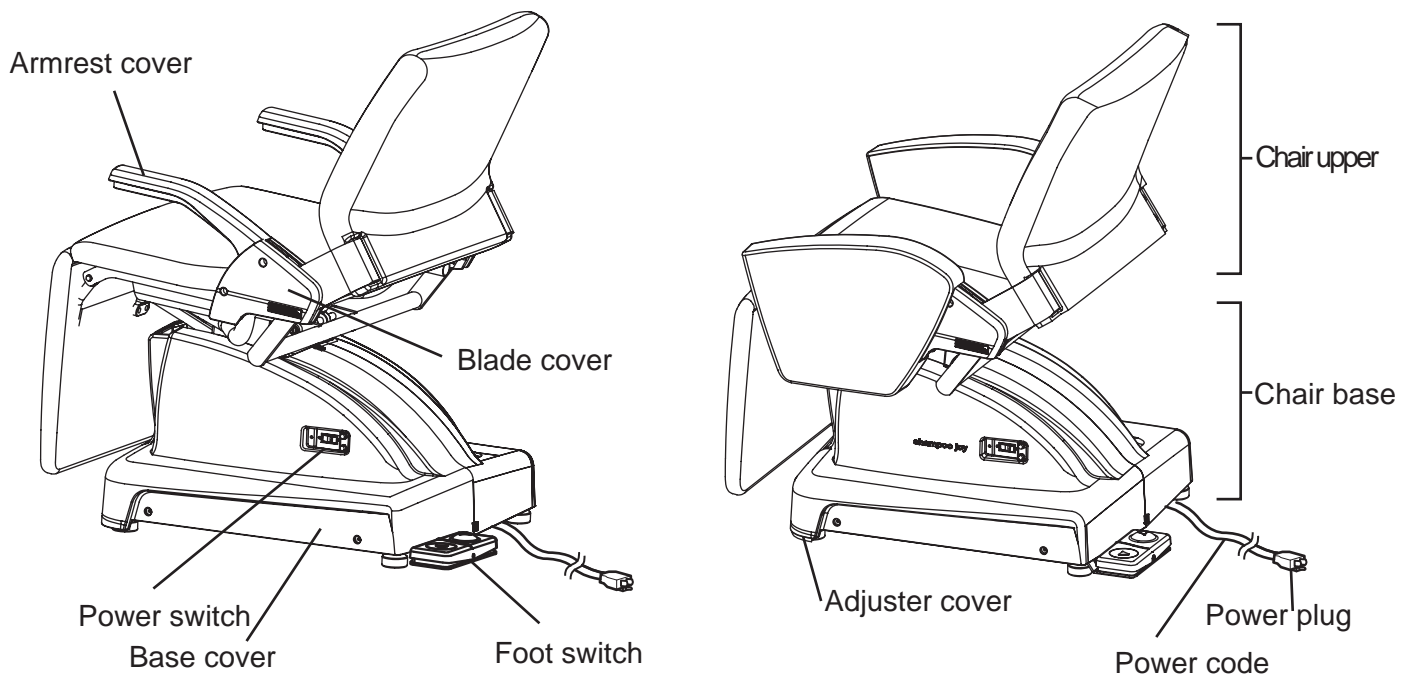
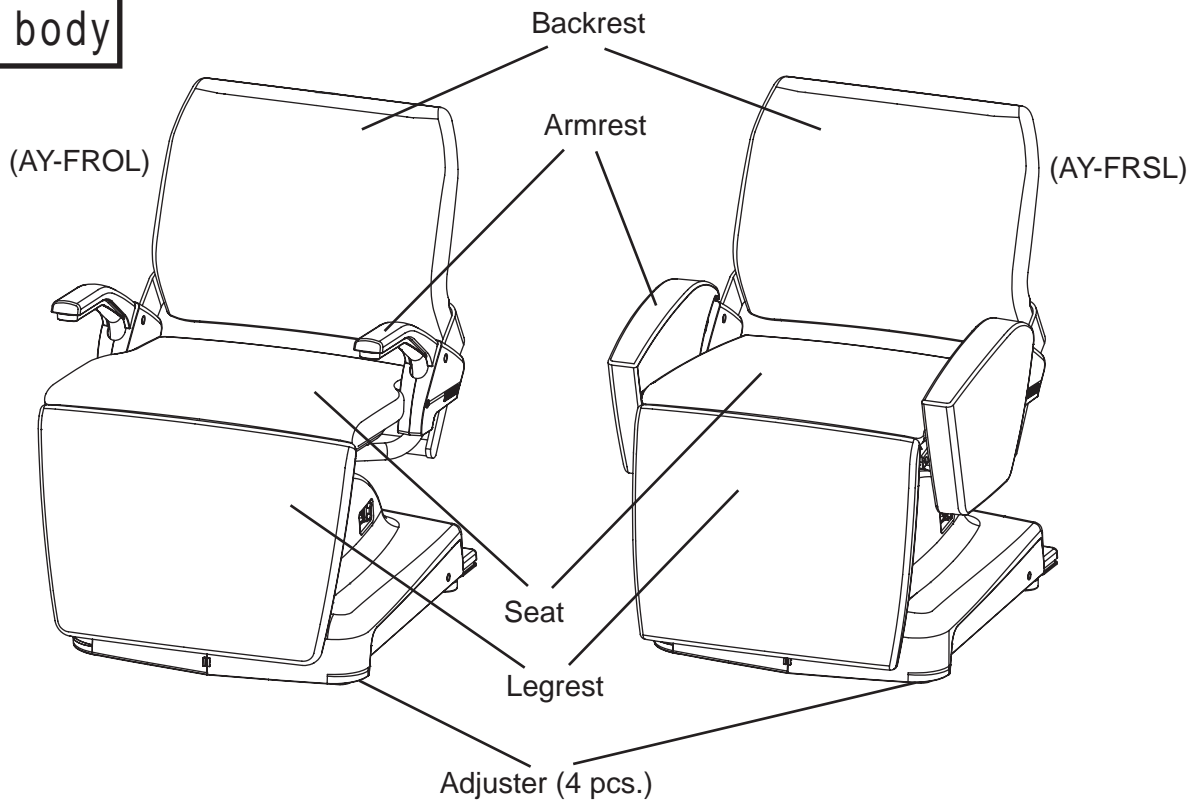
- Direct contact with other objects such as plastic products, painted items, solvents or adhesive tape may cause changes to the surface luster, cracking, deformation or peeling.
  - Direct contact with newspaper or printed paper may cause stains.
  - Direct contact with items of clothing such as printed images of t-shirts, or jeans may cause discoloration of the synthetic leather of this product.
  - Direct contact with solvents such as benzene, nail polish remover, alcohol, oil (including beauty treatment oils) may cause discoloration, melting of the surface, elution of the plasticizing agent, changes to surface luster, hardening/softening or peeling.
  - Using bleach or bleached sheets may cause changes to surface luster or discoloration.
  - Installing this product next to sources of excess heat such as irons or heaters may cause deformation or discoloration.
  - Protect this product from direct sunlight by installing curtains. Failure to follow this instruction may cause changes, shrinking, discoloration or fading of the leather surface.
  - Placing heavy objects for a long period of time may leave an imprint or wrinkles on the synthetic leather that cannot be removed.
- Take care when handling products with NL1 leather (white), as there may be difficulty in removing stains from the leather or stitching.

## Position of Warning Labels

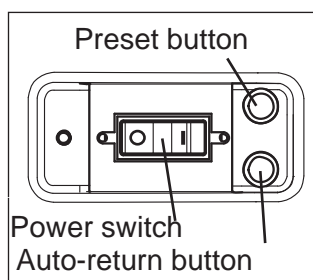


# Name of Parts

## Main body

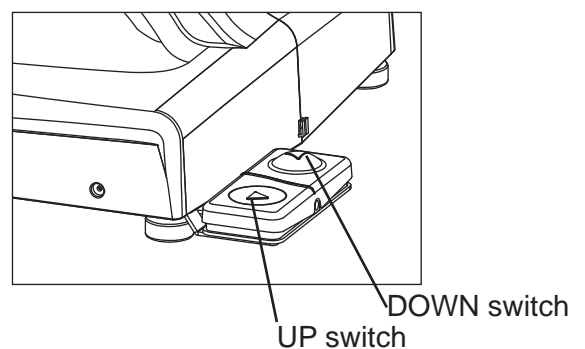


## Control switch



\* The preset button and auto-return button are used only for maintenance. Nothing operates when pressing these buttons.

## Foot switch





# Accessories

## For Legrest type / Step type

- Installation instructions.....1
- Operating manual (this manual).....1

## For Step type

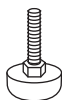
Adjuster (38L) x 1  
with nut



Adjuster holder (47L) x 1



Adjuster (56L) x 1  
with nut



Adjuster holder (77L) x 1



# Before Using This Product

This product is a chair designed for using with a shampoo bowl used in hairdressing salon for performing side shampooing. Using this product properly with a shampoo bowl enables to perform shampooing safely and comfortably.

When using this product, thoroughly read this manual and operating manual of a shampoo bowl used together with this product and use them safely.

### ●Wrinkles of synthetic leather

Due to the design of the chair, there are some wrinkles to the upholstery. Besides, soft cushions are used to add volume. During long use of the chair, the wrinkles may become wider.

# Preparations

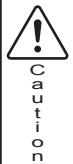
## 1 Adjust The Height

This product is designed for using with shampoo bowl with a neck height of 750 - 800mm. At delivery, the product is set to match a neck height of 775mm. When using this product at different height, adjust the height as per the followings.

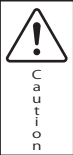
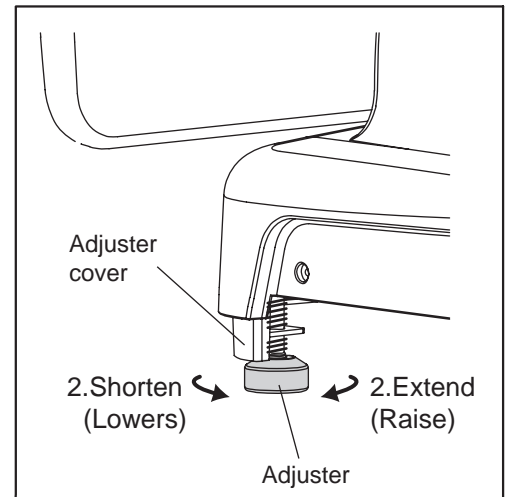
Also, after installation, if the chair may rattle due to the floor, adjust the adjuster to make the chair stable and horizontal.

Adjust the chair height with the adjuster to a suitable height to match your shampoo bowl.

At the same time, change the height of adjuster cover according to adjuster.



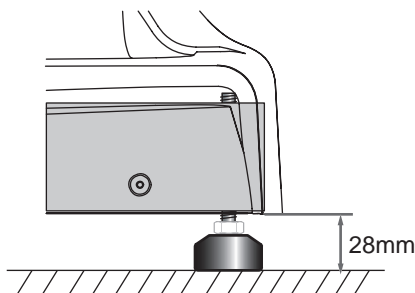
Do not tilt the chair too much as it may cause deformation or breakage of the adjuster or the adjuster cover.



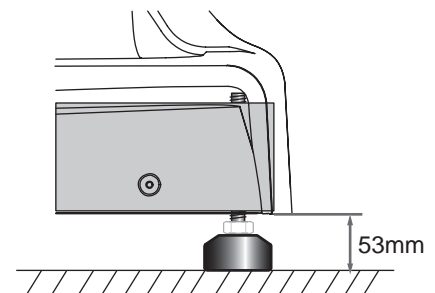
Check and make sure that the chair does not rattle after moving the chair for maintenance or cleaning the salon.

As a guide, adjust the height from the floor to base of the product as shown in the below illustrations.

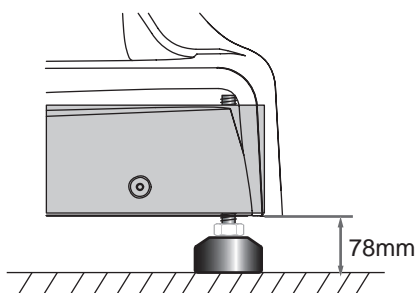
For a shampoo bowl with neck height of 750mm.



For a shampoo bowl with neck height of 775 mm.



For a shampoo bowl with neck height of 800 mm.

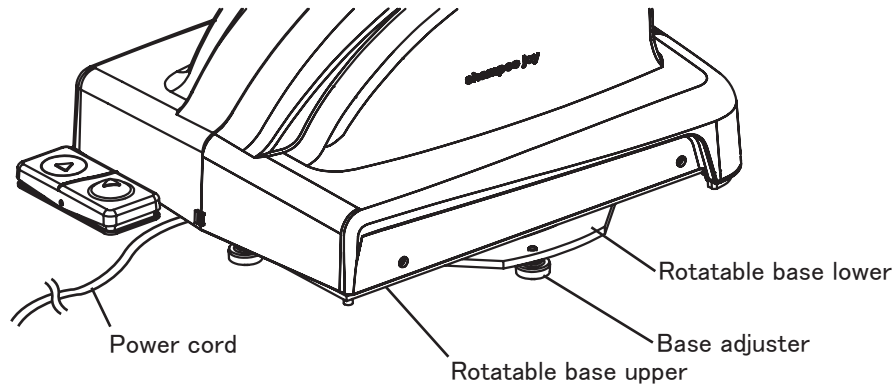


# Preparations

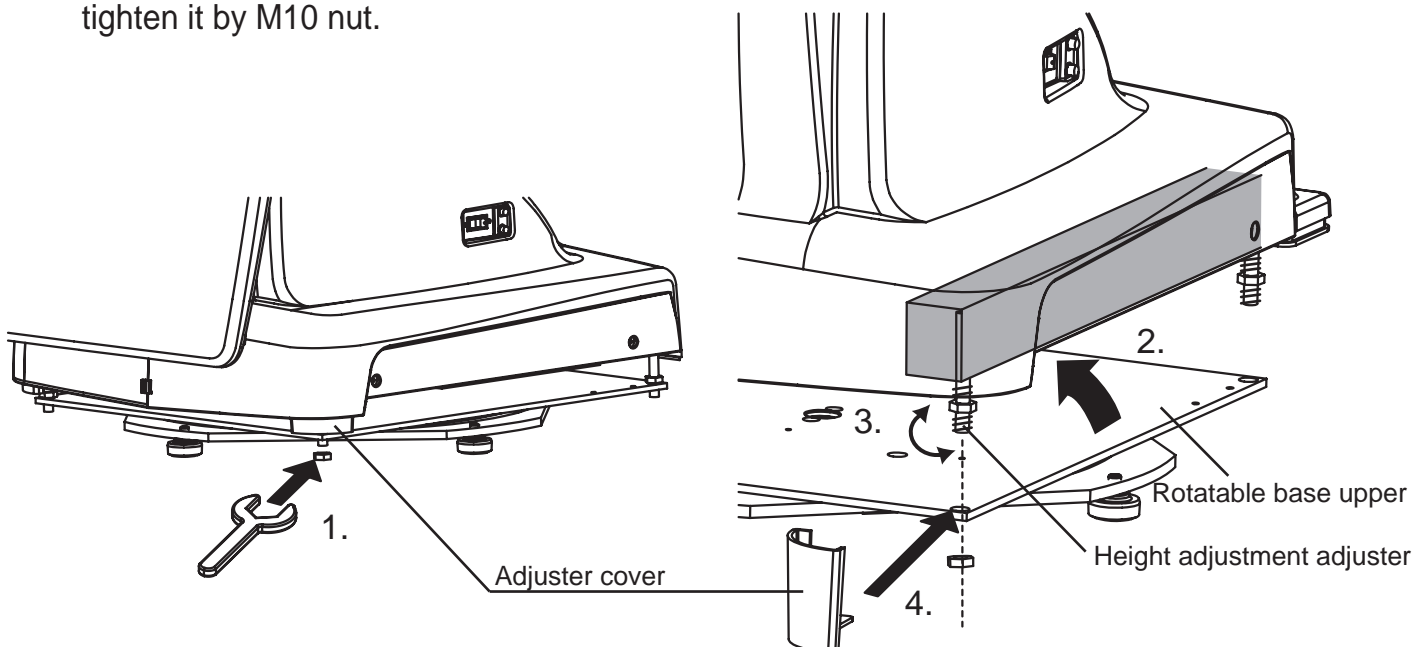
## Only for rotatable type

(AY-FROLB, AY-FROSB, AY-FRSLB, AY-FRSSB)

- (1) Install the chair at the position where the power cord comes out from the back side of the chair.
- (2) If the chair rattles, adjust it by the base adjuster at 4 places.  
Base adjusters can be seen when rotating the chair.



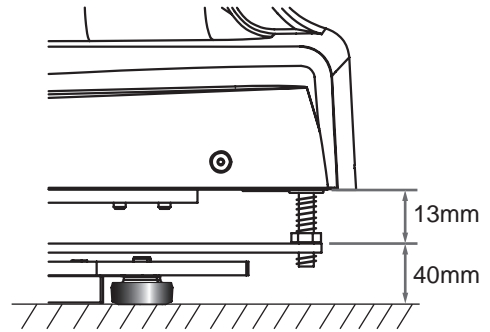
- (3) To adjust the adjuster (can be adjusted at maximum 40mm)
  1. Remove M10 nut at 4 places by 17mm Spanner.
  2. Raise front side of the chair, remove the height adjustment adjuster from the hole of the rotatable base upper, and remove the adjuster cover. (do the same for the other side.)
  3. Rotate the 4 places of height adjustment adjuster by 17mm Spanner and adjust the height.
  4. Insert adjuster cover between rotatable base upper and height adjustment adjuster and tighten it by M10 nut.



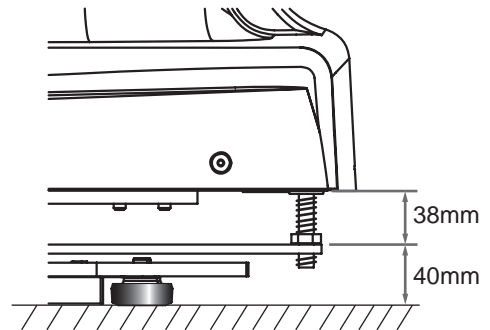
# Preparations

As a guide, adjust the height from the floor to base of the product as shown in the below illustrations.

For a shampoo bowl with neck height of 775 mm.



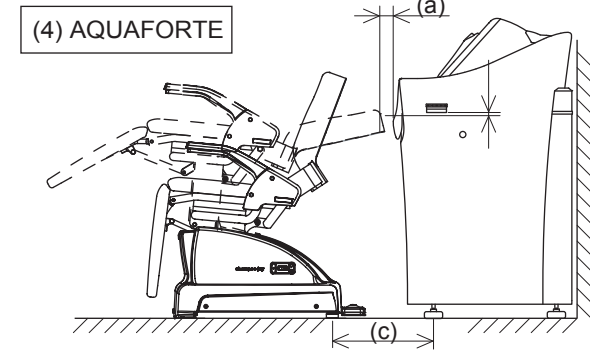
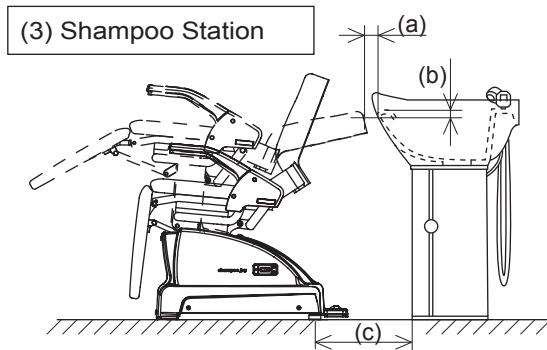
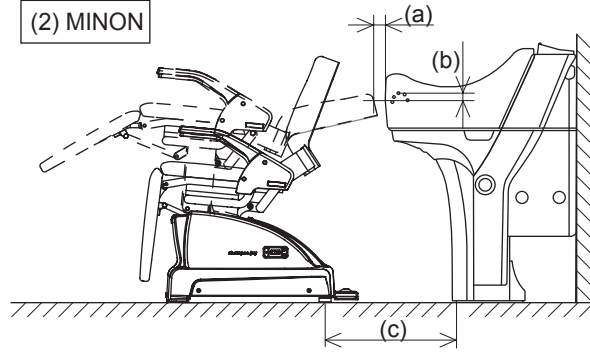
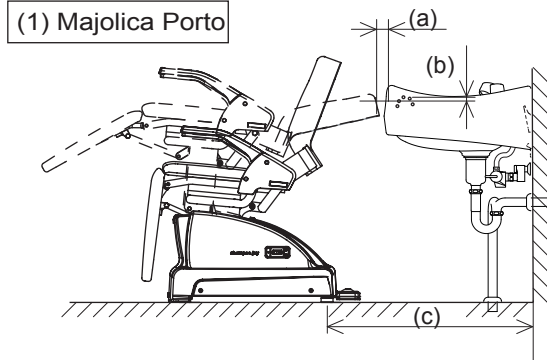
For a shampoo bowl with neck height of 800 mm.



# Preparations

## 2 Installation

As per the following illustrations, install the chair.



	Name of shampoo basin	(a) From top of the backrest to front end of the bowl	(b) Difference in height of backrest and neck (need to adjust the height of adjuster)	(c) From center of back side adjuster to front end of the base
(1)	Majolica Porto	20 (*Gap from top of the backrest to front end of neck core: 50) -> Guide: Gap that a showerhead can be inserted in.)	0 (Difference in height of backrest and neck core)	730 (*Gap between center of backside adjuster to wall)
(2)	MINON (*In the case of Wall mount type)	20 (*Top of the backrest to front end of neck core: 50) -> Guide: Gap that a showerhead can insert in.)	0 (Difference in height of backrest and neck core)	475
(3)	Shampoo Station	50	30	335
(4)	AQUAFORTE	10	0	305

(Unit: mm)

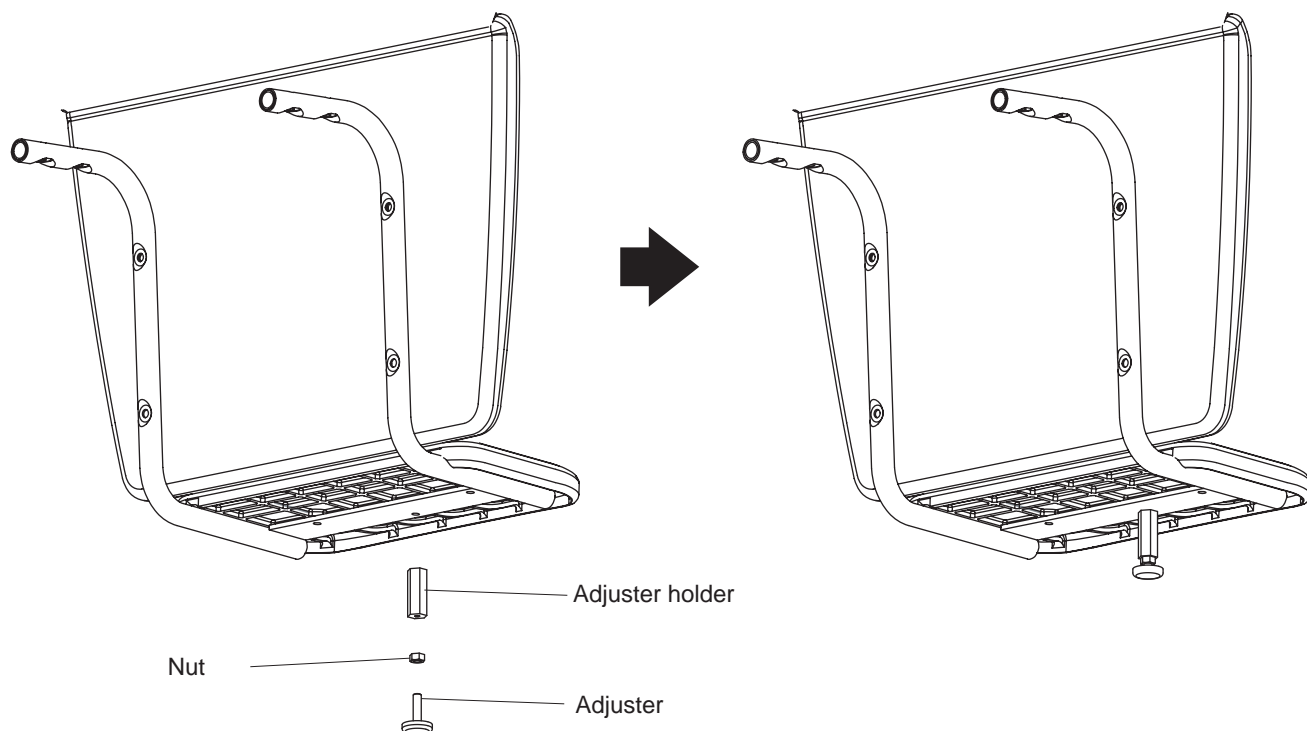
N O T E	<ul style="list-style-type: none"> <li>•The above measurement is actual measured value. Including dimensional tolerance of shampoo bowl and chair upholstery, the actual measurement may slightly differ from the above from product to product.</li> <li>•After installing the shampoo bowl, install the chair according to the measurements of (a) and (b) .</li> <li>•Be careful of the position. If the position of shampoo bowl and chair is inappropriate, excessive load is applied to customer's hip or back which may make customers feel uncomfortable. Especially, when the gap between backrest and neck part of the shampoo bowl is narrower, customer's shoulder may touch the bowl or customer's back may become painful, so make sure to have enough gap.</li> <li>•Always have at least two people to carry the chair by holding the bottom of the base part. Do not tilt, drag or push the product when carrying it. Failure to follow this instruction may damage the floor surface, deform and break the adjuster, leading to malfunction, product breakage or falling over injury. Always be sure to hold base part, as carrying the product by holding armrests and backrest etc. may cause product malfunction or breakage.</li> </ul>
------------------	---



# Preparations

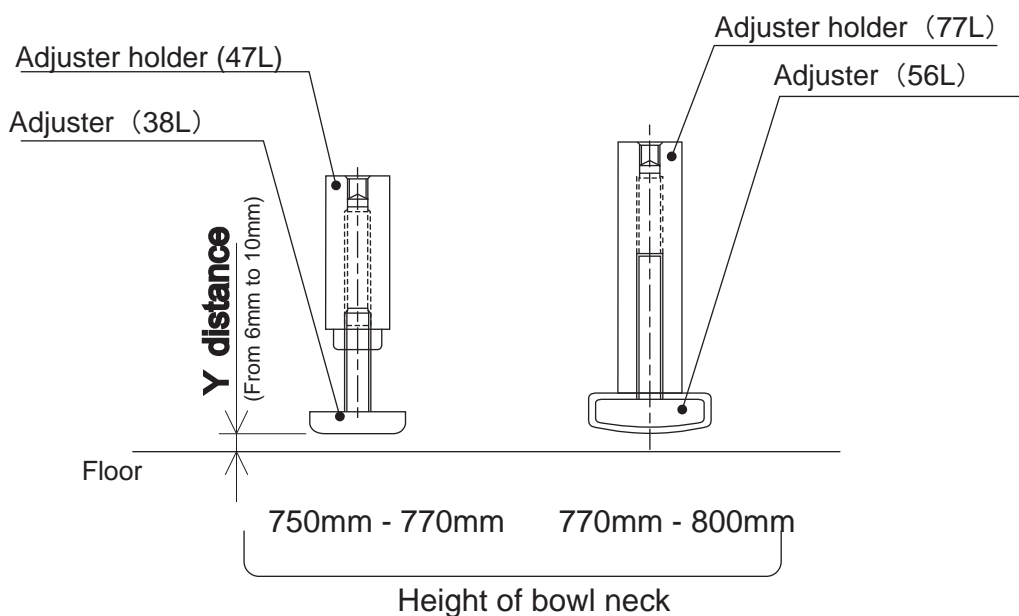
## 3 Attach Step Adjuster of Step Type

(Step type: AY-FROS, AY-FR0SB, AY-FRSS, AY-FRSSB)



Attach adjuster of step as shown above.

The Y distance which is from floor to base of adjuster should be 6 mm to 10 mm.



(Caution 1) Set the adjuster and adjuster holder according to height of bowl neck.

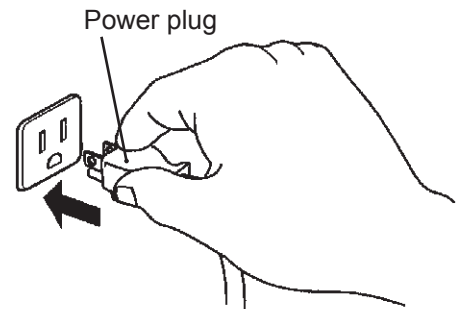
(Caution 2) In the case of 770mm, remove nut, tighten the adjuster and use.



For step type, each 2 kinds of adjuster and adjuster holder are supplied with the product. Keep and store the ones not in use for future when changing the height of the product.

# Preparations

## 4 Power

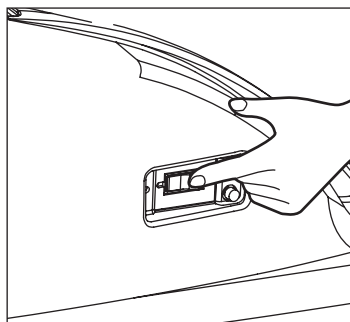
1. Insert the power plug into a power outlet.



 Warning	•Ensure that this product is the only appliance connected to the power outlet.
	•Insert the power plug into the power outlet all the way to the base. When removing the power plug, hold the power plug, instead of the cable itself, and pull to remove.
	•Electric works should be done by a professional.
	 Ground items properly. Failure to follow this instruction may cause electric shock if there is a malfunction or ground leakage.

2. Turn the power on.


Power switch




■ The power switch is located at the left of the base part. The power will turn on if the power switch is pushed to the right (I symbol). The power will turn off if pushed to the left (O symbol).

Enlarged view (actual size)



 Warning	•Turn the power off if this product is not going to be used for a long period of time.
	•Remove the power plug if this product is not going to be used for a long period of time, such as when the shop is closed. Dust and moisture may cause faulty insulation, leading to a ground leakage fire.
	•Always turn on/off the power switch by your hands only.

 Warning	Do not turn on the power switch while pressing the foot switch. Setting position will be reset to the initial setting.
--	--

# How to Use

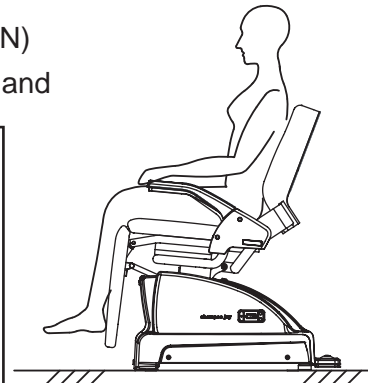
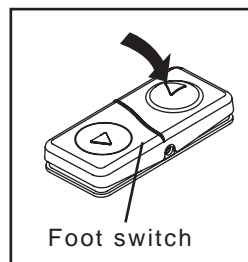
## 1 Guiding Customers

Guide the customer to sit in the seat from the side.

Check that the seat is in its initial position.

- Holding down (pressing for one second or longer) the DN (DOWN) switch will make the unit "beep", then automatic mode will begin and the seat will return to the initial position.

For small customer, ask sitting back in the seat fully so that setting to appropriate position will be easier.



## 2 Set To Shampooing Position

### 1. Recline the chair.

The product moves to the preset shampooing position automatically.

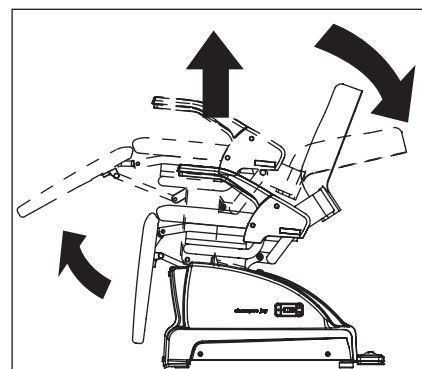
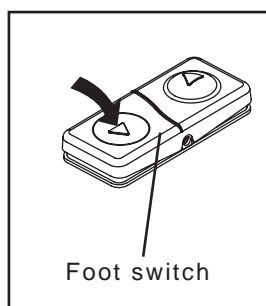
However, to avoid incorrect operation, when the chair is at its initial position, it will not move until holding down the UP switch for 0.5 seconds.

Holding down (pressing for one second or longer) the UP switch will make the unit "beep", then automatic mode will begin to guide the customer to the preset position.

The seat rises while the backrest reclines.

Simultaneously\*, legrest rises.

\*Legrest does not move in the case of step type (AY-FROS, AY-FR0SB, AY-FRSS, AY-FRSSB).



### Cancellation function

To stop the chair movement while the chair is moving in the automatic mode (preset, auto-return), press the UP or DN (DOWN) switch once. This will immediately stop the chair movement. Pressing the switch again will make the chair to move again.

# How to Use

## Set To Shampooing Position

### 2. Adjust the shampooing position manually.

When minor adjustment of the seat height is required (manual operation)

**1** To slightly lower the seat, press the DN (DOWN) switch briefly (pressing for one second or less).

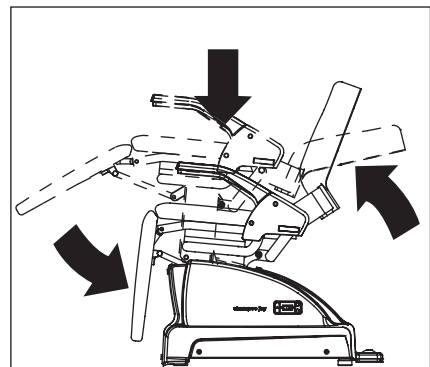
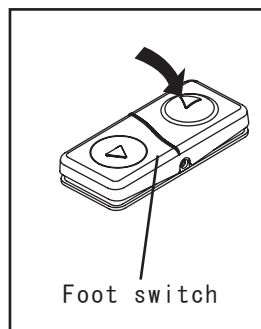
**2** To slightly raise the seat, press the UP switch briefly (pressing for one second or less).

\* Be aware that pressing the switch for one second or longer will enter into automatic mode.

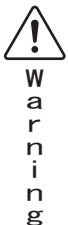
\* The seat cannot be raised higher than the preset position at delivery.

### 3 Return to the initial position

Holding down (pressing for one second or longer) the DN switch will make the unit "beep", then automatic mode will begin, the backrest will raise and the seat will lower automatically to the initial position. The <sup>\*</sup>legrest will lower simultaneously.



\*In the case of step type (AY-FROS, AY-FROSB, AY-FRSS, AY-FRSSB), legrest is fixed.



- Always be sure to check and confirm there are no people around the chair, before raising or lowering the chair (reclining or raising the backrest). Failure to follow this instruction may cause a serious injury.
- Legrest moves simultaneously with backrest reclining and raising. When reclining or raising the backrest, check that customer's leg will not contact with any surrounding equipment.
- When reclining or raising the backrest, check that there are no arms or others between backrest and armrests. When the arms are caught in, it may cause a serious injury.
- When customers get on/off the rotatable type (AY-FROLB, AY-FROSB, AY-FRSLB, AY-FRSSB), always hold the chair so that it will not rotate suddenly. Failure to follow this instructions may cause to falling accidents.

#### Cancellation function

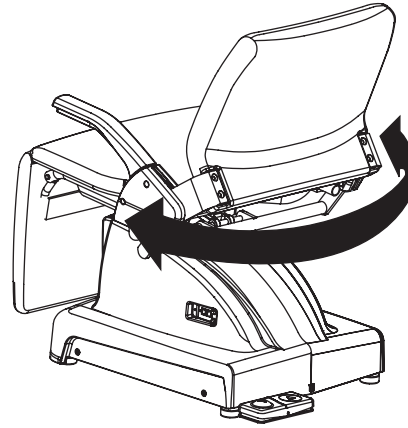
To stop the chair movement while the chair is moving in the automatic mode (preset, auto-return), press the UP or DN (DOWN) switch once. This will immediately stop the chair movement. Pressing the switch again will make the chair to move again.

# How to Use

## Rotate the chair (AY-FROLB, AY-FROSB, AY-FRSLB, AY-FRSSB)

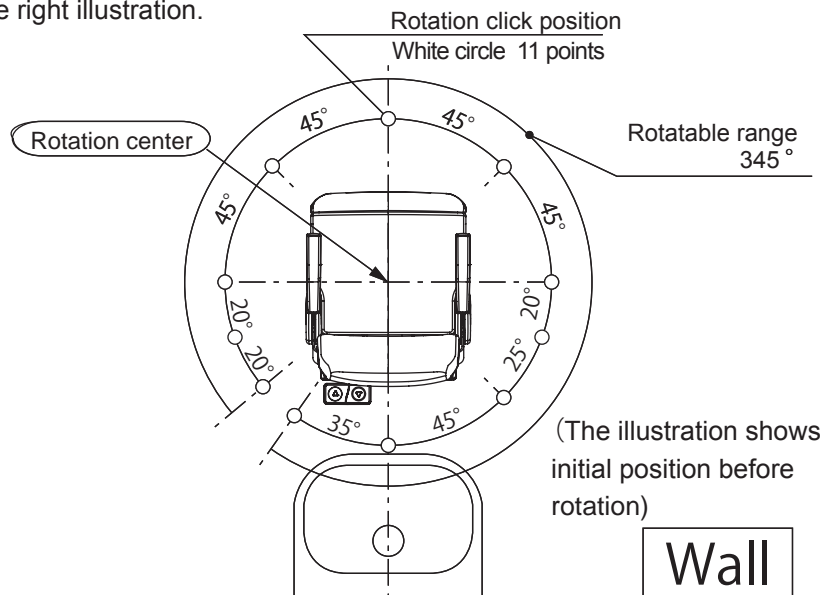
### 1 Rotate the chair.

Hold backrest or armrest, and push the chair lightly, then the chair rotates freely.  
Rotation range is 215 degrees to clockwise and 130 degrees to anti-clockwise.



### 2 Stop the chair rotation.

Stop rotating the chair at the desired rotation click position.  
The rotation click positions are shown in the right illustration.  
Rotation is clicked automatically.



### ⚠ Caution

- The rotation click mechanism differs from rotation lock. Applying great force on the chair will release the click mechanism. Do not lean on the chair unnecessarily. This may cause releasing the click mechanism to make the chair rotate, leading to falling injury.
- When rotating the chair, always check and make sure there are no people around the chair. Also, be careful that the base part does not hit the operator's leg.
- As shown in the above illustration, backside of the chair facing the bowl is the initial position before rotation.  
When raising or lowering the chair while the chair is in rotated position, be careful that the chair does not hit bowl or other equipment around the chair. Failure to follow this instruction may cause breakage of the product.
- Always stop the chair at one of the click positions when not rotating it.



# Maintenance

## Resin cover parts (except plating parts)

Wipe with a soft, damp cloth.

**If extremely dirty,**

wipe with a detergent solution diluted using water

## Synthetic leather parts

Clean the leather with a soft, dry cloth.

**If extremely dirty,**

wipe with a detergent solution diluted using water

## Control switch, Metal parts, Resin cover (plating parts)

Wipe with a soft, dry cloth.

When moisture applies, wipe it off immediately.  
Failure to follow this instruction may cause rust or malfunction of the electric parts.

## Note

Never use the followings.

- Volatile chemicals such as thinners, alcohol, gasoline or kerosene.
- Cleaning products such as wax with a scourer, a sponge with a scourer, detergents that include organic solvents, acidic, alkaline or chlorine-based detergents, or scouring pads.

# Daily Inspections

- To ensure that this product can be used for a long period of time, follow the procedures outlined in "Procedures for Daily Inspections" on page 24 of this instruction.



Always inspect this product following the procedures outlined in "Procedures for Daily Inspections".  
Continuing to use this product without performing the daily inspections may cause malfunctions or accidents.

# Before Requesting Repairs

Symptom	Check this	Solution
<ul style="list-style-type: none"> <li>■ Chair does not move.</li> </ul>	<ul style="list-style-type: none"> <li>■ Is the power plug inserted properly?</li> <li>■ Is the power switch turned on?</li> <li>■ Has the fuse or circuit breaker in the store's switchboard blown or tripped?</li> <li>■ Has this product been used continuously for long periods of time?</li> </ul>	<ul style="list-style-type: none"> <li>■ Insert the power plug into a power outlet. (see page 15)</li> <li>■ Turn the power switch on. (see page 15)</li> <li>■ Replace the fuse or turn the circuit breaker ON.</li> <li>■ This is due to the overheat protection system activated. Leaving the product to stand for 10 minutes will make it return to normal.</li> </ul> <p style="text-align: center;"> <span style="border: 1px solid black; padding: 2px;">Overheat protection system</span> </p> <p style="text-align: center;">             Protective circuit that stops the motor if the product has been used continuously, to prevent overheating of the internal mechanisms. This product may be temporarily unresponsive when the overheat protection system has been activated.         </p>

- If the product does not operate properly after checking and repairing the above points, stop using the product immediately and contact your closest dealer.

## This is not malfunction of the product.

■ Abnormal sound appears at the start of the day.

■ This is caused by the grease inside the product cooling down, and it is not a mechanical fault.. It will disappear after a while.

- To request after-sales service, contact your closest dealer or Takara Belmont directly.

# Standard Duration of Use

- The standard period of use of this product is seven years.
- The standard period of use is "a guide for the standard period that this product can be used properly from a safety perspective, when conducting appropriate maintenance and inspections (including replacement of parts) for the standard usage conditions for each product. This is not the same as the warranty period.

# Consumable Supplies

- The following parts are "consumable supplies". Wear, degradation, changes in external appearance and damage are expected.  
Please note that repair or replacement of these parts is not covered by warranty, and a fee will be required.  
(\* The level and period of wear, degradation or damage may differ depending on the environment and conditions that the customer uses this product in.)  
Inspections or replacement of parts will be required if there is extensive wear, degradation or damage.

External scratches or dirt, degradation or fading of the following external parts are not covered by warranty.

- Leathered surfaces (Leather, cushion, thread etc.)
- Foot switch
- Adjuster
- Adjuster cover
- Base cover
- Armrest cover
- Blade cover

# Disposing of This Product

When disposing of this product or replaced parts, adhere with current regulations and dispose of them appropriately.

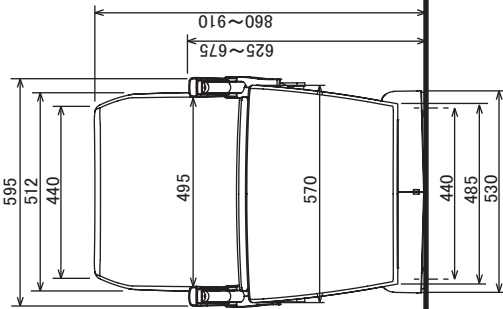
# Specifications

<p>Product Code (Weight)</p> <p>*The last "B" stands for rotatable type.</p>	<ul style="list-style-type: none"> <li>● Open Armrest Type               <ul style="list-style-type: none"> <li>▪ Legrest Type                   <ul style="list-style-type: none"> <li>AY-FROL (55kg)</li> <li>AY-FROLB (80kg)</li> </ul> </li> <li>▪ Step Type                   <ul style="list-style-type: none"> <li>AY-FROS (55kg)</li> <li>AY-FROSB (80kg)</li> </ul> </li> </ul> </li> <li>● Style Sofa Type               <ul style="list-style-type: none"> <li>▪ Legrest Type                   <ul style="list-style-type: none"> <li>AY-FRSL (57kg)</li> <li>AY-FRSLB (82kg)</li> </ul> </li> <li>▪ Step Type                   <ul style="list-style-type: none"> <li>AY-FRSS (57kg)</li> <li>AY-FRSSB (82kg)</li> </ul> </li> </ul> </li> </ul>
Rated voltage	AC 220 V
Rated frequency	50/60Hz
Rated power consumption	1.6A
External dimensions	See next page
Drive method	Electronic and hydraulic
Stroke	220mm
Reclining angle(angle from horizontal)	[Automatic return]66°- [Preset]12°
Legrest angle(angle from horizontal)	[Automatic return]90°- [Preset]31°
Usage environment	Operating temperature of 10 to 40°C Operating humidity of 95% or less (ensure no condensation)
Load	1350N (135kgf)

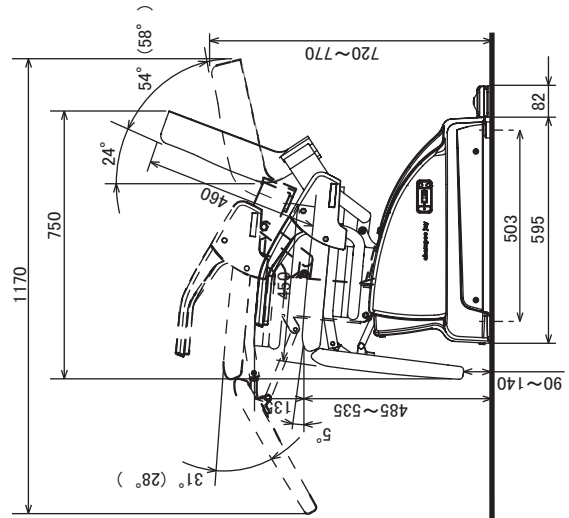
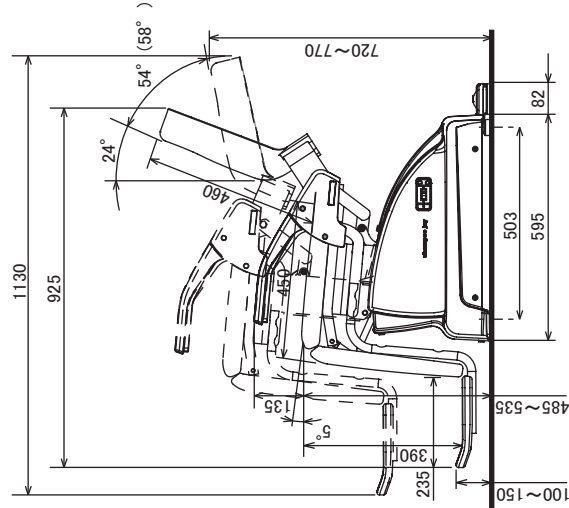
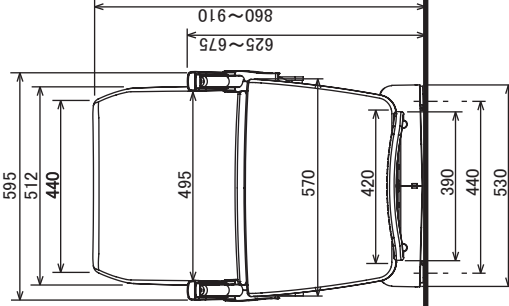
# Specifications

## ● Open Armrest Type

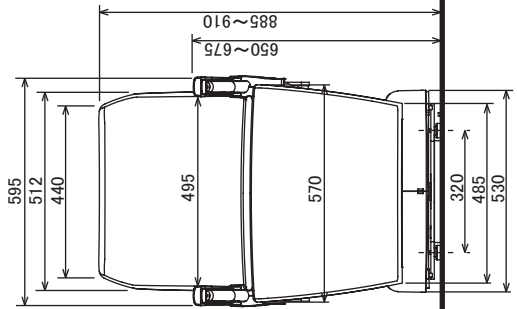
(AY-FROL)



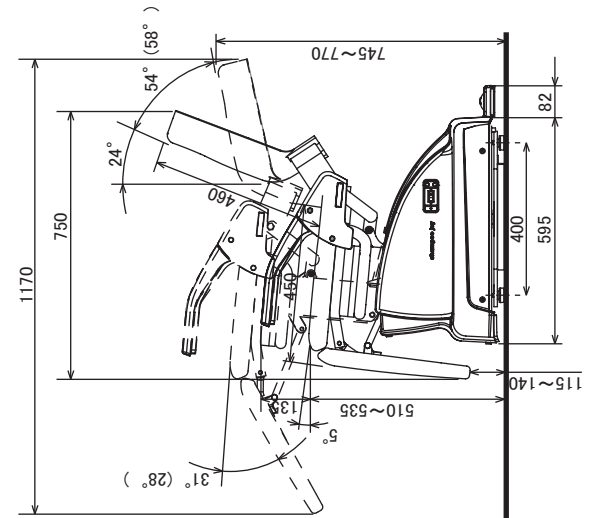
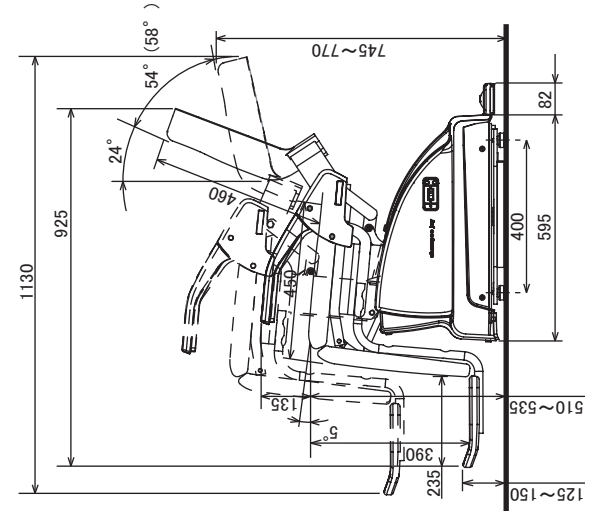
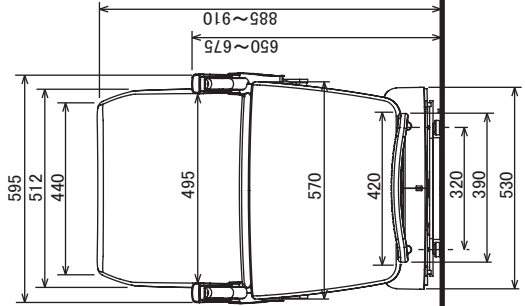
(AY-FROS)



(AY-FROLB)



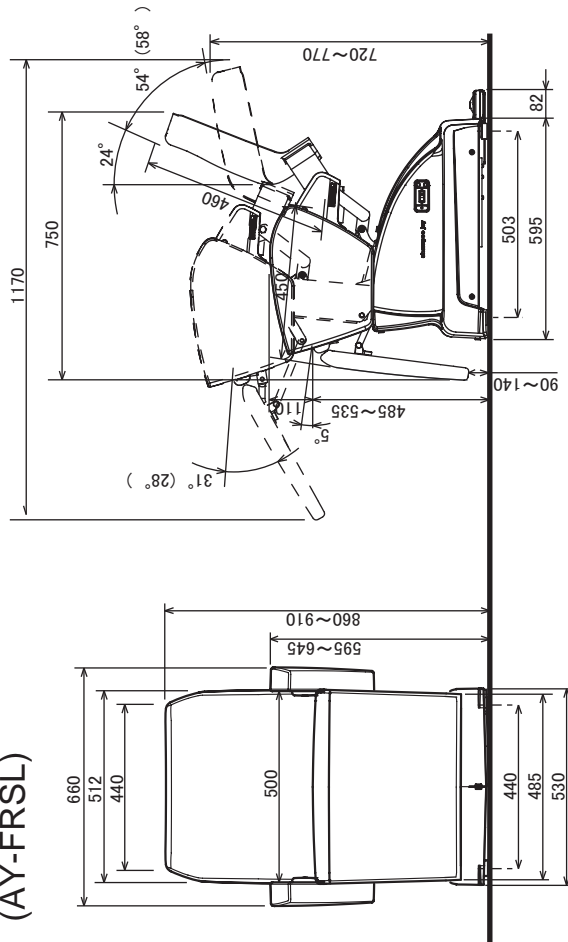
(AY-FROSB)



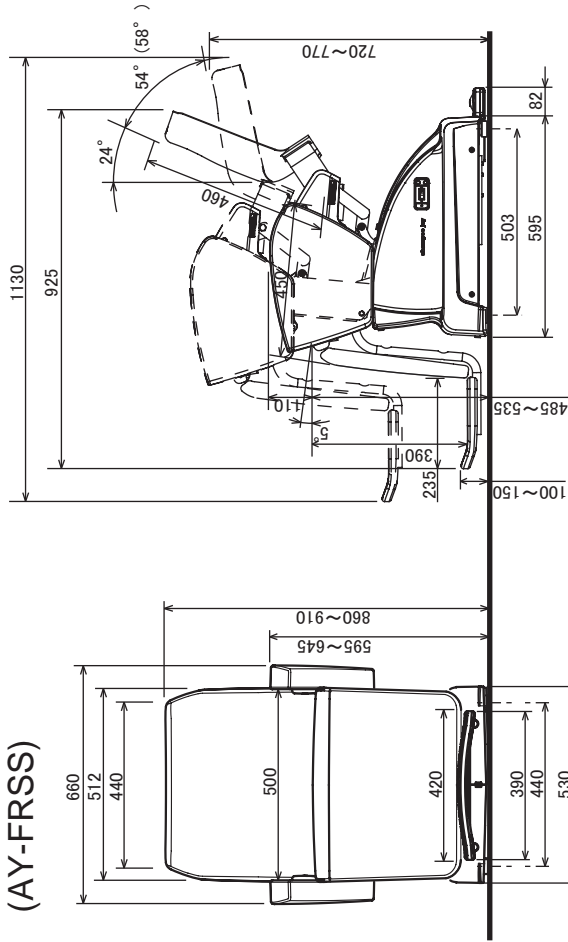
# Specifications

## ● Style Sofa type

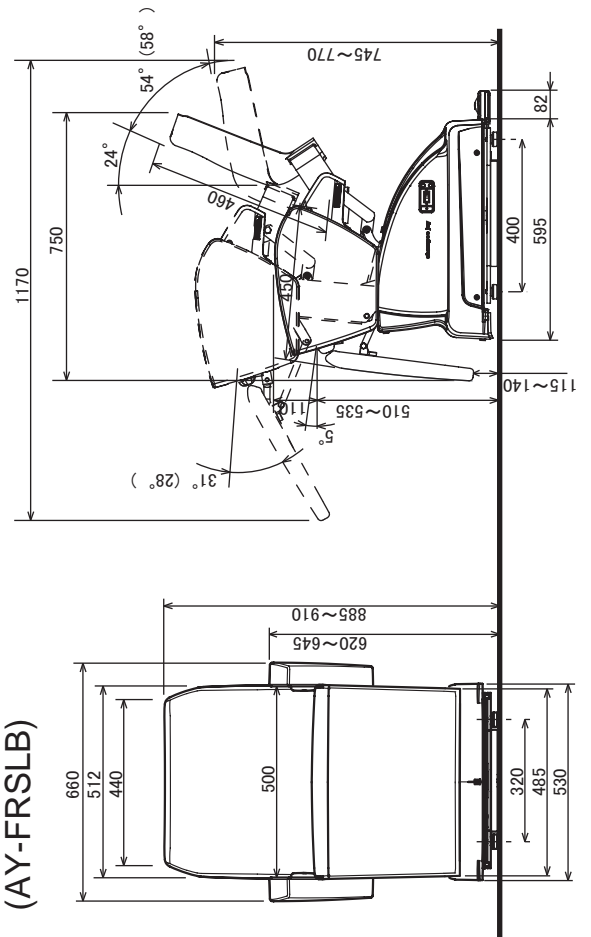
(AY-FRSL)



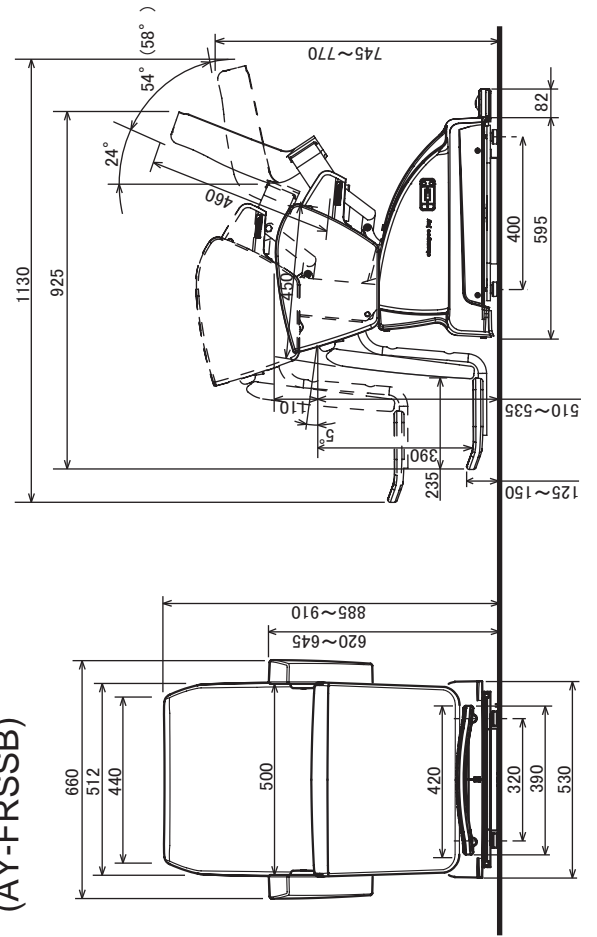
(AY-FRSS)



(AY-FRSLB)



(AY-FRSSB)



Tolerance of upholstered part is  $\pm 15\text{mm}$ , angle is  $\pm 2^\circ$ .



# Procedures for Daily Inspections

To ensure that this product can be used for a long period of time, conduct the inspections below.

Inspection item	Inspection method	If the inspection results show defects
<input type="checkbox"/> Does the backrest, seat or armrest rattle?	<input type="checkbox"/> Slowly push the top of the backrest, the front end of the seat, or end of the legrest in each direction, and check whether they rattle.	<input type="checkbox"/> Rattling may cause incorrect operation or damage to the product, leading to falling accidents. Stop using the product and contact your closest dealer.
<input type="checkbox"/> Does the step rattle?	<input type="checkbox"/> Slowly push the step in each direction and check whether it rattle.	<input type="checkbox"/> Rattling may cause incorrect operation or damage to the product, leading to falling accidents. Stop using the product and contact your closest dealer.
<input type="checkbox"/> Is the seat operating properly?	<input type="checkbox"/> Turn the power switch on and check that a warning sound is not emitted intermittently.  <input type="checkbox"/> Check that the UP switch and DN (DOWN) switch operates normally.  <input type="checkbox"/> Check that by pressing UP or DOWN foot switch for one second or more, beep sound is heard and the product move to the set position automatically.  <input type="checkbox"/> Check that there is no rattle or abnormal noise when the seat is operating.  <input type="checkbox"/> Check that the chair tops at the desired position for a fixed period and does not sink.	<input type="checkbox"/> Turn the power switch off, and turn the power on again after 5 seconds. If the warning sound continues to be emitted, there may be a malfunction in the position detector. Stop using the product and contact your closest dealer.  <input type="checkbox"/> Customers may not be able to get on or off the seat safely. If the seat does not operate properly, contact your closest dealer.  <input type="checkbox"/> Adjust the preset position according to "Setting the preset position" (Page 6 of Installation Instructions) and operate again. If the product still does not move properly, contact your closest  <input type="checkbox"/> If there is rattle or abnormal noise when the seat is operating, contact your closest dealer.  <input type="checkbox"/> If the chair does not stop for a fixed period and sinks, stop using the product and contact your closest dealer.
<input type="checkbox"/> Is there an abnormal odor or smoke from the product?	<input type="checkbox"/> Is there an abnormal odor or smoke from the product?	<input type="checkbox"/> Abnormal odor or smoke may cause abnormal operation or a fire. Stop using the product immediately and contact your closest dealer.
<input type="checkbox"/> Is there any oil leaking?	<input type="checkbox"/> Check that there is no oil around the base cover.	<input type="checkbox"/> Oil may be leaking from the hydraulic cylinder. Stop using the product immediately and contact your closest dealer.
<input type="checkbox"/> Is there any bending deformation to the adjuster?	<input type="checkbox"/> Check visually that there is no bending deformation to the adjuster. (Check by moving the adjuster cover up and down. After check, return the adjuster cover to initial position.)	<input type="checkbox"/> It may result in product breakage or falling injury. Stop using the product and contact your closest dealer.
<input type="checkbox"/> Is there any rust found on screw part of the adjuster?	<input type="checkbox"/> Check visually that there is no rust found on screw part of the adjuster. (Check by moving the adjuster cover up and down. After check, return the adjuster cover to initial position.)	<input type="checkbox"/> It may result in product breakage or falling injury. Stop using the product and contact your closest dealer.
<input type="checkbox"/> Is there no air entered in the hydraulic mechanism (If holding armrests or backrest when carrying the chair, air may enter into the mechanism.).	<input type="checkbox"/> When a load is applied to the seat at its lowest position, check that the chair will not sink.	<input type="checkbox"/> Customers may not be able to get on or off the seat safely. Contact your closest dealer.


  
**TAKARA BELMONT CORPORATION**
  
 1-1, 2-Chome, Higashi-shinsaibashi, Chuo-ku, Osaka, Japan
   
 TEL : (06) 6212-3523 FAX : (06) 6211-5745
   
 Printed in Japan