

shampoo joy FERIO

Installation Instructions

Read before removing from the wood frame (skid).

Produce Code • Shampoo Chair

•Open Armrest Type

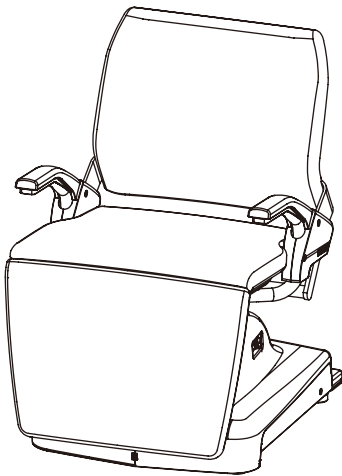
- Legrest Type
AY-FROL
AY-FROLB (Rotatable)

- Step Type
AY-FROS
AY-FROSB (Rotatable)

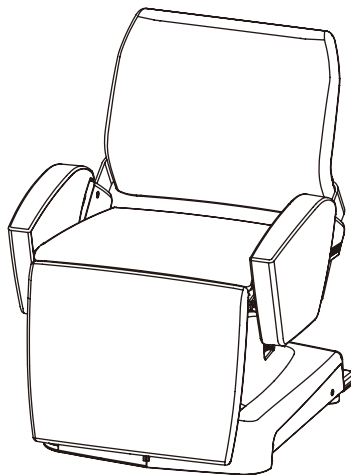
•Style Sofa Type

- Legrest Type
AY-FRSL
AY-FRSLB (Rotatable)

- Step Type
AY-FRSS
AY-FRSSB (Rotatable)



(Image is of AY-FROL)



(Image is of AY-FRSL)

Table of Contents

Before Installation	1
Carrying and Installing the Main Body	2
How to Adjust the Height	4
How to Adjust the Height of Rotatable Type	5
Attach the Adjuster of Step Part (AY-FROS, AY-FROSB, AY-FRSS, AY-FRSSB)	7
Attach Step Part	8
Correlation with Shampoo Bowl	9
Check Operation	11

To the installer

- The instructions should be thoroughly read and understood before installation to ensure that FERIO is installed correctly.
- Installation and assembling should be done by a professional.
- After installation, give these instructions to the customer.

To the customers

- Customers must not install FERIO by themselves.
- Customers must store these instructions in a safe place so as not to lose them.

•About the illustration

The precautions illustrated here are to prevent any danger or risk to you or your customers. All of these precautions are important for safety. Be sure to observe them.



Caution

If FERIO is installed after ignoring this symbol, "there is the risk of injury or physical damage".

Ver. 1 2015.07

1E04TRA0

Before Installation

■ Power

To turn the power on, install the C-4 plug.

When the plug is changed due to a reason related to the customer, install a power plug that is suitable for the product.

■ Connecting to ground

To prevent accidents from occurring in the unlikely event of electrocution, and to improve noise resistance within control circuits, always install the ground designed for this product.

● Do not connect the ground cable to any of the following:

- Water pipes: any PVC pipes within the plumbing system will prevent a proper ground connection.
- Gas pipes: there is a risk of an explosion or fire.
- Telephone cables, lightning rods: there is a risk of a large current if there is a lightning strike.

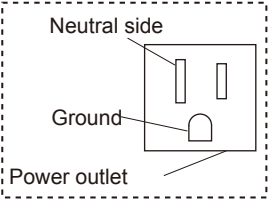
⚠ Caution

Handling power plugs
Check the power plugs are free from dust, and insert the plug all the way to the base so that there is no rattle. Dusty power plugs or improper connections can cause electrocution or fires.

Handling power cables
Do not subject power cables to excessive forces, modify, twist or bend them. Power cables can become severed if they are placed under heavy objects or become trapped within tight areas, and can cause electrocution or fires.

Handling power outlets
Use power outlets for one appliance only, and always connect the ground terminal. The use of multi-outlet extension cords can generate heat where the power outlet is divided, and can cause fires.

Remove the power plug during inspections
Remove the power plug before conducting inspections or adjusting settings of FERIO. Coming into contact with electrical part while the power is connected may cause electrocution.

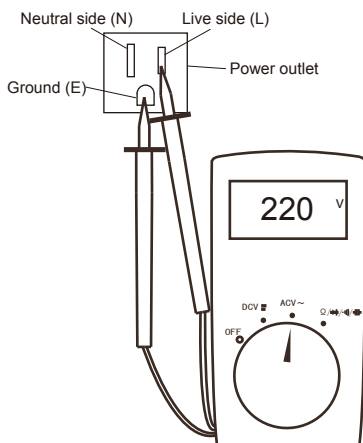


■ Check the power outlet

Check if the power outlet is connected properly as follows.

*If it is not connected properly, it can cause electrocution or fires, so correct it immediately. However, the correction should be done by professional electrician.

- Check the voltage between the live (L) and ground (E), and neutral (N) and ground (E).
 - (1) Check and make sure the voltage between (L) and (E) is around 220V (maximum $\pm 10V$).
 - (2) Check and make sure that voltage between (N) and (E) is around 0V.
- *In the case of (2), a few V may be counted, but it does not cause problem.



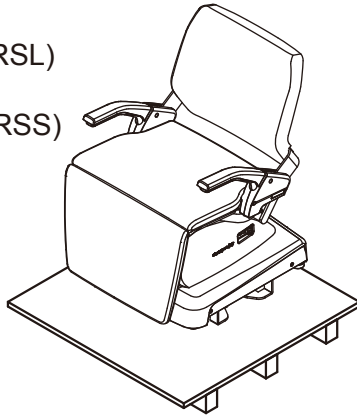
L: Live (non grounding side)
N: Neutral (grounding side)
E: Ground (ground)

*It is possible to check by electroscope or electro driver.

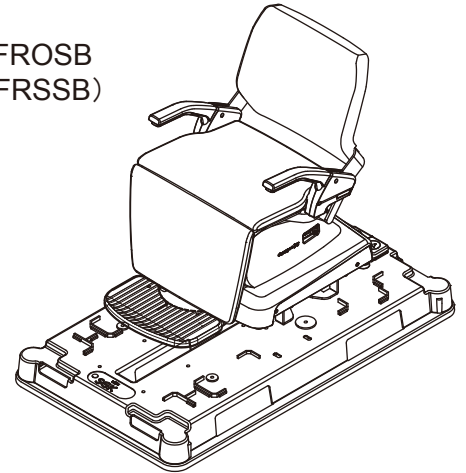
Carrying and Installing the Main Body

■Content of packaging

Legrest type
(AY-FROL, AY-FRSL)
Step type
(AY-FROS, AY-FRSS)



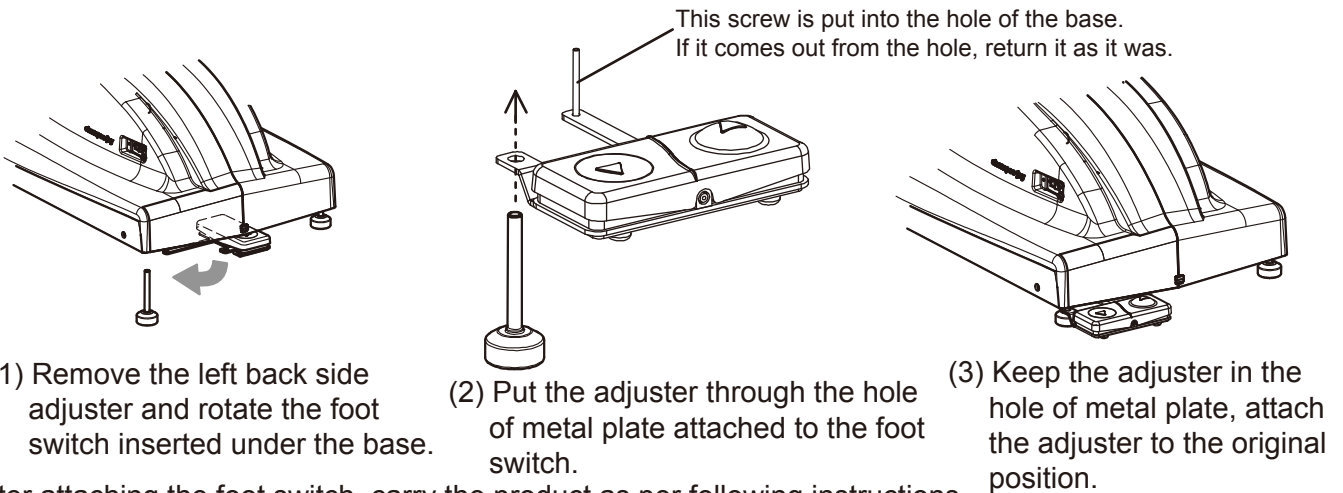
Rotatable type
(AY-FROLB, AY-FROSB
AY-FRSLB, AY-FRSSB)



*In case of step type, step is removed when shipping from the factory so that it will not drop out from the skid. Refer to page 8 when attaching it.

In case of Legrest type (AY-FROL, AY-FRSL)

*Foot switch is inserted under the chair base when packed.
Before removing from the skid, be sure to attach the foot switch.



(1) Remove the left back side adjuster and rotate the foot switch inserted under the base.

(2) Put the adjuster through the hole of metal plate attached to the foot switch.

(3) Keep the adjuster in the hole of metal plate, attach the adjuster to the original position.

After attaching the foot switch, carry the product as per following instructions.

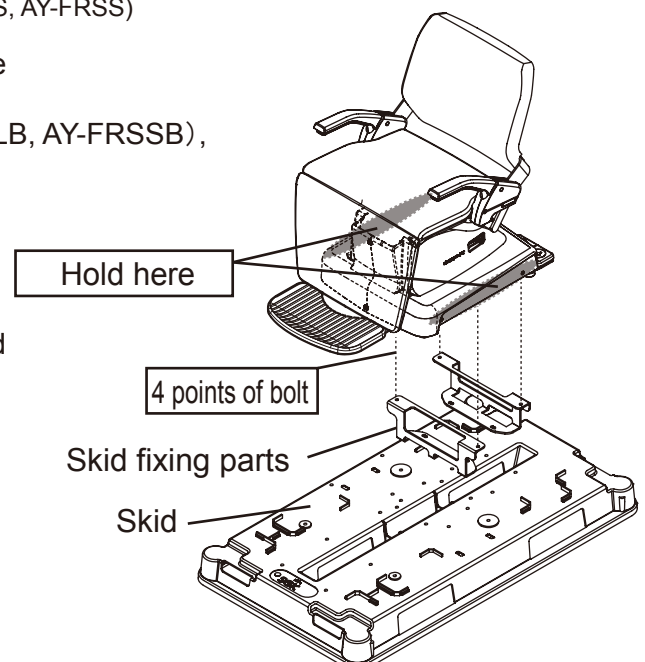
Legrest and Step type (AY-FROL, AY-FRSL, AY-FROS, AY-FRSS)

*For Legrest type, carry the product after attaching the foot switch.

*For Rotatable type (AY-FROLB, AY-FROSB, AY-FRSLB, AY-FRSSB), refer to the instructions shown in next page.

- (1) Remove the 4 points of bolts attaching the chair to the skid fixing parts.
- (2) Hold the base part (gray part) of the chair and carry it.

Caution: Holding other parts other than the designed parts may cause breakage of the product.

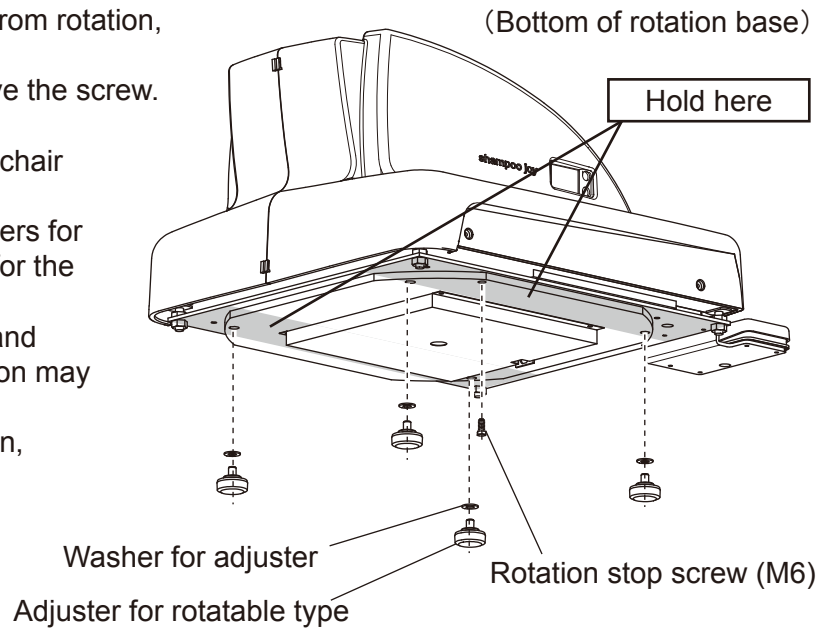


Carrying and Installing the Main Body

In case of rotatable type (AY-FROLB., AY-FROSB, AY-FRSLB, AY-FRSSB)

*A screw is attached in order to prevent chair from rotation, when packed.
After installation of the chair, be sure to remove the screw.

- (1) Remove the 4 points of bolts attaching the chair to the skid fixing parts.
- (2) Tilt the chair and attach the supplied adjusters for rotatable type (with coating) and washers for the adjuster at 4 points.
- (3) Hold the base part of the chair (gray part) and carry the unit. Failure to follow this instruction may cause breakage of the product.
- (4) After moving the chair to installation position, remove the rotation stop screw (M6).



■Accessories

- Operating Manual
- Installation Instructions (this manual)
- In case of step type, the following accessories are packed.

• Adjuster (38L) x 1
with nut



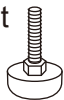
• Adjuster holder (47L) x 1



• Cap nut M8 x 4



• Adjuster (56L) x 1
with nut



• Adjuster holder (77L) x 1



• In case of rotatable type, the following accessories are packed.

• Adjuster for rotatable type
(with coating) x 4



• Washer for adjuster x 4



■ Caution when carrying the unit



Always hold the bottom of the base.

Carrying the unit by holding base cover, foot switch or upholstered parts of the chair may cause breakage of the chair or injury. Also, carrying the chair at tilted position may cause breakage of the adjuster cover or damage to the floor.

How to Adjust the Height

This product is designed for using with shampoo bowl with a neck height of 750 - 800mm. At delivery, the product is set to match a neck height of 775mm. When using this product at different height, adjust the height as per the followings.

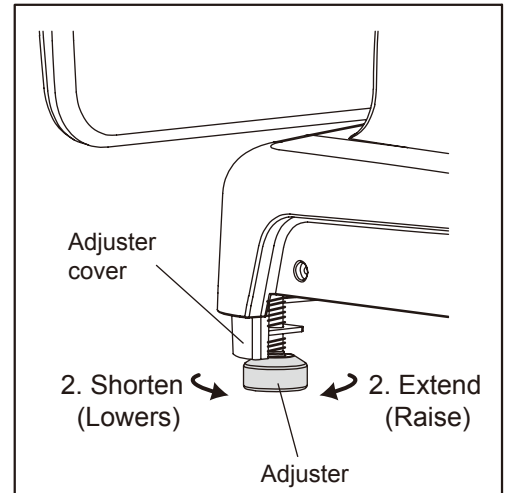
Also, after installation, if the chair may rattle due to the floor, adjust the adjuster to make the chair stable and horizontal.

Adjust the chair height with the adjuster to a suitable height to match your shampoo bowl.

At the same time, change the height of adjuster cover according to adjuster.

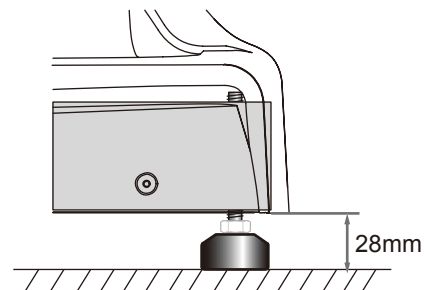


Do not tilt the chair too much as it may cause deformation or breakage of the adjuster or the adjuster cover.

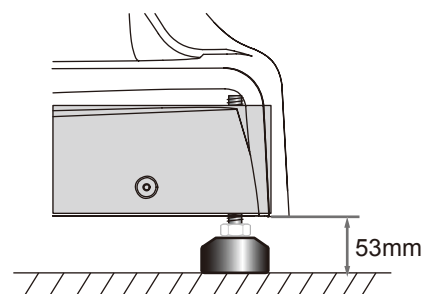


As a guide, adjust the height from the floor to base of the product as shown in the below illustrations.

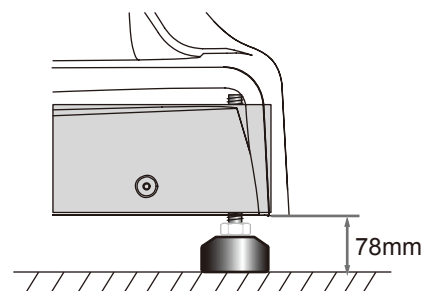
For a shampoo bowl with neck height of 750 mm.



For a shampoo bowl with neck height of 775 mm.



For a shampoo bowl with neck height of 800 mm.

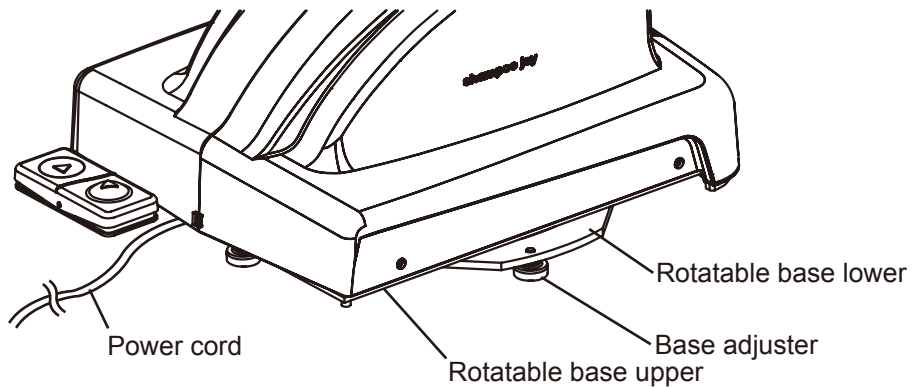


How to Adjust the Height of Rotatable Type

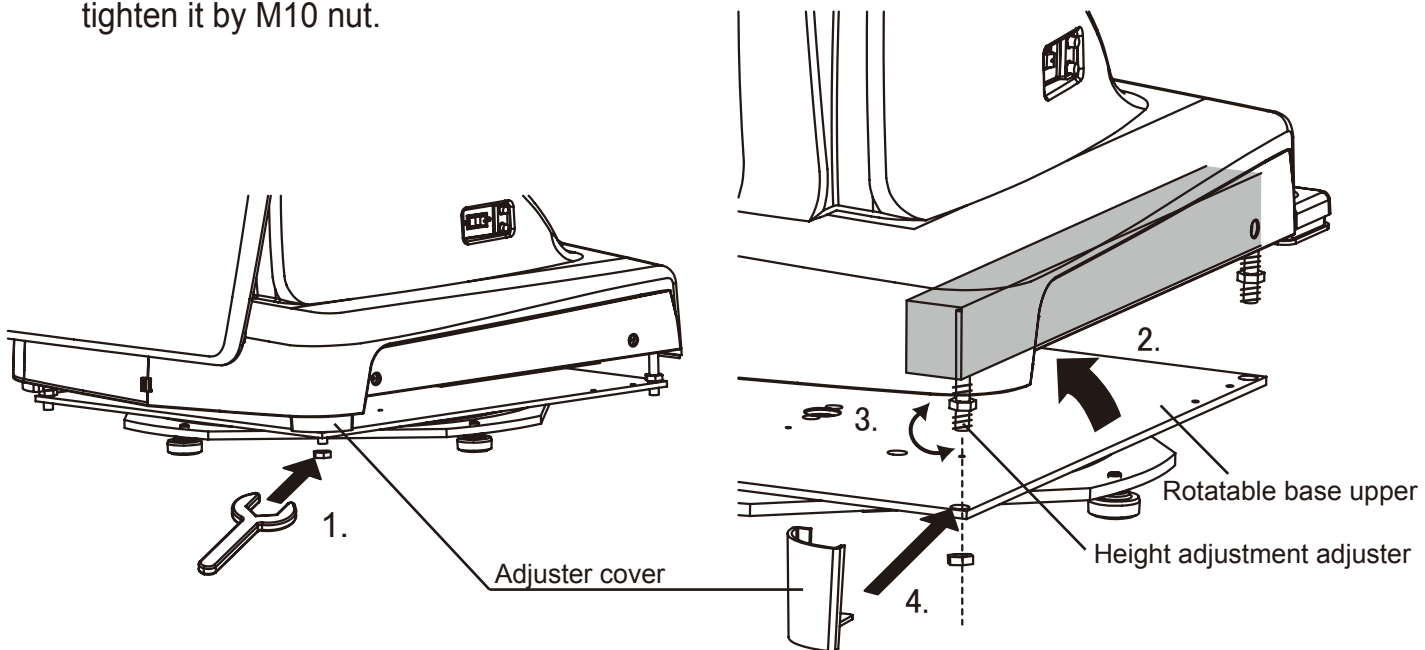
Only for rotatable type

(AY-FROLB, AY-FROSB, AY-FRSLB, AY-FRSSB)

- (1) Install the chair at the position where the power cord comes out from the back side of the chair.
- (2) If the chair rattles, adjust it by the base adjuster at 4 places.
Base adjusters can be seen when rotating the chair.



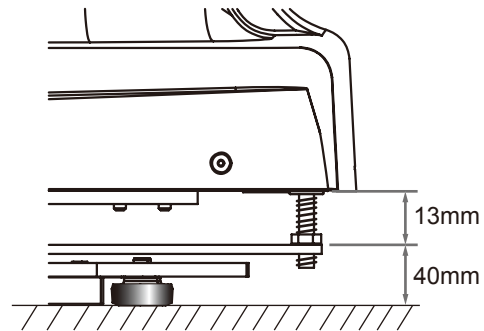
- (3) To adjust the adjuster (can be adjusted at maximum 40mm)
 1. Remove M10 nut at 4 places by 17mm Spanner.
 2. Raise front side of the chair, remove the height adjustment adjuster from the hole of the rotatable base upper, and remove the adjuster cover. (do the same for the other side.)
 3. Rotate the 4 places of height adjustment adjuster by 17mm Spanner and adjust the height.
 4. Insert adjuster cover between rotatable base upper and height adjustment adjuster and tighten it by M10 nut.



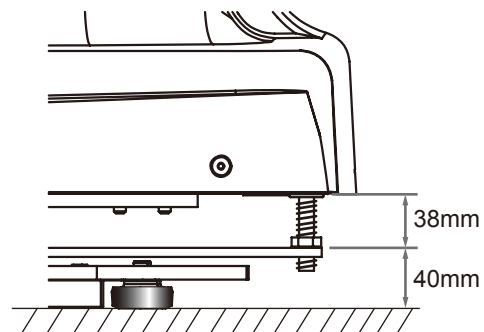
How to Adjust the Height of Rotatable Type

As a guide, adjust the height from the floor to base of the product as shown in the below illustrations.

For a shampoo bowl with neck height of 775 mm.



For a shampoo bowl with neck height of 800 mm.



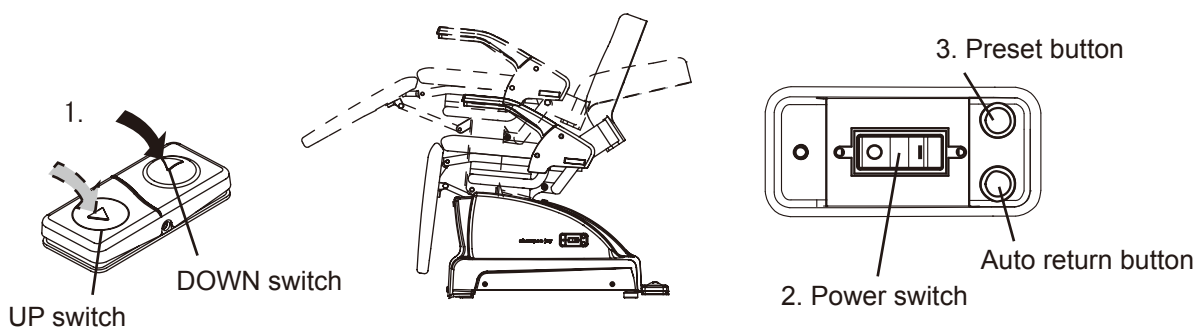
How to set the preset position

The standard preset position is preset in advance when the product is shipped from the factory. To change the preset position, follow the procedure below to set the new position.

1. With the UP/DN (DOWN) switch, raise or lower the seat to the desired height to set as the preset position.
2. Turn the power switch off.
3. Turn the power switch on while pressing the preset button located at the top right of the power switch. A "beep" setting sound will be emitted five seconds after turning the power switch on while pressing the preset button. [Setting complete]

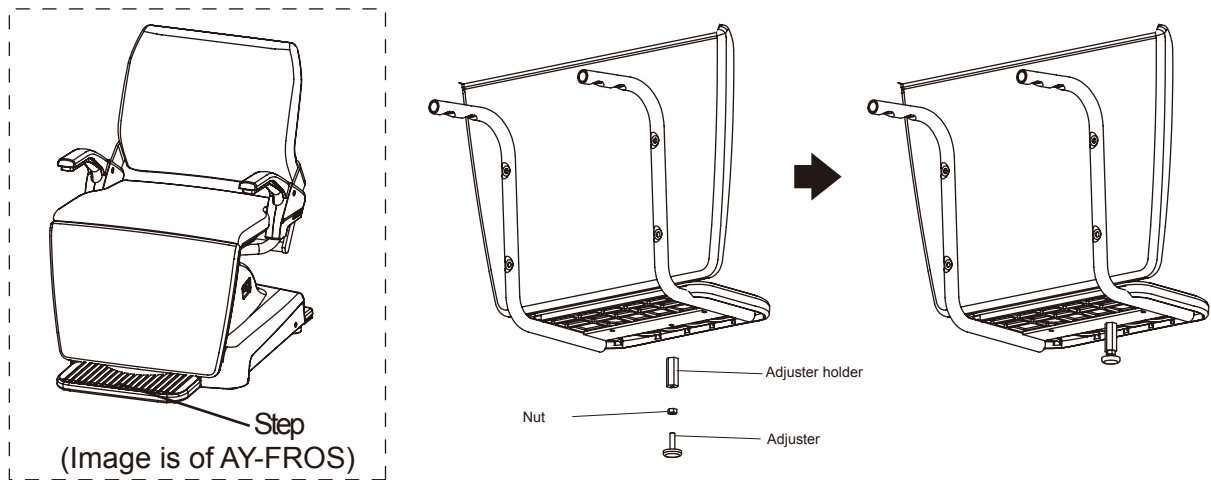
* The set position and the preset position may differ slightly depending on the characteristics of the seat itself and the environment it is being used in. After the setting is complete, use the DOWN switch to lower the seat to its initial position, press the preset button and check that the seat has been lifted to the set position.

* The preset button and automatic return button is used only when repairing the seat. The seat will not move even if these buttons are pressed.



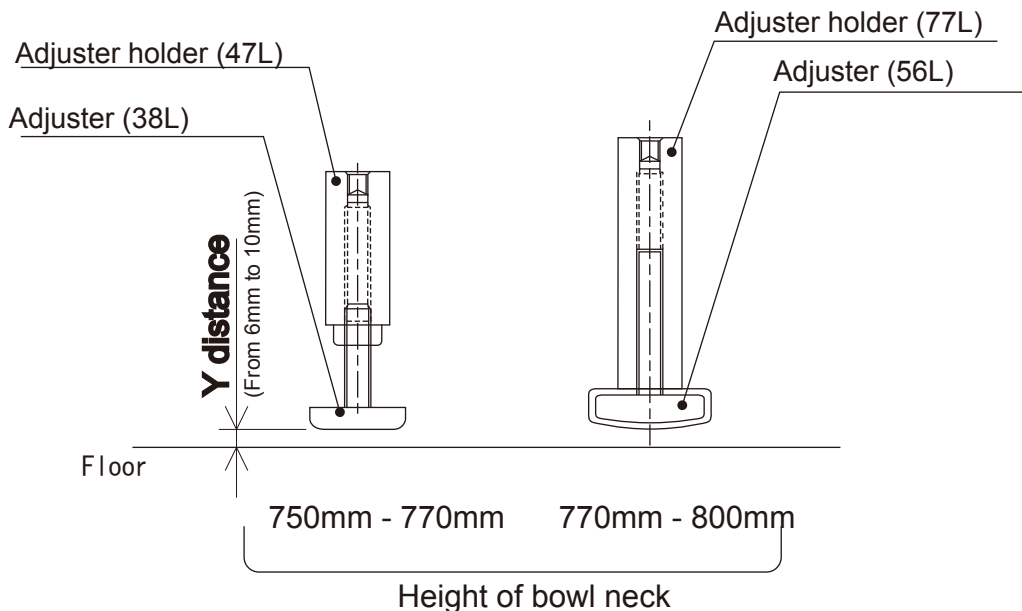
Attach the Adjuster of Step Part

(Step type : AY-FROS, AY-FROSB, AY-FRSS, AY-FRSSB)



Attach adjuster of step as shown above.

The **Y distance** which is from floor to base of adjuster should be 6 mm to 10 mm.



(Caution 1) Set the adjuster and adjuster holder according to height of bowl neck.

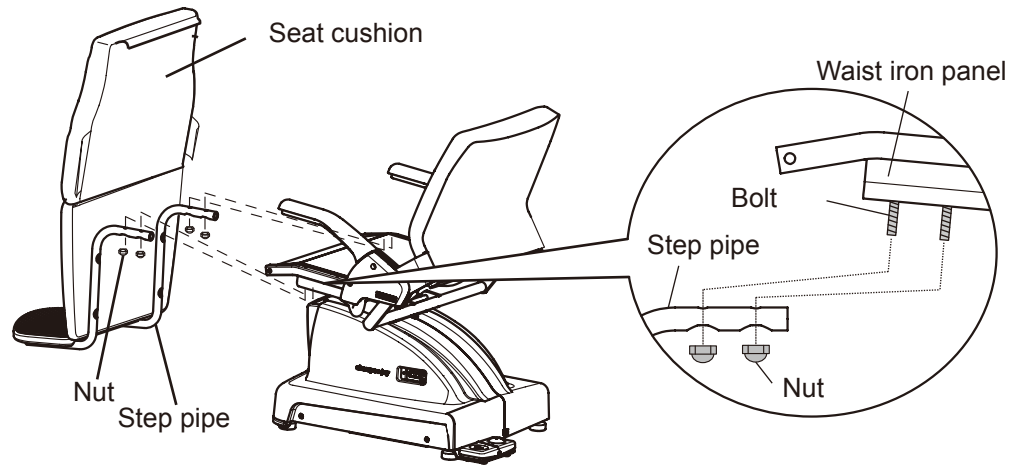
(Caution 2) In the case of 770mm, remove nut, tighten the adjuster and use.

For step type, each 2 kinds of adjuster and adjuster holder are supplied with the product. Keep and store the ones not in use for future when changing the height of the product.

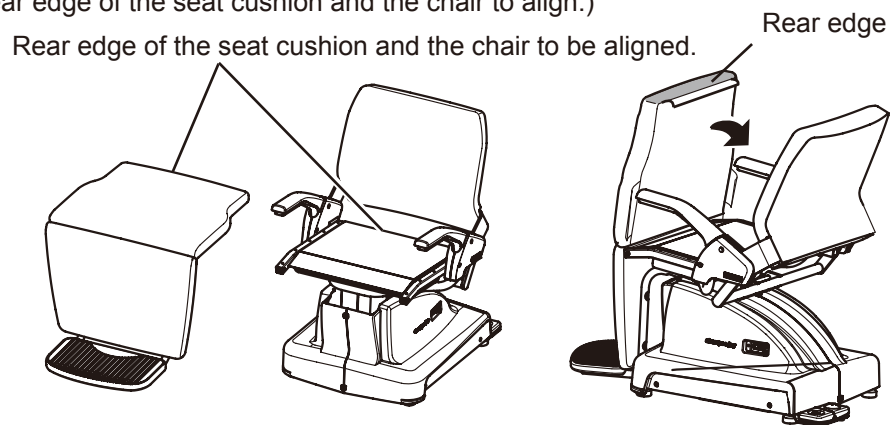
Attach Step Part

Caution: This is required only for non-rotatable step type.

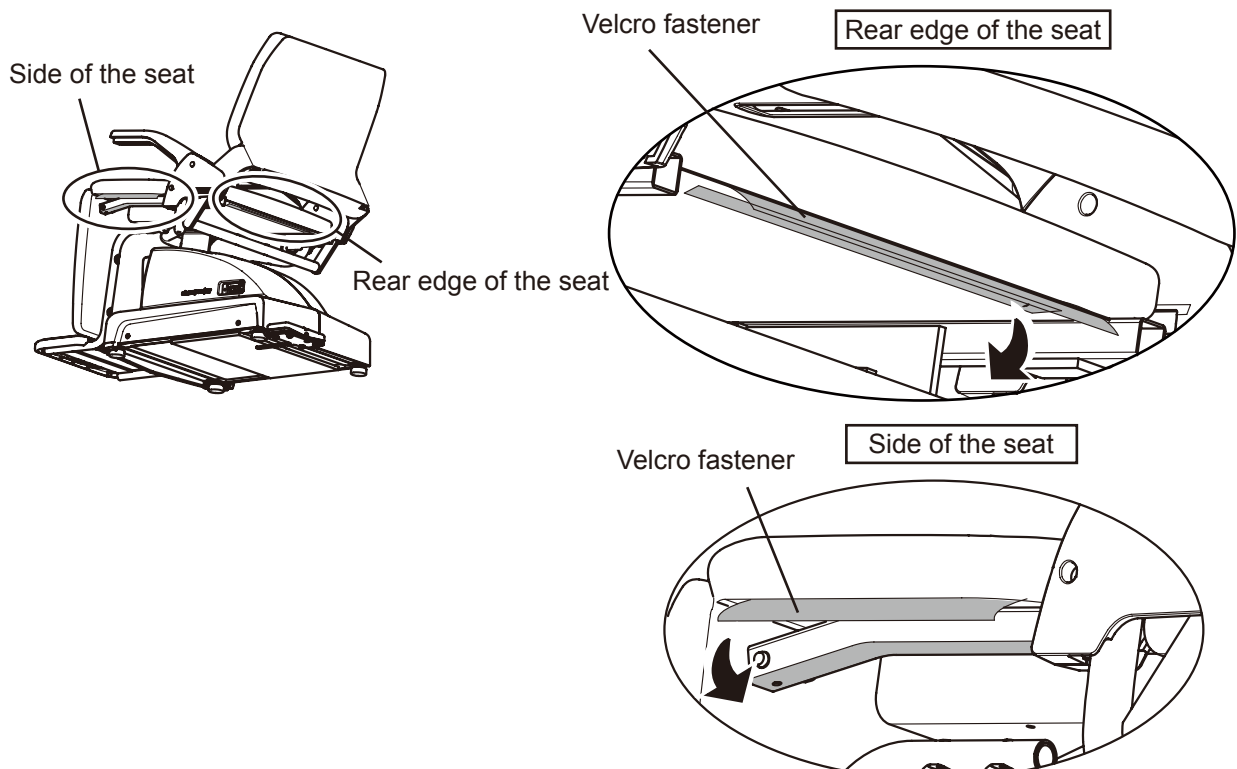
- (1) Attach step pipe to waist iron panel.
Insert the bolts of waist iron panel into the hole of the step type and tighten it with nuts at 4 positions.
(Use 13mm wrench.)



- (2) Place seat cushion on the chair.
(Be sure to make the rear edge of the seat cushion and the chair to align.)



- (3) Fold back and attach the velcro fastener on the both sides and rear side of the seat cushion.

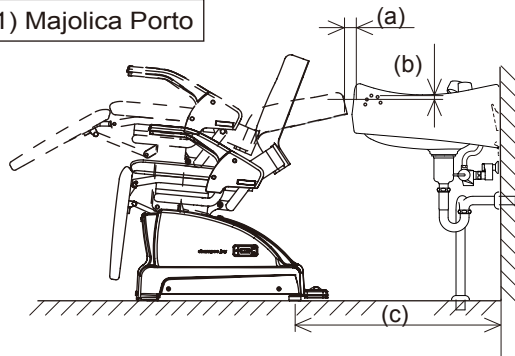


Caution: Be sure to do this for both sides.

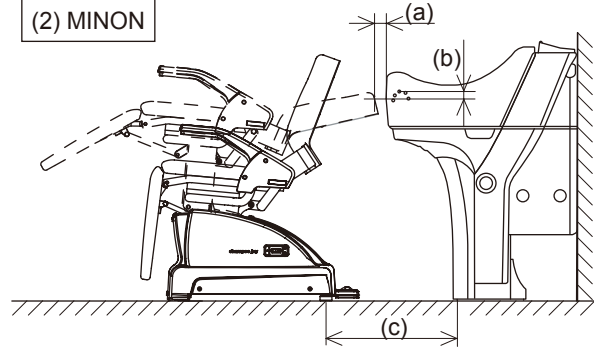
Correlation with Shampoo Bowl

As per the following illustrations, install the chair.

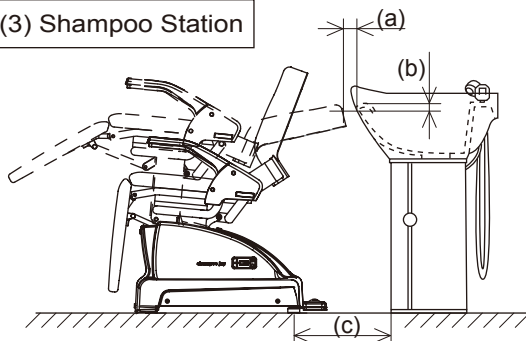
(1) Majolica Porto



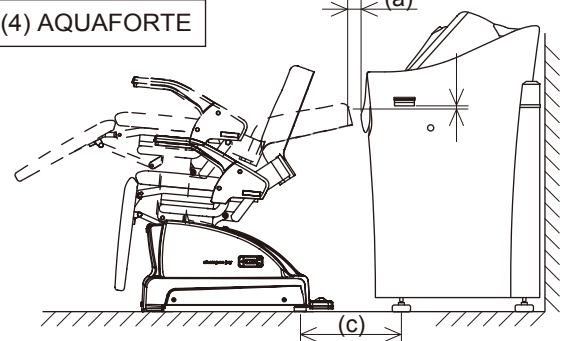
(2) MINON



(3) Shampoo Station



(4) AQUAFORTE



	Name of shampoo basin	(a) From top of the backrest to front end of the bowl	(b) Difference in height of backrest and neck (need to adjust the height of adjuster)	(c) From center of back side adjuster to front end of the base
(1)	Majolica Porto	20 (*Gap from top of the backrest to front end of neck core: 50) -> Guide: Gap that a showerhead can be inserted in.)	0 (Difference in height of backrest and neck core)	730 (*Gap between center of backside adjuster to wall)
(2)	MINON (*In the case of Wall mount type)	20 (*Top of the backrest to front end of neck core: 50) -> Guide: Gap that a showerhead can insert in.)	0 (Difference in height of backrest and neck core)	475
(3)	Shampoo Station	50	30	335
(4)	AQUAFORTE	10	0	305

(Unit: mm)

Note

- The above measurement is actual measured value. Including dimensional tolerance of shampoo bowl and chair upholstery, the actual measurement may slightly differ from the above from product to product.
- After installing the shampoo bowl, install the chair according to the measurements of (a) and (b) .
- Be careful of the position. If the position of shampoo bowl and chair is inappropriate, excessive load is applied to customer's hip or back which may make customers feel uncomfortable. Especially, when the gap between backrest and neck part of the shampoo bowl is narrower, customer's shoulder may touch the bowl or customer's back may become painful, so make sure to have enough gap.
- Always have at least two people to carry the chair by holding the bottom of the base part. Do not tilt, drag or push the product when carrying it. Failure to follow this instruction may damage the floor surface, deform and break the adjuster, leading to malfunction, product breakage or falling over injury. Always be sure to hold base part, as carrying the product by holding armrests and backrest etc. may cause product malfunction or breakage.

Check Operation

- Check and confirm that the chair is installed properly.
 - Check and confirm that all of the adjusters get to the floor and the chair does not rattle.
 - Check and confirm that shampoo bowl and chair are set as per the correlation instruction in this manual.
- Check the followings by raising and lowering the chair.

Inspection item	Inspection method	If the inspection results show defects
<input type="checkbox"/> Does the backrest, seat or armrest rattle?	<input type="checkbox"/> Slowly push the top of the backrest, the front end of the seat, or end of the legrest in each direction, and check whether they rattle.	<input type="checkbox"/> Rattling may cause incorrect operation or damage to the product, leading to falling accidents. Stop using the product and contact your closest dealer.
<input type="checkbox"/> Does the step rattle?	<input type="checkbox"/> Slowly push the step in each direction and check whether it rattle.	<input type="checkbox"/> Rattling may cause incorrect operation or damage to the product, leading to falling accidents. Stop using the product and contact your closest dealer.
<input type="checkbox"/> Is the product operating properly?	<input type="checkbox"/> Turn the power switch on and check that a warning sound is not emitted intermittently. <input type="checkbox"/> Check that the UP switch and DN (DOWN) switch operates normally. <input type="checkbox"/> Check that by pressing UP or DOWN foot switch for one second or more, beep sound is heard and the product move to the set position automatically. <input type="checkbox"/> Check that there is no rattle or abnormal noise when the seat is operating. <input type="checkbox"/> Check that the chair stops at the desired position for a fixed period and does not sink.	<input type="checkbox"/> Turn the power switch off, and turn the power on again after 5 seconds. If the warning sound continues to be emitted, there may be a malfunction in the position detector. Stop using the product and contact your closest dealer. <input type="checkbox"/> Customers may not be able to get on or off the seat safely. If the seat does not operate properly, contact your closest dealer. <input type="checkbox"/> Adjust the preset position according to "Setting the preset position" (Page 6 of Installation Instructions) and operate again. If the product still does not move properly, contact your closest dealer. <input type="checkbox"/> If there is rattle or abnormal noise when the seat is operating, contact your closest dealer. <input type="checkbox"/> If the chair does not stop for a fixed period and sinks, stop using the product and contact your closest dealer.
<input type="checkbox"/> Is there an abnormal odor or smoke from the product?	<input type="checkbox"/> Is there an abnormal odor or smoke from the product?	<input type="checkbox"/> Abnormal odor or smoke may cause abnormal operation or a fire. Stop using the product immediately and contact your closest dealer.
<input type="checkbox"/> Is there any oil leaking?	<input type="checkbox"/> Check that there is no oil around the base cover.	<input type="checkbox"/> Oil may be leaking from the hydraulic cylinder. Stop using the product immediately and contact your closest dealer.
<input type="checkbox"/> Is there any bending deformation to the adjuster?	<input type="checkbox"/> Check visually that there is no bending deformation to the adjuster. (Check by moving the adjuster cover up and down. After check, return the adjuster cover to initial position.)	<input type="checkbox"/> It may result in product breakage or falling injury. Stop using the product and contact your closest dealer.
<input type="checkbox"/> Is there any rust found on screw part of the adjuster?	<input type="checkbox"/> Check visually that there is no rust found on screw part of the adjuster. (Check by moving the adjuster cover up and down. After check, return the adjuster cover to initial position.)	<input type="checkbox"/> It may result in product breakage or falling injury. Stop using the product and contact your closest dealer.
<input type="checkbox"/> Is there no air entered in the hydraulic mechanism (If holding armrests or backrest when carrying the chair, air may enter into the mechanism.).	<input type="checkbox"/> When a load is applied to the seat at its lowest position, check that the chair will not sink.	<input type="checkbox"/> Customers may not be able to get on or off the seat safely. Contact your closest dealer.